

User Manual Book

Multipurpose Washer

Semplice Series

WS 1020 G

MODENA

Thank you for your trust in choosing MODENA products for your household needs. With your satisfaction as our priority, we constantly aim to deliver stylishly designed products equipped with state-of-the-art technology to assist you in your daily activities.

This is your guidebook containing everything you need to know about our product. Please reach out to us if you need further assistance or other information via our Customer Care or our official website www.modena.com.

MODENA

TABLE OF CONTENTS	PAGE
INTRODUCTION	2
● Part 1 : Safety Information	4
● Part 2 : Name of Parts	6
● Part 3 : Installation	7
● Part 4 : How to Use	9
● Part 5 : Maintenance	20
● Part 6 : Points of Attention	22
● Part 7 : Troubleshooting	23
● Part 8 : Specification	28

PART 1: SAFETY INFORMATION

READ THIS MANUAL CAREFULLY!

- This appliance is intended to be used in household and similar applications such as:
 - staff kitchen areas in shops, offices and other working environments;
 - farm houses;
 - by clients in hotels, motels and other residential type environments;
 - bed and breakfast type environments.
- This appliance is not intended for use by persons (including children) with reduced physical, sensory or mental capabilities, or lack of experience and knowledge, unless they have been given supervision or instruction concerning the use of the appliance by a person responsible for their safety.
- This appliance is for indoor use only, for household use only.
- To prevent the risk of electrical shock, do not immerse the unit, cord or plug in water or other liquid.
- Please unplug the power plug before cleaning and maintaining the appliance.
- Use a soft cloth moisten with mild soap, and then use a dry cloth to wipe it again.



GROUNDING INSTRUCTION

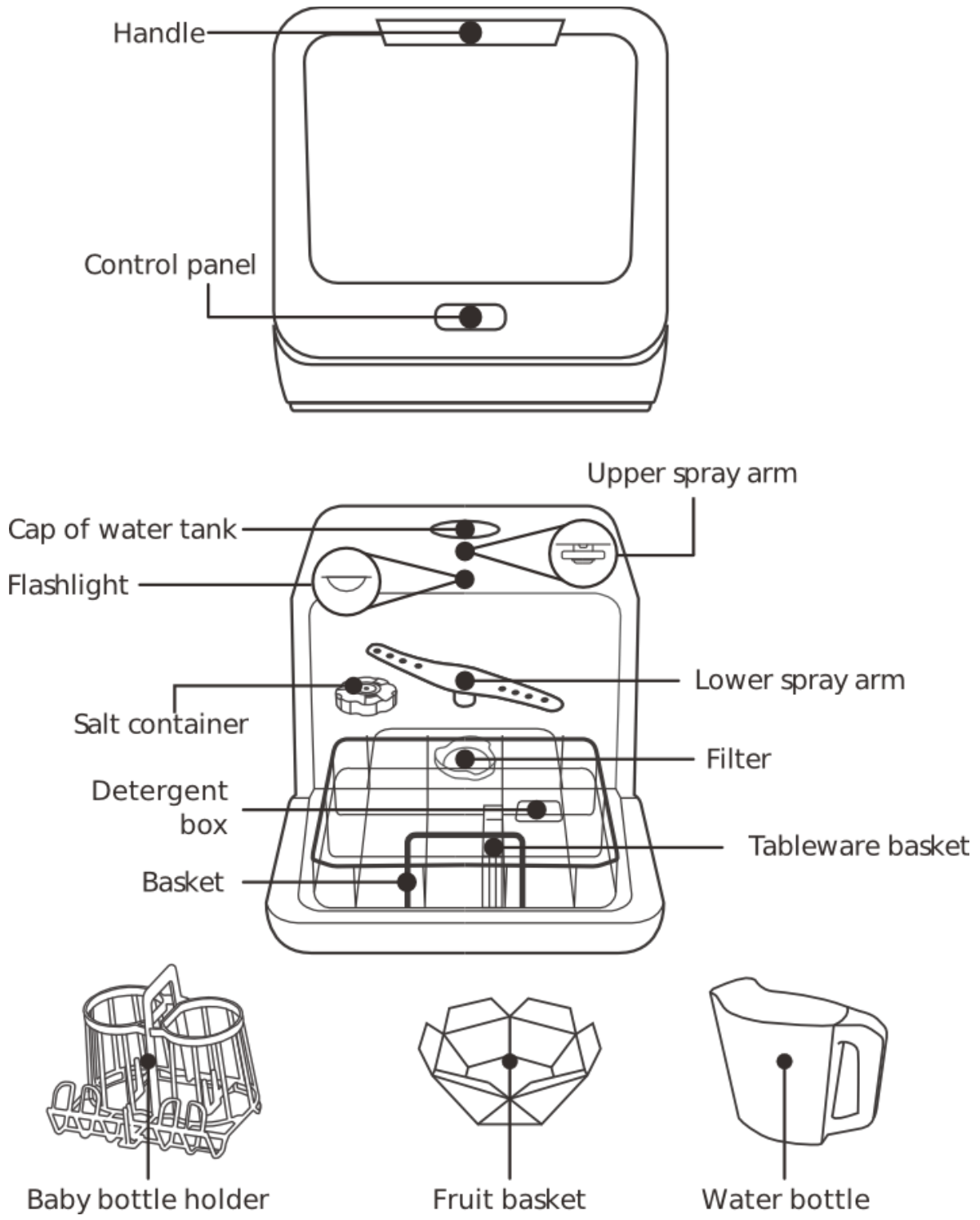
- This appliance must be grounded. When malfunction or breakdown occurs, grounding will reduce the risk of an electric shock by conducting the electric current to the ground. This appliance is equipped with a grounding-equipped conductor cord and a grounding plug.
- The plug must be plugged into an appropriate outlet that is installed and grounded in accordance with all local regulations and safety standards.
- Do not modify the plug provided with the appliance if it does not fit with the outlet. Have a proper outlet installed by a qualified electrician.
- Improper connection of the grounding-equipment conductor can result in the risk of electric shock. Check with a qualified electrician or service representative if you are in doubt whether the appliance is properly grounded.

GENERAL USE

- Do not harm, sit on, or stand on the door or the dish rack of the dishwasher.
- Do not operate your dishwasher unless all panels are properly in place.

- Open the door very carefully if the dishwasher is operating, there is a risk of water sprays out.
- Do not place any heavy objects on or stand on the door when it is open. The appliance could fall forward.
- When loading items to be washed: 1) Check and place sharp items to ensure they won't damage the door seal; 2) Warning: Knives and other utensils with sharp points must be loaded in the basket with their points down or placed in a horizontal position.
- Check if the detergent powder is empty after completion of the wash cycle.
- Do not wash plastic items unless they are marked as dishwasher safe or the equivalent. For plastic items without mark, check the manufacturer's recommendations.
- Use only detergent that exclusively designed for an automatic dishwasher.
- Never use soap, laundry detergent, or hand washing detergent for this appliance.
- Supervise the children to ensure that they do not play with the appliance.
- The door should not be left open, since this could increase the risk of appliance to fall forward.
- If the supply cord is damaged, it must be replaced by the manufacturer or its service agent or a similarly qualified person in order to avoid hazard.
- During the installation, the power supply and the cord must not be bent or crushed.
- Do not tamper the controls.
- The appliance has to be connected to the water sources using new hose sets and the old hose-sets should not be reused.
- The maximum number of place settings to be washed is 2.
- The maximum permissible inlet water pressure is 1 MPa.
- The minimum permissible inlet water pressure is 0.04 MPa.

PART 2: NAME OF PARTS



PART 3: INSTALLATION

Installation Preparation

- The installation position of dishwasher should be placed near the existing water inlet tap and drain outlet and power socket.
- One side of the sink cabinet should be chosen to facilitate the connection of drain hoses of the dishwasher.

Positioning the Appliance

- Position the appliance in the desired location. The back should stick to the wall behind it, and the sides to the adjacent cabinets or wall. The dishwasher is equipped with water inlet hose and drain hoses that can be positioned to the right or the left to facilitate proper installation.

Power Connection

WARNING!

For personal safety:

- DO NOT use an extension cord or an adapter plug for this appliance
- DO NOT under any circumstances, cut or remove the grounding connection from the power cord

Electrical requirements:

Please look at the rating label to know the rating voltage and connect the dishwasher to the appropriate power supply. Use the required fuse 10 amp, time delay fuse or recommended circuit breaker and provide separate circuit for this appliance only.

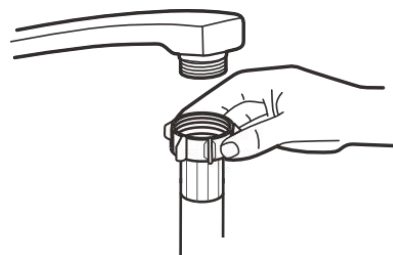
Electrical connection:

Ensure the voltage and frequency of the power source match with the rating plate. Only insert the plug into an electrical socket which is properly grounded. If the electrical socket is not suitable with the appliance's plug, replace the socket, rather than using an adapter as it could cause overheating and risk of fire.

Ensure that the grounding is proper before using the dishwasher!

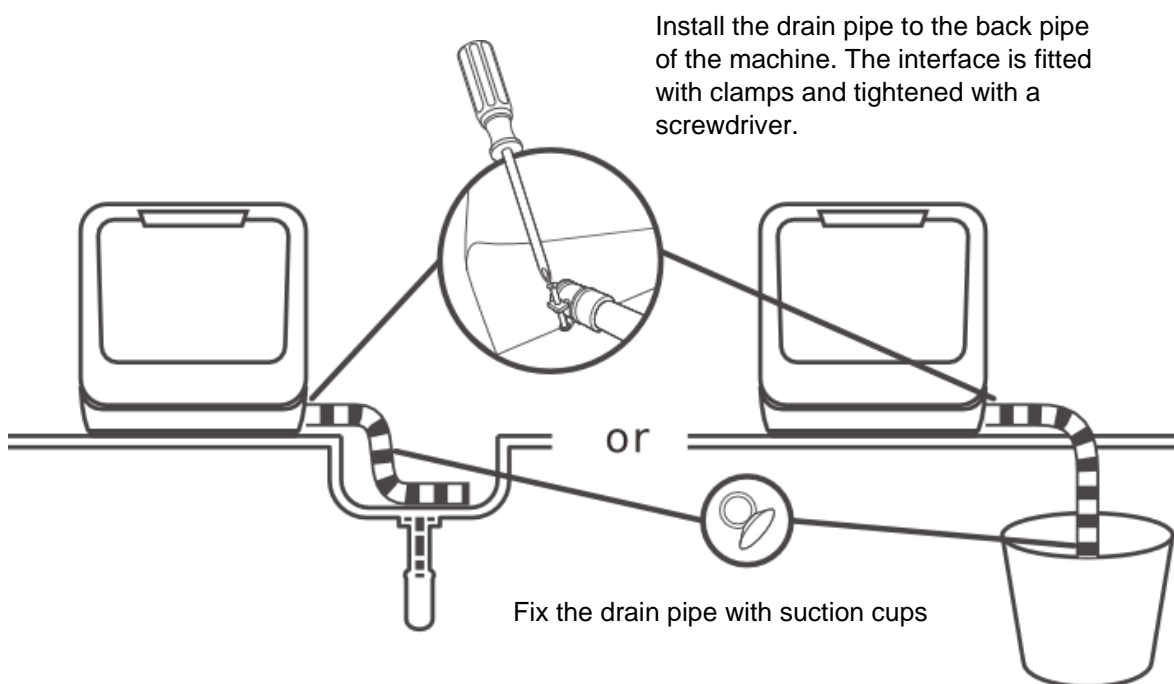
Water Connection

Connect the cold water supply hose to a threaded 3/4 inch connector and make sure that it is fastened tightly in place. If the water pipes are new or have not been used for an extended period of time, let the water run first to make sure that the water is clean and free of dirt. If this precaution is not taken, there is a risk that the water inlet can get blocked and damage the appliance.



Please Note: If the supplied hose does not fit your tap, please contact your local plumbing supply center where adapters are available for purchase.

Drain Hose Connection



The connection of the drain pipe: Put the end of the drain to a sink or bucket.

How to Drain Excess Water

If the sink is 1000 mm higher or more than the floor, the excess water in hoses cannot be drained directly to the sink. It will be necessary to drain the excess water from hoses into a bowl or suitable container that placed outside and is lower than the sink.

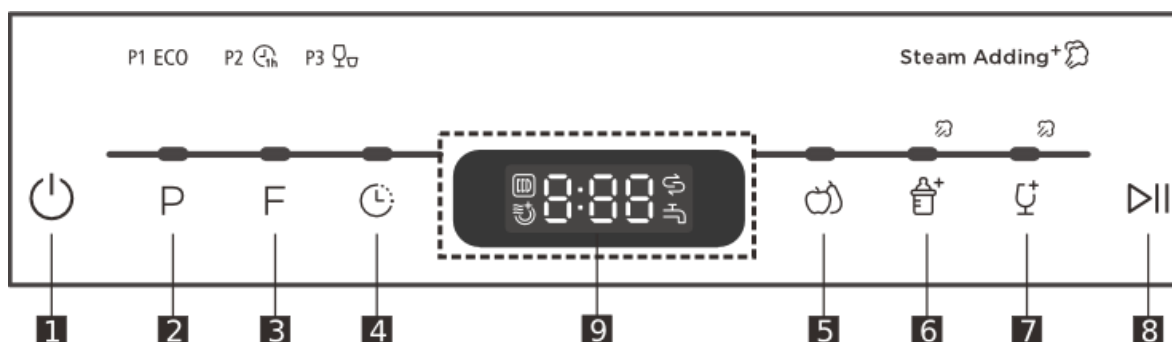
Water Outlet





Connect the water drain hose. The drain hose must be installed properly to avoid water leaks. Ensure that the water drain hose is not kinked or crushed.

Extension Hose

If you need a drain hose extension, make sure to use a similar drain hose. It must be no longer than 4 meters, otherwise the cleaning effect of the dishwasher could be reduced.

PART 4: HOW TO USE



1 Power	Turn on/off the appliance
2 Program	Program button: Press the button to select wash cycles P1 (ECO), P2 (1 hour ) , P3 (Rapid ) , Steam Adding
3 Function	 Storage: Get rid of smell, dampness, and mildew proofing  Extra dry: To select extra dry function
4 Delay	Select delay time 00-24h
5 Fruit Wash	Hot water: Suitable for washing fruit surfaces with certain sizes such as apple, grape, jujube Cold water: Suitable for fruits with weak surface such as strawberries
6 Baby Care	Suitable for washing baby bottles (Steam Adding)
7 Glass Wash	For lightly soiled loads, such as glasses and crystals (Steam Adding)
8 Start/Pause	Start or pause the dishwasher, the light will blink when program is starting.
9 Display	Display the time, function, etc.

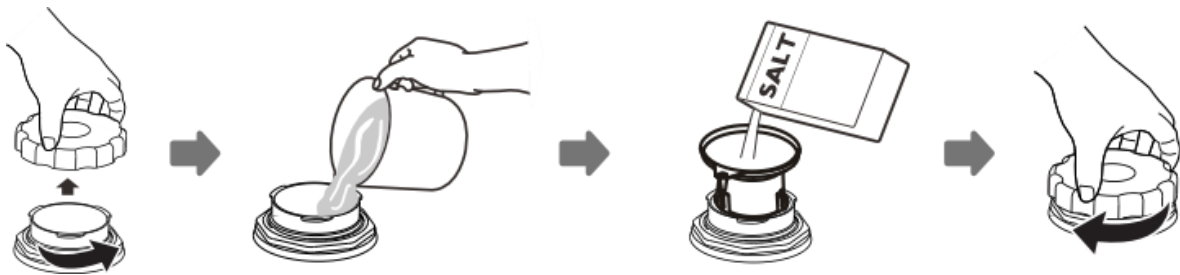
⚠ Steam adding: The washing process will include steaming if the salt indicator is off

Filling the Salt Container

If your model does not have salt container, you may skip this section. The salt container is located beneath the basket and should be filled as follows:

WARNING!

- Only use salt specifically designed for dishwashers use! Other types of salt that not specifically designed for dishwasher use, especially table salt, will damage the water softener. In case of damage caused by the use of unsuitable salt, the manufacturer does not give any warranty nor is liable for any damage.
- Only fill the salt before running a cycle. This will prevent any grains of salt or salty water that might spill, remain on the bottom of the machine for any period of time, which may cause corrosion.



- A. Remove the basket and remove the cap from the salt container by rotating it counter clockwise.
- B. Before the first wash, add 1 liter of water to the salt container of your machine.
- C. Place the end of the funnel (supplied) on the hole and add about 0.13 kg of salt. It is normal when a small amount of water come out from the salt container.
- D. After filling the container, place the cap tightly by rotating it in clockwise direction.
- E. Usually, the salt warning light will turns off within 2-6 days after the salt container has been filled.
- F. A washing program should be started (Rapid program suggested) immediately after filling the salt container. Otherwise the filter system, pump or other important parts of the machine may get damaged by the salt water. This will cancel the product warranty.

NOTE:

- The salt container must be refilled only when the salt indicator light in the control panel lights up. Depending on how fully the salt dissolves, the salt indicator light may still on even though the salt container has been filled. If there is no indicator light in the control panel (for some models), you can judge when to refill the salt into the container by the cycles that the dishwasher had run.
- If there are spills of the salt, running a soak or a rapid program is a must to remove the excess salt.

Adjusting Salt Consumption

Please follow these steps below to adjust the salt consumption.

Step 1: Enter the setting

Close the door, within 60 seconds after turned on, press the Start/Pause button and hold for 5 seconds, the machine will enter the salt setting mode.

Step 2: Select a certain level of salt consumption

Press the Start/Pause button to select the proper set according to your local environment, the sets will change in the following sequence: H1->H2->H3->H4->H5->H6.

Step 3: Exit the setting

If there is no operation within five seconds, the machine will exit from the setting mode and turns to standby status.

There are 6 levels of salt consumption. It is recommended to select the level according to the table below:

WATER HARDNESS		Setting on the water softener	Digital display	Salt consumption (g/cycle)
°dH ¹⁾	Mmol/l ²⁾			
0 - 5	0.0 - 0.94	1	H1	0
6 - 11	1.0 - 2.0	2	H2	4
12 - 17	2.1 - 3.0	3 ³⁾	H3	8
18 - 22	3.1 - 4.0	4	H4	13
23 - 34	4.1 - 6.0	5	H5	20
35 - 55	6.1 - 9.8	6	H6	40

1) German unit of measurement for water hardness

2) Millimole, international unit of measurement for water hardness

3) Default factory setting

Contact your local water institution for information on the water hardness

Filling The Basket

Recommendation:

- Consider buying tableware that identified as dishwasher safe.
- Use a mild detergent that is safe for dishes. If necessary, seek further information from the detergent manufacturers.
- For particular items, select a program with the lowest possible temperature.
- To prevent damage, do not take glass and cutlery out of the dishwasher immediately after the program just ended.

Suitability of use

Not suitable:	Limited Suitability:
<ul style="list-style-type: none">● Cutlery with wooden, horn, or mother-of-pearl handles● Plastic items that are not heat resistant● Older cutleries with glued parts that are not heat resistant● Bonded cutlery items or dishes● Pewter or copper items● Crystal glass● Steel items subject to rusting● Wooden items● Items made from synthetic fibers	<ul style="list-style-type: none">● Some glasses may look dull after a large number of washes.● Silver and aluminum have a tendency to discolor during the washing process.● Glazed patterns may fade if washed frequently.

Attention before and after filling the baskets

(For the best performance of the dishwasher, follow these guidelines. Features and appearance of baskets and cutlery baskets may vary from your model.)

Scrape off any large food particles. Soften burnt food particles in pans. It is not necessary to rinse the dishes under running water. Place objects in the dishwasher in following way:

- Items such as cups, glasses, pots/pans, etc. should face downwards.
- Curved items or those with niche should be placed on a tilted position so that water can run off.
- All tableware are neatly arranged and cannot fall easily.
- All tableware are placed in the way that the spray arms can rotate freely during the washing.

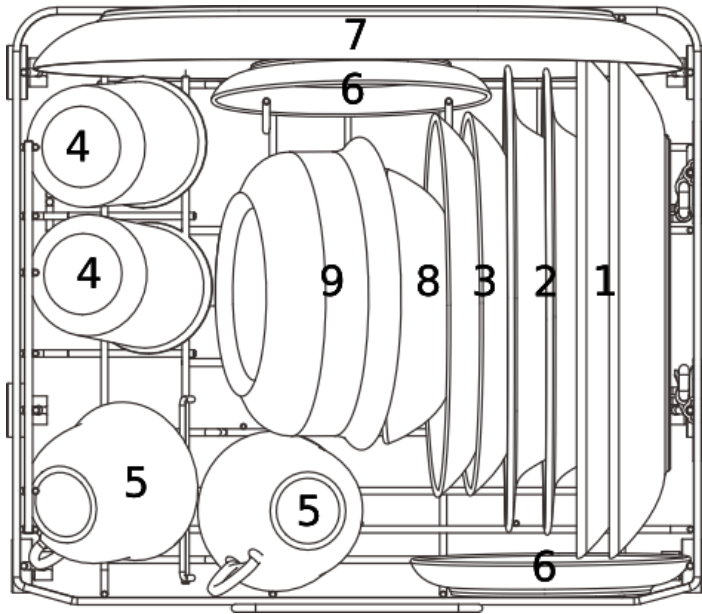
NOTE:

Very small items should not be washed in the dishwasher as they could fall easily from the basket

- Insert hollow items such as cups, glasses, pans etc. facing downwards so the water does not get collected in the cavity.
- Plates and cutleries must not lie on or cover each other.
- To avoid damage to glasses, they must not touch each other.
- Long bladed knives stored vertically are dangerous!
- Long and/or sharp items of cutlery such as carving knives must be positioned horizontally in the basket.
- Please do not overload your dishwasher. This is important for good results and for reasonable energy consumption.

Filling The Basket

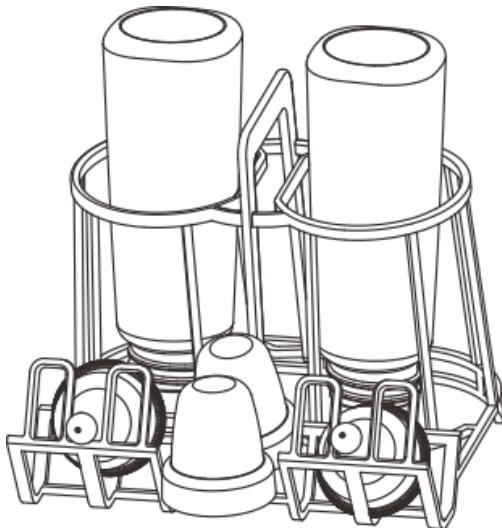
Place and set the dishes and cookware so they will not get moved by the water spray.



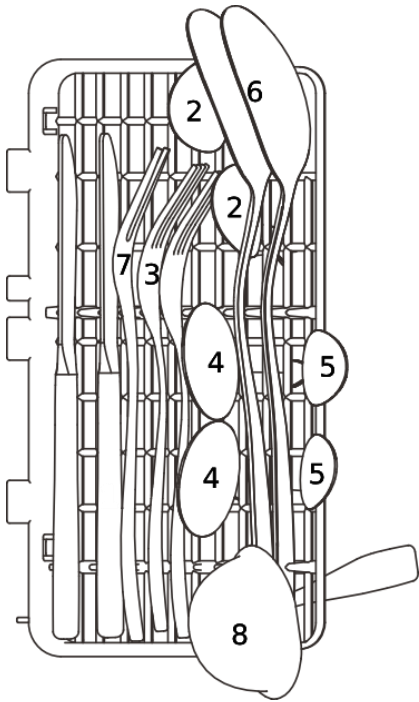
Number	Item
1	Dinner plate
2	Soup plate
3	Dessert dish
4	Glass
5	Cup
6	Saucer
7	Oval plate
8	Small serving bowl
9	Medium serving bowl

Filling The Baby Bottle Holder

Set your baby bottle as follow:



Filling The Cutlery Basket



Number	Item
1	Knife
2	Soup spoon
3	Fork
4	Dessert spoon
5	Teaspoon
6	Serving spoon
7	Serving fork
8	Gravy ladle

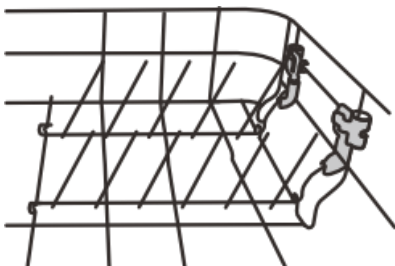
For personal safety and the best result, make sure to place the cutlery in the basket as follows:

- They do not scatter.
- Place cutlery with the handle on the bottom.
- But place knives and other potentially dangerous utensils with the handle on top.

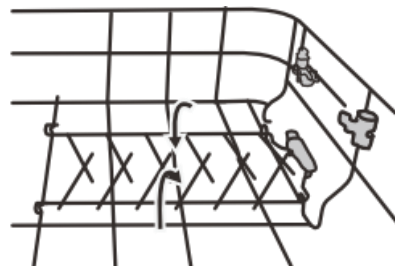
Folding Back The Rack Shelves

The spikes are used for holding plates and platters. They can be lowered to make more room for larger items.

Raise upwards



Fold downwards



Filling The Detergent

WARNING!

- Only use detergent specifically designed for dishwashers. Never use any other detergents as it will damage the appliance
- Dishwasher detergent is corrosive! Keep out of reach from the children

Concentrated Detergent

Based on their chemical composition, detergents can be divided in two basic types:

- Conventional, alkaline detergents with caustic components.
- Low alkaline concentrated detergents with natural enzymes.

The use of Normal washing program in combination with concentrated detergent reduces pollution and is good for your dishes.

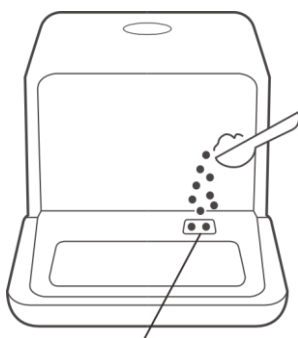
Detergent Tablets

Detergent tablets of different brands dissolve at different speeds. For this reason some detergent tablets cannot dissolve and maximize their full cleaning power with short programs. Therefore, please use long programs when using detergent tablets, to ensure the complete removal of detergent residuals.

Detergent

The detergent must be refilled before the start of each wash cycle following the instructions provided in the Wash Cycle Table. Your dishwasher uses less detergent than conventional dishwasher. Generally, only one tablespoon of detergent is needed for a normal wash load. More heavily soiled items need more detergent. Always add the detergent before starting the dishwasher, otherwise it could get damp and will not dissolve properly.

Adding Detergent









Insert detergent into the designated box.

Note: Fruit wash program should not use detergent

Dishwasher Programs

Wash Cycle Table

The table below shows which programs are best for the levels of food residue and how much detergent is needed. It also shows various information about the programs.

Program	Cycle Information	Description	Deter- gent (g)	Time (min)	Energy (kWh)	Water (L)
ECO (*EN50242)	This is the standard program, it is suitable to clean normally soiled tableware and it is the most efficient program in terms of its combined energy and water consumption.	Wash (55°C) Rinse Rinse (68°C) Drying	6	160	0.43	5
 1 Hour	For lightly soiled dishes that do not need excellent drying efficiency.	Wash (50°C) Rinse Rinse (65°C) Drying	6	60	0.4	5
 Rapid	A quick wash for lightly soiled dishes.	Wash (45°C) Rinse Rinse (55°C)	6	29	0.35	5
 Fruit wash (Hot)	Suitable for washing fruit surfaces of certain sizes, such as apple, grape, jujube. Not suitable for fruits with a weak surface	Wash (36°C) Rinse	A little soda water	12	0.2	5
 Fruit wash (Cold)	suitable for fruits with a weak surface, such as strawberries	Rinse	-	6	0.01	5
 Baby care	Suitable for washing baby bottles	Wash(69°C) Rinse Rinse(70°C) Drying	6	120	0.5	5
 Glass	For lightly soiled dishes, such as glasses, crystal and fine china	Wash(50°C) Rinse Rinse(65°C) Drying	6	90	0.4	5

NOTE:

EN 50242: This program is the test cycle. The information for comparability test in accordance with EN 50242, are as follows: The power consumption when turned off is 0.49W, and on standby mode is 0.49W

Turning On The Appliance

Starting a wash cycle:

1. Draw out the basket (see "Loading the Basket").
2. Pour in the detergent (see "Filling the detergent").
3. Insert the plug into the socket. The power supply is 220-240VAC 50 Hz, the specification of the socket is 10A 250 VAC.
4. Press the power button to turn on the appliance,
5. Connect the inlet hose to the tap, make sure that the water supply is turned on to full pressure, or add water to the tank manually.
6. Select a suitable program according to the "Wash Cycle Table";
7. If a program is selected, the indicator light will turn on. Then press the Start/Pause button, to start the washing process.

NOTE:

When you press the Start/Reset button to pause the washing process, the dishwasher will ring every minute until you press the Start/Reset button to start again.

Changing The Program

Premise: You can modify the washing program, if the dishwasher have only worked for a short time. Otherwise, the detergent may have been released, and the appliance has drained the rinse water. In this case, the cycle must be restarted.

1. Press Start/Pause Button to pause the machine when the door is closed,
2. Press Program Button more than three seconds the machine will cancel the program and be in standby state, then you can change the program to the desired cycle setting.

The Display window shows the state of the dishwasher:

- 1) Display window shows "-:--" -----> standby;
- 2) Display window shows "H:MM" and not blinking -----> pause;
- 3) Display window shows "H:MM" and blinking -----> run;
- 4) Display window shows "END" -----> end.

NOTE:

If you open the door during the washing process, the machine will pause. When you and press the Start/Pause Button, the machine will keep on working after 10 seconds.

If your model has memorize function, the machine will go on to finish the selected program after the power cut.

Adding Dish

A forgotten dish can be added any time before the detergent dispenser opens. If this is the case, follow the instructions below:

1. Press the Start/Pause button
2. Open the door.
3. Add forgotten dishes.
4. Close the door.
5. Press the Start/Pause button, the dishwasher will run again.



At The End Of Wash Cycle

When the working cycle has finished, the buzzer will sounds for 8 seconds and stops. Turn off the appliance using the ON/OFF button, shut off the water supply and open the door of the dishwasher. Wait for a few minutes before taking out the dishes to avoid burns because the dishes and utensils are still hot and more susceptible to break. Opening the door also let the dishes dry better.

- **Turn Off the Dishwasher**

Turn off the dishwasher by pressing the ON/OFF button. Turn off the water tap!

- **Open the door carefully**

Hot dishes are sensitive to knocks. The dishes should be cooled down for 15 minutes before taking them out from the appliance. Open the dishwasher's door, let it open for a few minutes before removing the dishes. The dishes will be cooler and the drying will be better.

- **Unloading the dishwasher**

It is normal if the dishwasher is wet inside.

WARNING:

It is dangerous to open the door when the washing process runs, because the hot water may give you burns.

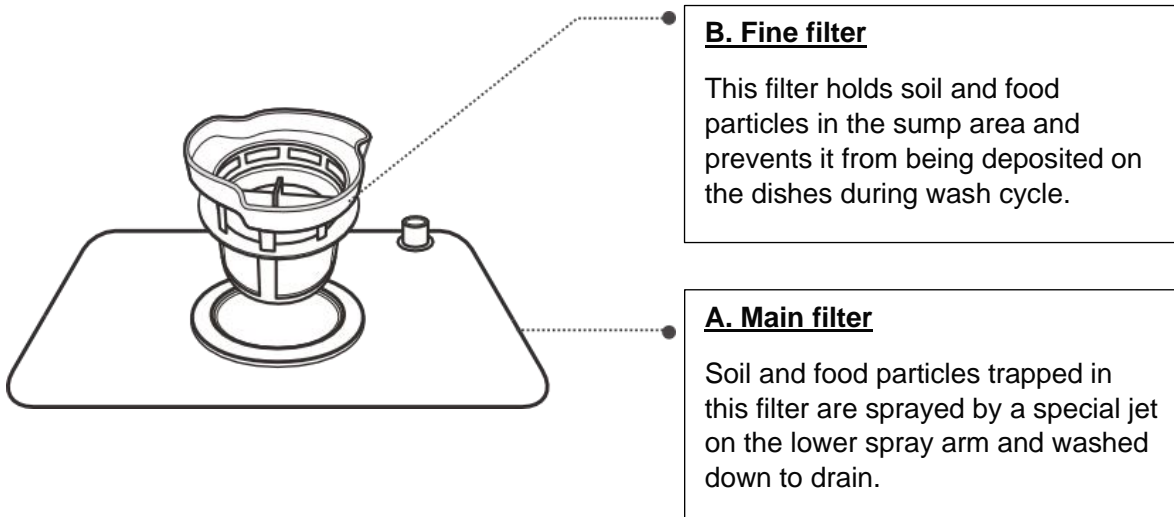
Forced Drain Operation

In standby mode, you can press and hold “Baby care” button + “Glass wash” button for 3 seconds together to drain the water tank.

PART 5: MAINTENANCE

Filter System

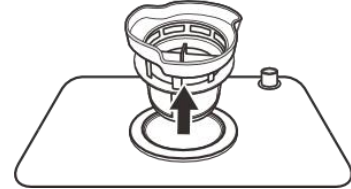
The filter efficiently separate food particles from the water, allowing the water to be circulated during the cycle. For best results and performance, the filter must be cleaned regularly. For this reason, it is a good idea to remove the larger food particles trapped in the filter after each wash cycle by rinsing the filter and the cup under running water. To remove the filter, pull the filter cup handle upward.



Step 1: Rotate the filter counterclockwise, then lift it up.



Step 2: Lift the fine filter from the main filter.



NOTE:

Re-install the filter in reverse order. The entire filter assembly should be cleaned once a week.

- Check the filters from clogging after every usage.
- By unscrewing the coarse filter, you can open the filter system. Remove any food particles and clean the filters under running water.

WARNING:

When cleaning the filters, don't knock on them. Otherwise, the filters could get contorted and the performance of dishwasher could be decreased.

Product Maintenance

The control panel can be cleaned by using a lightly dampened cloth. After cleaning it, make sure to dry it thoroughly. For the exterior part, use a good appliance polish wax. Never use sharp objects, scouring pads or harsh cleaners on any part of the dishwasher.

Cleaning the Door

To clean the edge around the door, only use a soft and warm damp cloth. To avoid water penetrates into the door lock and electrical components, do not use a spray cleaner.

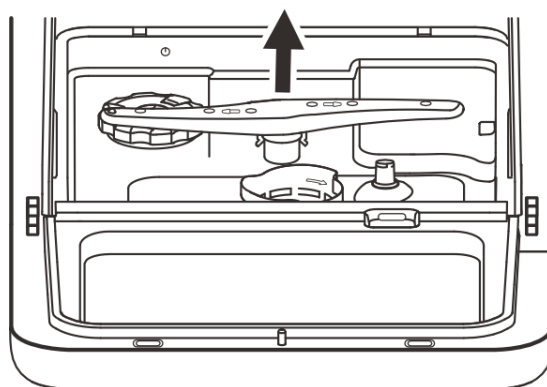
WARNING:

Never use a spray cleaner to clean the door panel as it may damage the door lock and electrical components.

Cleaning the Spray Arms

The spray arms can be removed easily for periodic cleaning of the nozzles to prevent possible clogging. Wash them under running water and carefully replace them in their place. Check whether their rotary movement is not impeded.

Hold the middle of the spray arm, pull it upwards to release it. Wash the arms under running water and place it back carefully. After reassembly, check if the spray arms can rotate freely. If not, check whether it has been installed properly.



PART 6: POINTS OF ATTENTION

How to Keep Your Product In Shape

After every wash

After every usage, turn off the water supply to the appliance and leave the door slightly open so the moisture and odors are not trapped inside.

Remove the plug

Before cleaning or performing maintenance, always remove the plug from the socket.

No solvents or abrasive cleaning

To clean the exterior and rubber parts of the dishwasher, do not use solvents or abrasive cleaning products. Only use a cloth with warm soapy water.

To remove spots or stains from the surface of the interior, use a dampened cloth and a little vinegar, or a cleaning product made specifically for dishwashers.

Moving the appliance

If the appliance must be moved, try to keep it in the vertical position. If absolutely necessary, it can be positioned on its back.

Disposal of your old appliance



The symbol on the product or on its packaging indicates that this product may not be treated as household waste. Instead it shall be handed over to the applicable collection point for recycling electronic equipment. By ensuring this product is disposed correctly, you will help to prevent potential negative consequences for the environment and human health, which could be caused by inappropriate waste handling of this product. For more detailed information about recycling of this product, please contact your local city office, your household waste disposal service or the shop where you purchased the product.

PART 7: TROUBLESHOOTING

Please review the chart below before contacting the call center:

Problem	Possible Causes	Recommended Action
Dishwasher doesn't start	Fuse blown, or the circuit breaker tripped.	Replace the fuse or reset circuit breaker. Remove other appliances sharing the same circuit with the dishwasher.
	Power supply is not turned on.	Make sure the dishwasher is turned on and the door is closed. Make sure the power plug is properly plugged into the wall socket.
	Error code:E1; Water pressure is low	Check if the water inlet hose is connected properly and the water sources is turned on.
	Door of dishwasher not properly closed.	Make sure to close the door properly and latch it.
Water not pumped from dishwasher	Twisted or trapped drain hose.	Check the drain hose.
	Filter clogged	Check the coarse filter

Problem	Possible Causes	Recommended Action
	Kitchen sink clogged	Check the kitchen sink to make sure it is draining well. If the problem is the kitchen sink that is not draining, you may need a plumber rather than a serviceman for dishwashers.
Suds in the tub	Wrong detergent	Use only the dedicated dishwasher detergent to avoid suds. If suds exist in the washer. Open the door for 20-30 minutes to allow the foam to evaporate. If the foam still exists in the liner. Add 1.5L of water to the liner, close the dishwasher door and run a forced drain to drain it with the water. Repeat the operation until the foam is cleared.
Stained interior	Detergent with colorant may have been used	Make sure that the detergent has no colorant
White film on the inside surface	Hard water minerals	To clean the interior, use a damp sponge with dishwasher detergent and wear rubber gloves. Never use any other cleaner than dishwasher detergent. Otherwise, it may cause foaming or suds
There are rust stains on cutlery	The affected items are not corrosion resistant.	Avoid washing items that are not corrosion resistant in the dishwasher
	A program was not run after dishwasher salt was added. Traces of salt have gotten into the wash cycle	Always run a wash program without any tableware after adding salt.
	The cap of the salt container is loose.	Check whether the salt container is properly closed.

Problem	Possible Causes	Recommended Action
Knocking noise in the dishwasher	A spray arm is knocking against an item in a basket	Interrupt the program and rearrange the items that obstructing the spray arm.
Rattling noise in the dishwasher	Items of crockery are loose in the dishwasher.	Interrupt the program and rearrange the items of crockery
Knocking noise in the water pipes	This may be caused by on-site installation or the cross-section of the piping.	This has no influence on the dishwasher function. If in doubt, contact a qualified plumber.
The dishes are not clean	The dishes were not loaded correctly.	See notes in "Loading & unloading your dishwasher".
	The program was not powerful enough.	Select a more intensive program
	Not enough detergent was dispensed	Use more detergent, or change your detergent.
	Items are blocking the movement of the spray arms	Rearrange the items so that the spray can rotate freely.
	The filter combination is not clean or is not correctly fitted in the base of wash cabinet. This may cause the spray arm jets to get blocked.	Clean and/or fit the filter correctly. Clean the spray arm jets.
Glassware look muddy	Combination of soft water and too much detergent	Use less detergent if you have soft water and select a shorter cycle to wash the glassware.
White spots appear on dishes and glasses.	Hard water area can cause white spots.	Add more detergent.

Problem	Possible Causes	Recommended Action
Black or gray marks on dishes	Aluminum utensils have rubbed against dishes	Use a mild abrasive cleaner to eliminate those marks.
The dishes are not dry	Improper loading	Load the dishwasher as suggested in the directions.
	Dishes are removed too soon	Do not empty your dishwasher immediately after washing. Open the door slightly so the steam can come out. Take out the dishes until the inside temperature is safe to be touched. Unload the lower basket first to prevent the water dropping from the upper basket.
	Wrong program has been selected.	Shorter program has lower temperature, thus decreasing the cleaning performance. Choose a program with longer washing time.
	Use of cutlery with a low-quality coating	Water drainage gets more difficult with these items. Cutlery or dishes of this type are not suitable for washing in the dishwasher.

Error Codes

When malfunction occurs, the appliance will show error codes to warn you:

Codes	Meaning	Possible Causes
E1	Longer inlet time	A flow meter, drain valve, or pump failure, it should be repaired by a qualified worker.
E3	Not reaching required temperature	Heating tube or thermistor failure, it should be repaired by a qualified worker.
E4	Overflow	Some element of dishwasher leaks
E9	Touch button adhesion	Water or other material in the key area causes E9 or it should be repaired by a qualified worker.
Ed	Communication failure	It should be repaired by a qualified worker
EF	Water tank float failure	It should be repaired by a qualified worker
EA	Steam generator failure	It should be repaired by a qualified worker

PART 8: SPECIFICATION

Model	WS 1020 G
Type	Tabletop
Place settings	2
Color	Grey (G)
No. of programs	6
Spray arms	Upper & Lower
Water consumption (Liter)	5
Delay start function (hours)	1-24
Control panel	LED touch
Energy rating	A+
Noise level (dBA)	58
Power Input (Watt)	730-860
Voltage (Volt)	220-240
Frequency (Hz)	50
Inlet water pressure (MPa)	0.04-1.0
Product dimension W x D x H (mm)	435x420x435
Product weight (kg)	14

*) S = Stainless, R = Red, C = Cream, O = Orange, N = Green, U = Blue, W = White, V = Silver, G = Grey, L = Black

Design and specification can change without prior notice to improve the quality of the product. The pictures in this manual are schematic and can be different with your actual product. The values on label or in other documents are according to laboratory test and relevant standards. Values can vary depending on the actual operational and environmental condition of the product.

