

User Manual Book

Downdraft Hood

Avanzare Series
DX 9943

TABLE OF CONTENTS

SAFETY & WARNING	3
Electrical shock hazards	4
FEATURES	5
INSTALLATION	6
Installation preparation:	6
HOW TO USE	9
Slide control	9
Functional Operation	9
MAINTENANCE	12
Regular treatment	12
Monthly treatment for grease filters	12
Annual care for carbon filters	12
Important	13
Grease mesh filters	13
Attaching aluminum filters	15
TROUBLESHOOTING	17
SPECIFICATION	18

This guide book explains everything you need to know about your new product. Please contact our Customer Care should you need further assistance through www.modena.com.

SAFETY & WARNINGS

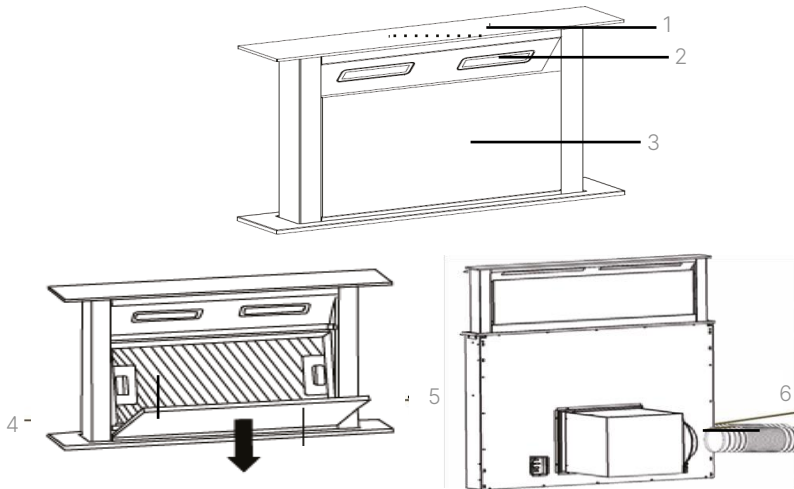
- Do not allow children to operate the unit. This exhaust hood is designed for home use only, not suitable for the environmental condition, bake shop, barbecue, and other commercial purposes.
- The exhaust hood should be cleaned periodically so that its power is maintained.
- Clean the exhaust hoods according to the instructions contained in this book and keep it away from the danger of being burnt.
- No direct grilling on a gas stove.
- Keep your kitchen remains good circulation.
- Before connecting the unit to a power source, make sure the power cord is in good shape. If there is damage to the power cord, the replacement must be performed by qualified personnel or contact the MODENA Service Center for replacement process.
- The room should have good ventilation during the use of exhaust hood on gas stoves or other fuels.
- The exhaust hood waste pipe should be separated with an air-duct.
- Regulations regarding the air exhaust must be met.
- The unit is not intended to be used by persons (including children) with a physical, sensory, or mental disability, or lack of experience and knowledge unless they have been given supervision or instructions concerning the use of the appliance by the person who is responsible for their safety.
- Children should be supervised to ensure that they are not playing with the unit.
- Do not strike a fire under the sucker of the exhaust hood.
- The exhaust hood is not aimed to be installed on top of the stove that had more than four burners.
- Make sure the hood is turned on after a while to allow the air around the cooking area to circulate properly and make sure the hood is turned off after this process.
- Periodically inspect the filter and oil reservoir. Make sure that the filter is in clean and good condition and make sure the oil reservoir is not exceeding the specified limit.

- If you smell burnt / burnt smell from the hood, immediately turn off the hood and contact the MODENA Service Center.
- Perform a routine service on your stove every 3 (three) months, because if there are problems / problems with your exhaust hood, it can be immediately identified and repaired. Contact MODENA Service Center

Electrical shock hazards

- Connect the unit only to a grounded power socket correctly. If you are in doubt, ask advice from an experienced technician who is suitably qualified.
- The failure to follow these instructions may cause electric shock, fire, or other hazards that are fatal.

FEATURES

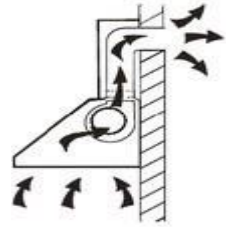


- * Images are a general description and not necessarily the same as the product you receive.
- * Features and completeness depending on product type.

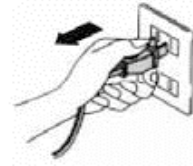
1. Control Panel
2. LED Lamp
3. Glass
4. Cassette Aluminum Filter
5. Cassette Aluminum Filter Handle
6. Exhaust

INSTALLATION

If you have an outlet to the outside, your cooker hood can be connected as below picture by means of an extraction duct (enamel, aluminum, flexible pipe or non- flammable material with an interior diameter of 120mm)

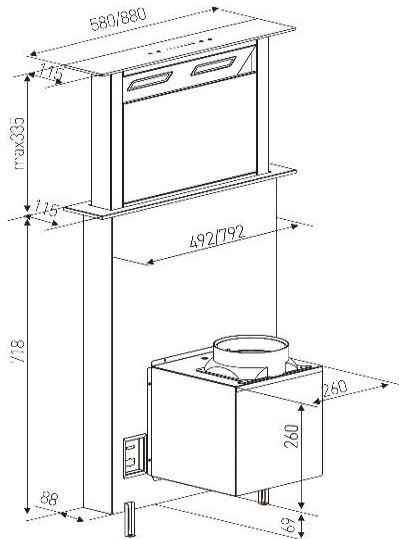


Before installation, turn the unit off and unplug it from the outlet.

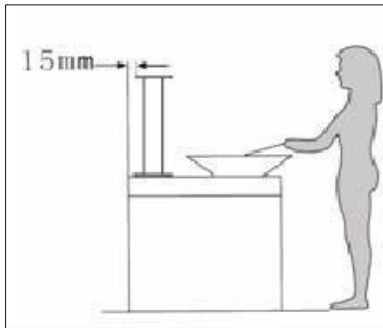


Installation preparation:

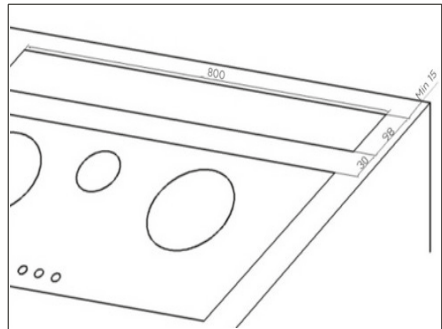
Before installation to a table or desired place, you must study the detailed dimensions of this unit, this is very important so that there are no errors when installing.



1. The cooker hood should be placed at a distance of 15mm from the wall at least. (See Pic 1)
2. If you want to install the unit to be parallel or flush with the stove, make a line according to the cut-out image below, then punch the table according to the shape and size of the lines that have been made. Put the hood into the hole of the cabinet. (See pic 2)
3. Use 4pcs screw ST4*8 & screw ST4*14 & fasten lock to fix the hood. (See pic 3).

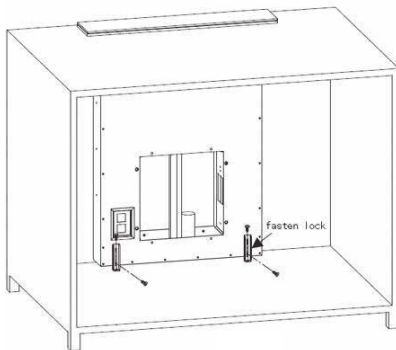


Pic 1

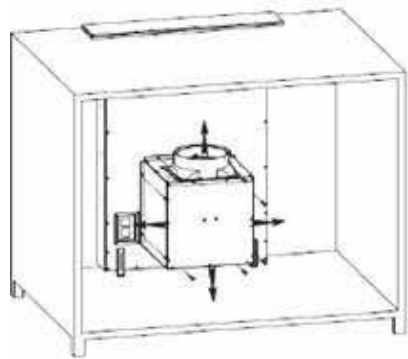


Pic 2

4. Insert the unit into a carefully punched table. Connect the casing & hood by 8pcs screw M10*10, the wind direction is up, down, left, right, the user can select according to the space of the cabinet. (See pic 4).

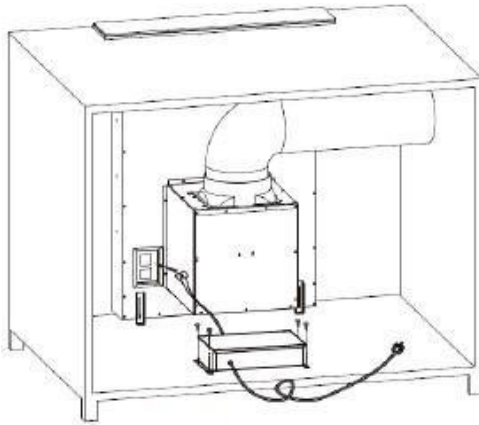


Pic 3



Pic 4

5. Fix the pipe on the outlet, and use 4pcs screw ST4*14 to fix the PCB box, connect the power and finish the installation. (See pic 5)



Pic 5

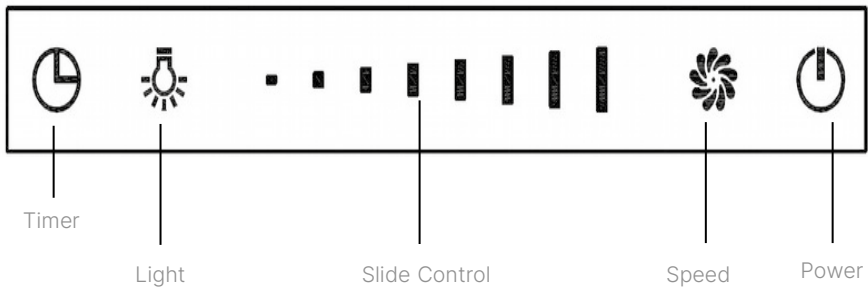
WARNING!

- For safety reason, please use only the same size of fixing or mounting screw which are recommended in this instruction manual.
- Failure to install the screws or fixing device in accordance with these.
- Instruction may result in electrical hazards.




HOW TO USE

Slide control

This control system consists of two parts, power panel and touch panel. Touch panel contains five function buttons (Power, speed, light, timer, slide control).





Functional operation







1. Power on, the hood will standby with backlight, backlight will be extinguished after 5 seconds without any operation, for using the hood again, touch any key to wake up its standby motion.
 2. Touch the power button  for 2 seconds, the hood will slide upwards, and works at the first speed. Touch the power button  for 2 seconds again, the hood will slide downwards, and stop working. If you stop the hood, without stopping the motor, when you open the hood again, the hood will work at the speed it works last time.
- Press the power button  when the hood is coming upwards or

going downwards, the hood will stop moving, with motor keeping running. Press the power button again, the hood will move again.

3. Motor on/off and speed setting:

- Touch the speed button  , the motor will turn on; touch it again, it will turn off.
- How to set the speed? Touch this area  with your finger sliding on it. When your finger stops at the first or second point, the motor will run at the lowest speed; when your finger stops at the third or fourth point, the motor will run at the second speed; when your finger stops at the fifth or sixth point, the motor will run at the third speed; when your finger stops at the seventh or eighth point, the motor will run at the highest speed.

4. Lighting

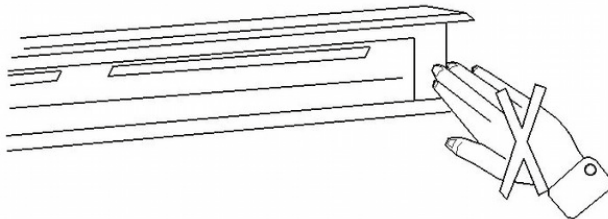
- After the hood slides up, the lights will turn on automatically in 8-10 seconds.
- Touch the button of light  , lights will turn off. Touch the light button  again, the lights will turn on.
- When you touch the light button  , the pilot light is flashing. Slide the button  to control the light intensity when the pilot light is flashing. When enter into the controlling of light intensity, the slide button  control the light intensity. There are 8 speeds of slide button when lighting every speed means one light intensity. When touch slide button  and slide to one light and it will be on, the light will be on in corresponding light intensity. It can also use the manual keys by touching the button to operate the hoods on one pilot light and it will be on in corresponding light intensity. The pilot light will stop flashing after 15s if there are no functions adjustment

5. Timer Button

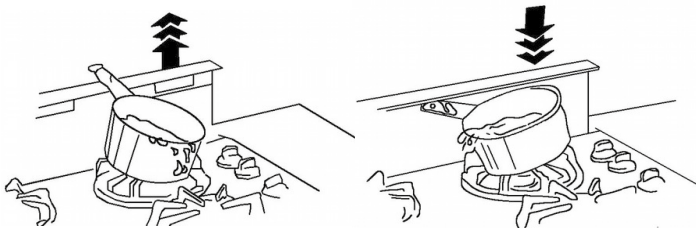
- Touch timer button “🕒” when light or motor is working; the hood will enter into timer working . When the pilot light of timer is flashing, slide button “■ ■” to select the timer section. There are eight sections of timer button when timer is working, they are: 5-10-15-20-25-30-35-40, touch the timer button “🕒” to enter into timer working when confirm the timer section. Or, enter into timer working automatically 5s later. The motor and light are off automatically when finish the timer, the hood will enter into standby, the decorative cover will close automatically
- Use the timer function again when keep power on, touch the timer button but without time setting, the hood will keep the time which set on last time. It will decrease by second after 5s. It will work as new time after new setting. Touch the speed button or control the light intensity when timer is working, the timer function will cancel automatically.

DANGER!

When the decline of the hood Do not hand on the decorative board to avoid panel will hand pinch.



When the smoke rise or drop from time to time to ensure that the hood there is no other hindered items to avoid crushing the hood, or tear down the other items, other items such as pot handle, spoon, etc.



MAINTENANCE

MODENA suction hoods are specifically designed for long-term use so they do not require complex maintenance. However, there are some things that are recommended to treat your suction hood so that the quality is maintained.

Turn off the unit and unplug the power cord from the power source before cleaning.

Regular treatment

Use a soft cloth dampened with a mixture of warm water and mild soap or household cleaning detergent. Do not use metal pads, chemicals, abrasive materials or rigid brushes to clean the unit.

Monthly treatment for grease filters

IMPORTANT: Clean the filter can prevent the risk of burning.

The filter captures oil, smoke and dusts so that the filter directly affects the efficiency of the suction hood. If not cleaned, the remaining oil (potentially flammable) will accumulate on the filter. Clean with household cleaning detergent.

Annual care for carbon filters

Install the carbon filter on the unit to be used with the recirculation system (not the ducting system). This filter must be replaced at least every six months or depending on how often the suction hood is used.

Replacing the Light Bulb

1. Turn off the unit and remove the power cord.
2. Remove the lamp cover by opening the two screws.
3. Remove the light bulb.
4. Replace with the same type of size and power.

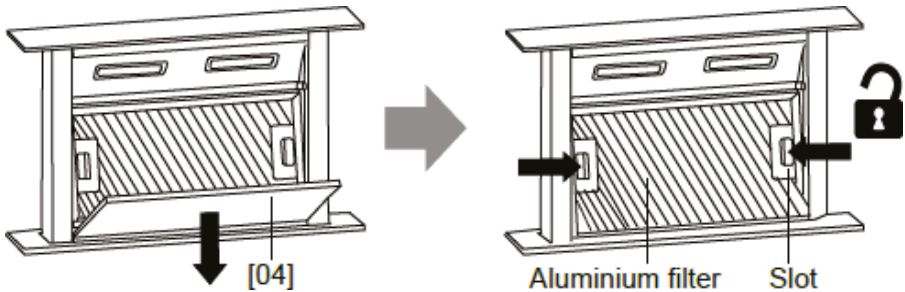
Important

Avoid neutral detergents and harsh cleaning chemicals or products that contain abrasives, because this will affect the appearance of the device and potentially eliminate all forms on the control panel and the warranty period will be canceled.

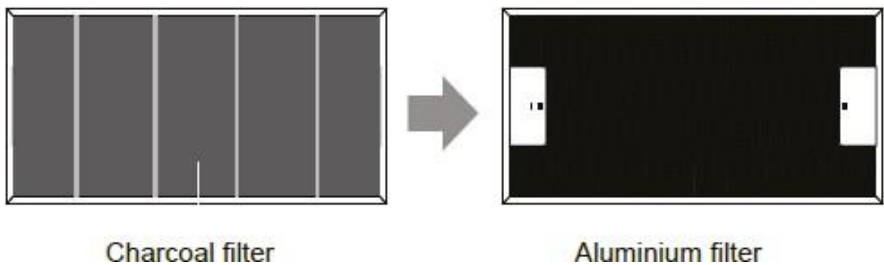
Grease mesh filters

The mesh filters can be cleaned by hand.

Remove the decorative board [04] and wipe it clean with a damp cloth. Then, remove the aluminum filter by pressing and holding the 2 slots



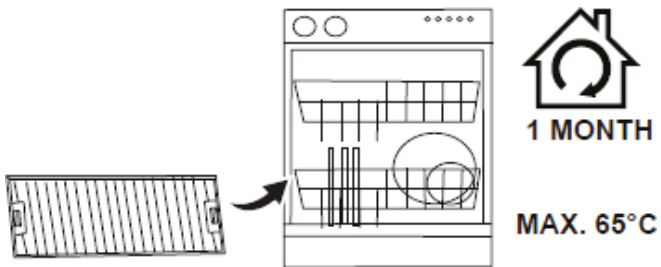
Place the aluminum filter upside down. Then detach the charcoal filter.



Soak the aluminum filter into the solution of warm water and mild detergent for about 10 minutes.



Clean with a soft cloth/brush. Rinse thoroughly and dry well.

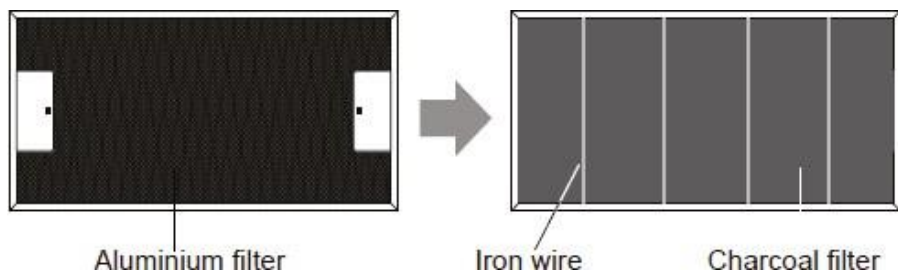


Clean the filter monthly. If the hood is used for more than 2 hours a day, we recommend that you increase the cleaning frequency.

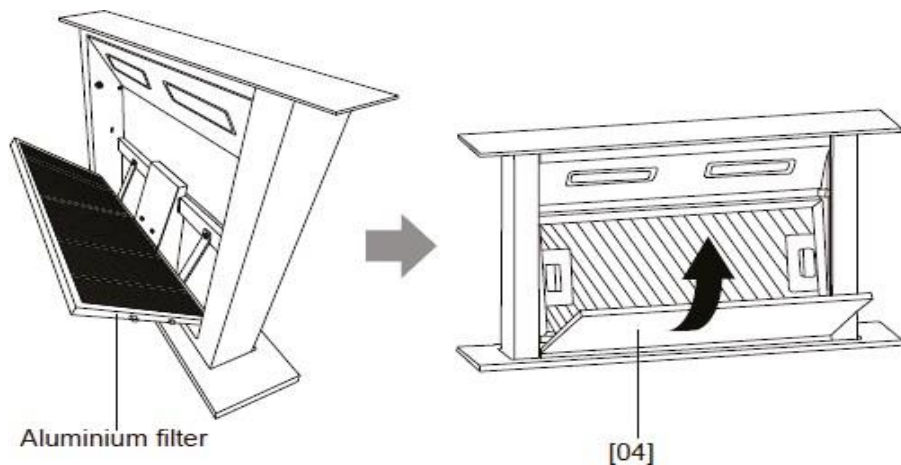
Depending on the hood use frequency, replace the filter in time! Always use genuine filters from the manufacturer.

Attaching aluminum filters

After cleaning, attach the charcoal filter to the aluminum filter. Then secure with the 4 iron wires



Insert the aluminum filter into the cooker hood. Then insert the decorative board [04] and close it into place.



NOTE:

Make sure the filter is securely locked. Otherwise, it would loosen and cause dangerous. When activated carbon filter attached, the suction power will be lowered.

The following shows how to reduce total environmental impact (e.g. energy use) of the cooking process).

1. Install the cooker hood in a proper place where there is efficient ventilation.
2. Clean the cooker hood regularly so as not to block the airway.
3. Remember to switch off the cooker hood light after cooking.
4. Remember to switch off the cooker hood after cooking

TROUBLESHOOTING

Please perform checking procedure on the following things before contacting MODENA service center when troubleshooting occurs:

Problem	Cause	Solution
Reduced suction power.	Dirty aluminum / acrylic filter Dirty carbon filter.	Clean the aluminum filter, dry it and place it back on the vent hood. Replace the carbon filter foam with a new one.
Motor stop working after a while.	Safety thermal regulator is active.	The vent hood is installed too close to the stove. Air circulation is not optimal. Contact MODENA Service Center.
Light on, but fan does not work.	The fan blade is jammed.	Switch of the unit and Contact MODENA Service Center.
	The motor is damaged.	
Both light and fan do not work.	Light bulb is burn.	Replace the bulb with correct rating.
	Power cord looses	Plug in to the power supply again.
Serious Vibration of the unit.	The fan blade is damaged.	Switch of the unit. Contact MODENA Service Center.
	The fan motor is not fixed tightly.	
	The unit is not hung properly on the bracket.	Take down the unit and check whether the bracket is in proper location.
Suction performance not good.	Too long distance between the unit and the cooking plane.	Readjust the distance to 65-75cm.

SPECIFICATION

Model	DX 9943
Type	Down Draft
Material of cabinet	Stainless (S)
Color of cabinet	Stainless (S)
Material front panel	Glass
Color front panel	Diamond Black
Motor	1
Lamp	2 LED
Control	Sliding Control
Speed	4
Filter type	Cassette Aluminum Filter + Carbon Filter
Suction Power (m ³ /h)	1000
Motor power	272 W
Lamp power	2 x 1 W
Weight (kg)	28.5
Dimension (L x W x H) mm	880 x 115 x (718– 1200)
Cut Out Dimension (mm)	792 x 88 x 720

