

User Manual Book Built-in Water Dispenser

Vicino Series

BP 3435

BP 6435

TABLE OF CONTENTS

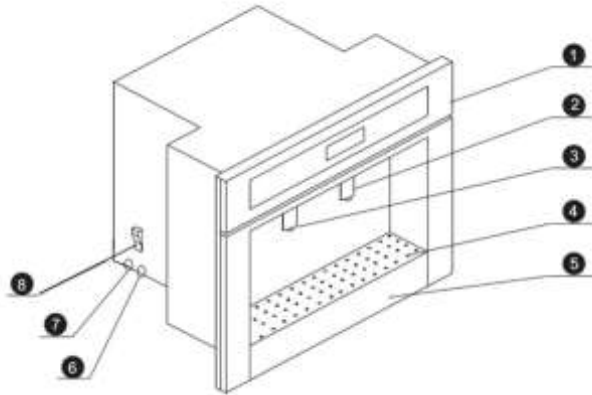
Part 1: Safety Warnings	3
Part 2: Name of Parts	3
Part 3: Installation	5
Installation Notes	5
Installation Method	6
Connecting PE Hose to Water Dispenser	6
Part 4: How to Use	8
Control Panel	8
Getting Started	8
Part 5: Maintenance	9
Part 6: Problem & Solution	10
Part 7: Precaution	11
Part 8: Specification	12

This guide book explains everything you need to know about your new product. Please contact our Customer Care should you need further assistance through www.modena.com

PART 1: SAFETY WARNINGS

- Read all instructions before using the water dispenser.
- Never clean parts with flammable fluids.
- Do not store or use any other flammable vapors and liquids in the vicinity of this or any other water dispenser.
- During operation keep it beyond the children to avoid scald..
- Never turn on the heating switch when there is no water.
- Adopt the ground wire to avoid any electric shock.
- This appliance is not intended for use by persons (including children) with reduced physical sensory or mental capabilities or lack of experience and knowledge unless they have been given supervision or instruction concerning use of the appliance by a person responsible for their safety.
- Children should be supervised to ensure that they do not play with the appliance.
- If the supply cord is damaged, it must be replaced by the manufacturer

PART 2: NAME OF PARTS



Part names:

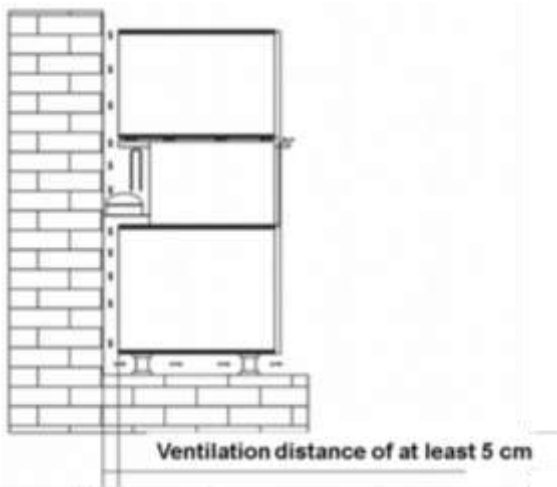
- | | |
|--------------------|---------------------------|
| 1) Control panel | 5) Watertray |
| 2) Cold water tap | 7) Water Purifier inlet |
| 3) Hot water tap | 8) Bottled water inlet |
| 4) Watertray cover | 8) Pump – Selenoid switch |

PART 3: INSTALLATION

Installation Notes

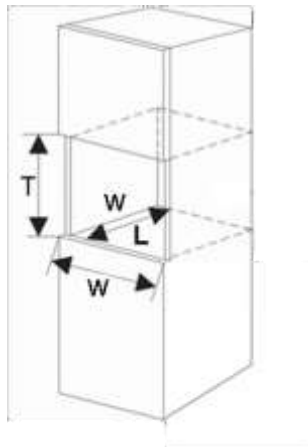
- Before installation, the user should decide the water source to use the right inlet according to the source.
- Dispenser should be installed in a flat, easily accessible, and secure place (not tilted).
- Do not install the dispenser and power outlet in a damp or wet area. Make sure the power outlet is grounded properly.
- It is recommended to add a power switch in front of the dispenser, to cut off the electric current easily.
- This appliance is compatible to connect with bottled water (gallon) and water purified tap water.
- Make sure that the PE hose is not bent to avoid blocking the water flow.

- If dispenser is installed on a cabinet, make sure that the space in the cabinet has enough room for heat dissipation to avoid machine disfunction. Install the appliance according to this instruction:



Installation Method

Set the cabinet position, the space should fit the dispenser according to the specified size requirements.

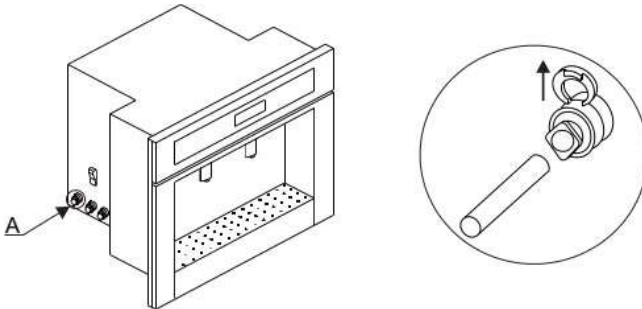


Product size table:

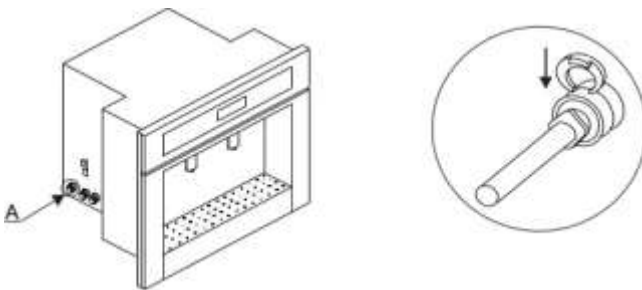
Model	W (mm)	D (mm)	H (mm)	Remark
BP 3435	564	550	453	The buckle 5mm, Under the buckle 3mm
BP 6435	564	550	453	

Connecting the PE Hose to the Water Dispenser

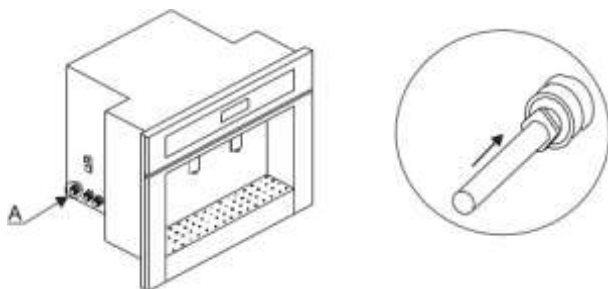
Prepare the PE hose, cut it flat at both ends. Separate the fastener from the blue quick connector.



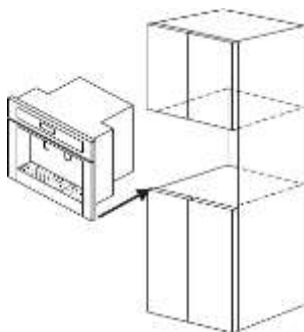
Insert the PE hose into the fastener ring up until the very end part. To see if it's secured, pull it using the same strength. If the hose does not move, then it is set and will not fall off.



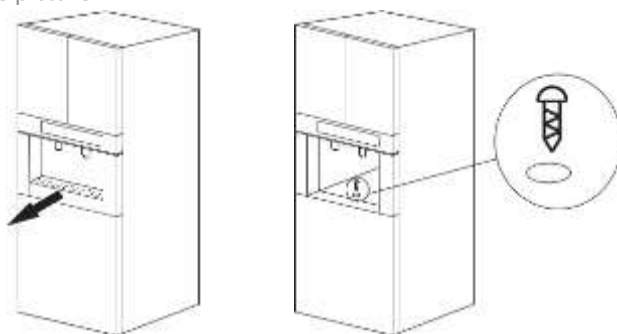
Insert the fastener into the space between the connector and hook ring to secure the connection.



Dispenser is equipped with PE hose that requires a hole to insert the hose through the back side of the cabinet. If the dispenser is installed on a cabinet, it has to be secured.



Dispenser equipments must be set on the back of the cabinet, detach the water tray and mark the position with the bolt on the bottom of the Dispenser, as shown in the picture:

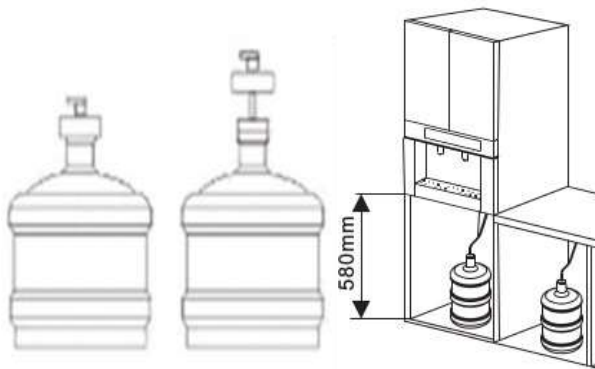


Connecting Bottled Water and Dispenser

Connect PE hose to the pipe for gallon, the connection method is same as install hose method (no. 2)

Insert the pipe to the gallon and then plug the cover to mouth of gallon.

Insert the gallon and close the lower cabinet door.



If the water source is from water purifier, pull out PE hose from the pipe for gallon, then connect the PE hose to the clean water outlet of water purifier.

PART 4: HOW TO USE

Control Panel




Remark:


- | | |
|----------------------------|-------------------------|
| 1 Water capacity button | 5 Cold water tap button |
| 2 Hot water setting button | 6 Light button |
| 3 Hot water tap button | 7 Cooling system button |
| 4 Display screen | |

Getting Started



1. Setting the amount of water

Touch  button once for to set the water capacity of 150ml, twice for 250ml, and thrice to set continuous water flow.



2. Hot water temperature setting

Touch  button once to set the hot water temperature, there are 3 options: 55°C, 85°C and 100°C. If you need room temperature water, set the temperature to _°C.


3. To dispense hot water

Touch  button once to dispense hot water, the hot water will flow out according to the amount chosen in step 1. If the amount is set as continuous flow, water will stop flowing once the finger is lifted from  button.


4. To dispense cold water

Touch  button once to dispense cold water, the cold water will flow out according to the amount chosen in step 1. If the amount is set as continuous flow, water will stop flowing once the finger is lifted from  button.

5. Switching the light on

Touch  button once to switch on the light, and then touch once again to switch off the light.

6. Switching the compressor/Cooling system on

Touch  button once to switch on the compressor, and then touch once again to switch off the compressor.

7. Child lock activation


Hold the  button 3 seconds activate and deactivate the Child Lock

PART 5: MAINTENANCE

NOTE:

To keep the optimum function of the machine for an extended time, pay attention to the maintenance. Power plug should be removed from the power socket before starting the maintenance process.

- Do not pull the cable to remove plug from power socket. Pull the plug head instead.

- This dispenser has been disinfected before the shipping.
- Clean the hose, water tank, and heating element at least once a year by an expert. This procedure will keep the machine in its best condition and prolong the life. Do not disassemble the machine by yourself to avoid damage on the machine.
- Use soft damp cloth to clean the dispenser surface, and use soft dry cloth to dry the surface. Do not let water get into the machine.
- Make sure the power cord is unplugged from the power source when discarding excess water, during maintenance process, or when the appliance is not used for a long time. Meanwhile, when the hot is not heated, open the drain valve until there is no water in the appliance. Meanwhile, if the hot water tap release cold water, let the valve open until there is no water left inside the dispenser.
- If the display screen shows  empty water icon, that means that the water has run out. Change the water gallon with the new one immediately.
- In order to ensure the long term normal use of water dispenser, please check the function regularly. When abnormality occurs, please notify the MODENA Call Center.

PART 6: TROUBLESHOOTING

If abnormalities happen when in use, please stop using the appliance and unplug the power cord, and check the following table to make sure of the appliance's condition. If necessary, please contact Modena Call Center.

Problem	Possible Cause	Recommended Action
Water is not hot or not cold	<ul style="list-style-type: none"> • Excessive dispensation of hot water or cold water in a short period of time. • Unit is not yet connected to electricity. 	<ul style="list-style-type: none"> • Wait until the water becomes cold or hot. • Connect the cord to the outlet and press the heater and cooler switches.
Water is not being dispensed out of the tap	<ul style="list-style-type: none"> • Water gallon is empty. The pipe is stuck or block something. 	<ul style="list-style-type: none"> • Replace the water gallon with a new one. • Turn off the switch cooling to 4 hours, then turn the switch back.
Leak on the water gallon support	Water gallon is leaking / damaged	<ul style="list-style-type: none"> • Replace water gallon with a new one, make sure the power cord is unplugged.
Loud noise	Improper installation or	Install unit on even and stable

Problem	Possible Cause	Recommended Action
during operation	placement of unit	surface
Error code - Err1	Hot temperature sensor is broken	Contact Modena service center
Error code – Err2	Internal leakage	Contact Modena service center

PART 7: PRECAUTION

- If the appliance is not going to be used for a long period of time, unplug it and drain all water in its interior
- Wash and disinfect the system every 3-6 months with a suitable cleaner and according to its instructions for use
- Do not pull out the cable to unplug. Do not turn on and o- the appliance by connecting it and disconnecting it from the source of electricity
- If you are not using the appliance for a long period of time or during the night, you can turn it o- to save energy
- The equipment must be installed keeping easy access to the electrical plug.

PART 8: SPECIFICATION

Model	BP 3435	BP 6435
Type	Built-in water dispenser	Built-in water dispenser
Water output	Hot, Normal & Cold	Hot, Normal & Cold
Color	Black & Stainless	Black
Hot water output (liter/hour)	26	26
Cold water output(liter/hour)	2	2
Hot water tank capacity (liter)	without water tank (instant)	without water tank (instant)
Cold water tank capacity (liter)	1.1	1.1
Hot temperature (Celsius)	55,85,100	55,85,100
Cold temperature (Celsius)	≤14	≤14
Free-CFC compressor	Yes	Yes
Water tank material	Stainless Steel	Stainless Steel
Heating power (watt)	2100	2100
Compressor power (watt)	120	120
Voltage / Frequency	220 V ~ / 50 Hz	220 V ~ / 50 Hz
Product dimension	595x560x455	595x560x455
Cut-out dimension	560x550x450	560x550x450

Specifications of this appliance may change without notice to improve the quality of the product. Pictures in this manual are schematic and may not match your product exactly. Values stated on the machine labels or in the documentation accompanying it are obtained in laboratory in accordance with the relevant standards. Depending on operational and environmental conditions of the appliance, values may vary.



PT MODENA INDONESIA

Jl. Industri Raya I Blok D-8,
Jatiuwung, Tangerang 15135