



User Manual Book

Dual Chamber Chest Freezer

Conserva Series
MX 0310, MX 0600



Thank you for your trust in choosing MODENA products for your household needs. With your satisfaction as our priority, we constantly aim to deliver stylishly designed products equipped with state-of-the-art technology to assist you in your daily activities.

This is your guidebook containing everything you need to know about our product. Please reach out to us if you need further assistance or other information via our Customer Care or our official website www.modena.com.

MODENA

TABLE OF CONTENT	PAGE
Introduction	2
Part 1: Safety Information	4
Part 2: Name of Parts	6
Part 3: Quick Start Guide	7
Part 4: Maintenance	11
Part 5: Troubleshooting	13
Part 6: Specification	15

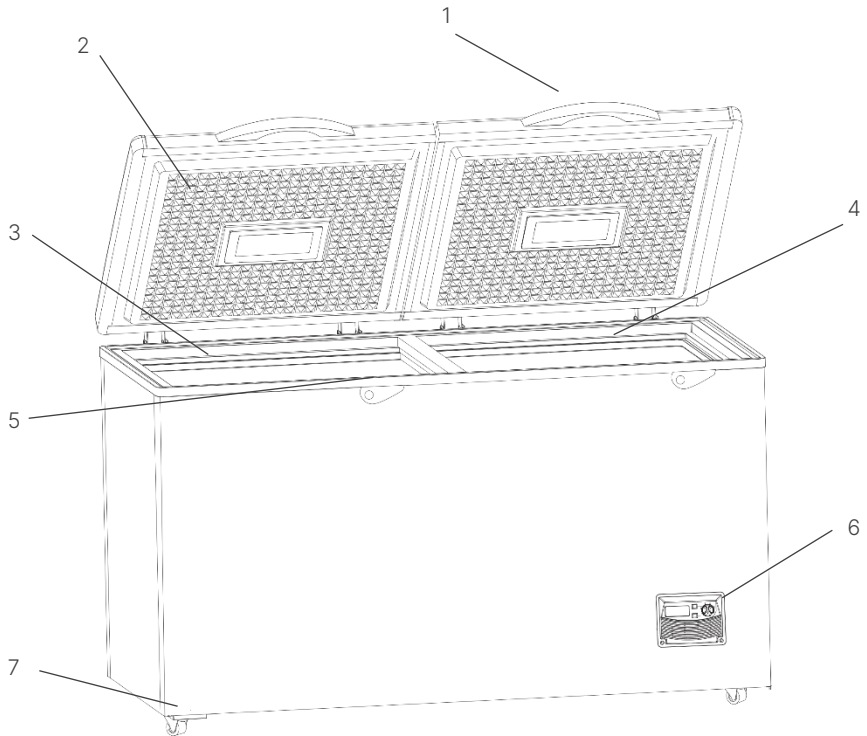
Part 1: Safety Information

READ THIS INSTRUCTION MANUAL CAREFULLY!

- **WARNING!** Keep ventilation openings, in the appliance enclosure or in the built-in structure, clear of obstruction.
- **WARNING!** Do not use mechanical devices or other means to accelerate the defrosting process, other than those recommended by the manufacturer.
- **WARNING!** Do not use electrical appliances inside the food storage compartments of the appliance, unless they are of the type recommended by the manufacturer.
- **WARNING!** Do not damage the refrigerant circuit.
- **WARNING!** When positioning the appliance, ensure the supply cord is not trapped or damaged.
- **WARNING!** The refrigerant and insulation blowing agent inside the refrigerator need special disposal procedure. Consult the disposal method with related department
- **WARNING!** Your freezer contains iso-butane refrigerant (R600a/R290R134a) in small quantities. Make sure there is no damage or leakage. Refrigerant leak may result in fire or damage to your eyes. If a leakage is detected, move the refrigerator away from fire sources or any other potential sources which can cause fire. To reduce fire risk, electric shock risk, or injuries when using the product, follow the safety instructions carefully. Read the instructions before using the product
- **WARNING!** Do not locate multiple portable socket-outlets or portable power supplies at the rear of the appliance. Do not use plug adapter.
- **WARNING!** To avoid hazard due to instability of the appliance, it must be fixed in accordance with the instructions.
- **ATTENTION!** Opening the door for long periods of time can cause a significant increase of the temperature in the compartment of the appliance
- **ATTENTION!** Clean the surfaces that come in contact with food and accessible drainage systems regularly
- **ATTENTION!** Do not store hot foods into the freezer. Wait until it cools down to room temperature.
- **ATTENTION!** Store foods in suitable containers in the refrigerator, so that is is not in contact with or drip onto other foods.

- **ATTENTION!** If power outage occurs, unplug the power cord. Wait at least 10 minutes before starting the appliance to avoid damage to the compressor.
- **ATTENTION!** If the refrigerating appliance is left empty for a long period of time; switch it off, defrost, clean, dry, and leave the door open to prevent mould from developing within the appliance
- **ATTENTION!** While carrying and positioning the fridge, do not damage the cooler gas circuit.
- **WARNING!** Do not store explosive substances such as aerosol cans with a flammable propellant in this appliance.
- **WARNING!** If the socket does not match the refrigerator plug, it must be replaced by the manufacturer, a service agent or similarly qualified persons in order to avoid a hazard.
- **WARNING!** If the supply cord is damaged, it must be replaced by the manufacturer, an authorized service agent or similar qualified persons, in order to avoid a hazard.
- **WARNING!** Children aged 8 years or older, people with limited physical, sensory, mental capabilities, and people who have no experience, can use the appliance safely after they have been given the appropriate supervision or instruction concerning use of the appliance.
- **ATTENTION!** This Freezer can be used for household or similar applications such as:
 - Staff kitchen areas in shops, offices, and other working environments
 - Farm houses and by clients in hotels, motels, and other residential environments
 - Bed & breakfast type environments
 - Catering and similar non-retail environments

Part 2: Name of Parts



1. Handle
2. Door
3. Freezer
4. Refrigerator
5. Lock
6. Control panel
7. Castor wheels

**Above picture is for reference only. Difference between the picture and actual product may occur*

***Feature and equipments differ by each product*

Part 3: Quick Start Guide

PRODUCT INSTALLATION

- Install the freezer on even and sturdy surface. Uneven surface may cause objects in it to fall.
- Provide adequate space for air circulation between the freezer and the wall or other objects. Back and side clearance is 10 cm, and top clearance is 70 cm.
- Do not put freezer near heat sources such as stove, ovens, boilers, etc.
- Do not put freezer under direct sunlight or exposed to rainwater to avoid electrical current leakage
- Ensure that the voltage and frequency match the freezer specification, which are 220 V and 50 Hz.
- Do not use cord extension or branched outlet since it poses risks of shortage, overheating and fire.
- If the unit must be installed in a humid environment, make sure to install a circuit breaker to avoid shortage.

WARNING! The power plug must be easily accessed and unplugged after installation

FIRST TIME USE

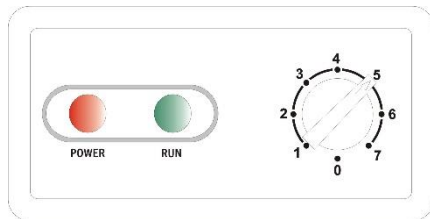
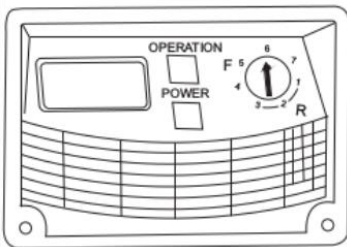
Before using the freezer for the first time, clean the interior and accessories using lukewarm water and neutral soap to eliminate bad odor typical from newly manufactured product. After that, dry before use.

WARNING! Do not use detergent or abrasive cleaners as it will damage the product finishing

INITIAL USE

1. Open the freezer door for a while to provide good air circulation before use
2. Clean the inner cabinet before use
3. Please wait 30 minutes before turning on the freezer. Oil in the compressor may circulate to the refrigerant system during the transportation or distribution process
4. When turning the freezer for the first time, cabinet may become warm and the compressor will operate in a very long time to achieve ideal temperature. Upon reaching the ideal temperature, the thermostat will stop the compressor and the freezer will operate normally
5. Do not put foods into the freezer before the ideal temperature is reached

CONTROL PANEL AND THERMOSTAT DISPLAY



**Control panel shape and display can be different depending on the product type*

- Red light indicates POWER. If the power cord is plugged to the power source, the red light will turn on
- Green light indicates OPERATION. If the compressor is operating, the green light will turn on

NOTE: Do not set the thermostat to “Max” or “Fast Freezing” position for a long period of time as it can cause damage to the compressor and reduce its lifetime. This position may only be used to freeze foods quickly. After the food is frozen, set the thermostat back to the desired setting.

- Check the temperature after 4 (four) hours. If the temperature has reached the desired level, you may use start using the freezer.
- The temperature will be affected by:
 - Ambient/room temperature
 - Door open frequency
 - Quantity of food stored inside
- To reach the desired temperature, all the above factors must be considered, and a few adjustments may be needed.

FREEZING FRESH FOOD

Freezer is suitable for freezing fresh food and storing frozen food for a long period of time. Place fresh foods on the bottom of the compartment.

STORING FROZEN FOOD

When you want to start the freezer after a long time, adjust the thermostat to highest level and wait until 2 (two) hours before storing anything inside the freezer.

IMPORTANT! If accidental defrosting occurs (for example in power outage), defrosted foods must be consumed or cooked immediately. Cooked foods can be re-frozen.

THAWING

Frozen food can be thawed in a fridge compartment or at room temperature. Small pieces of frozen food may be cooked directly, but the cooking time will increase.

TIPS ON FREEZING FOODS

- The freezing process takes 24 hours. Do not add foods into the freezer during this period.
- Freeze top quality, fresh, and thoroughly cleaned foods.

- Prepare the foods in small portions to make it freeze faster and can be thawed in the required quantity.
- Wrap the foods with aluminum foil or polyethylene and make sure it is airtight.
- Do not allow fresh unfrozen food to touch other frozen food. This is to avoid a rise of temperature of the frozen foods.
- Lean foods freeze better and can be stored longer than fatty foods. Salt can help preserve the foods.
- Consuming ice cubes immediately from the freezer may result in frost burns.
- It is recommended to label each individual package with storing date to keep tab of the storage period.

TIPS ON STORING FROZEN FOODS

- Make sure that the commercially frozen foods were adequately stored by the retailer.
- Be sure that the frozen food is quickly transferred to the chest freezer in the shortest amount of time.
- Do not open the door too frequently or leave it open for a long period of time.
- Do not exceed the storage period indicated by the food manufacturers.

Part 4: Maintenance

CLEANING THE FREEZER

To make sure that the freezer is in optimum condition, the interior and accessories must be cleaned regularly.

WARNING! Freezer may not be connected to the main electrical socket during cleaning! Risk of electric shock!

- Before performing cleaning activity, switch off the freezer and unplug the power cord.
- Do not clean the freezer using steam cleaner. Moisture from the steam may damage the electrical components and cause electric shock. Hot steam may damage plastic components. Freezer must be dried completely before use.

IMPORTANT! Essential oils and organic solvent may damage plastic components. For example lemon water, orange water, butyric acid, cleaner that contains acetic acid.

- Do not allow such substances to come in contact with the appliances.
- Do not use abrasive cleaners.
- Remove the foods from the freezer and store in a cool and well covered place.
- Clean the interior and accessories using cloth and lukewarm water. After that, clean with clean water and dry completely.
- Dust can accumulate on the condenser and cause performance drop. Clean the freezer condenser at least once a year using soft brush or vacuum cleaner.
- After everything is dried completely, install the accessories and freezer to the initial position.

DEFROSTING

Freezer will become progressively covered with frost and must be cleaned. Do not use sharp metal objects to scrape the frost because it can damage the freezer. Use plastic scraper.

If the accumulated frost becomes very thick, complete defrosting should be performed as follows:

- Unplug the unit. Remove the inner drain plug. Open the door and let it open to accelerate the defrost process. Defrosting usually takes a few hours.
- To collect the defrost water, place a tray beneath the outer drain hole.

- Pull the outer drain dial and rotate 180°. The defrost water will flow out of the freezer.
- When finished, push the outer drain plug back to its place. Reinstall the inner drain plug. Monitor the water level in the tray to avoid overflow.
- Clean the interior of the freezer and plug the power cord.
- Adjust the thermostat knob to the desired position.

LED LAMP REPLACEMENT

If your freezer is equipped with LED lamp, contact Service Center for lamp replacement. LED lamp replacement must be performed by qualified technician.

ENVIRONMENTAL NOTICE



The packaging material used is recyclable. We recommend that you separate plastic, paper and cardboard and give them to recycling agents. To help preserve the environment, the refrigerant used in this product is R600a/R290/R134a (Hydrofluorocarbon - HFC), which does not affect the ozone layer and has little impact on the greenhouse effect. According to WEEE (Waste of Electrical and Electronic Equipment) guidelines, waste from electrical and electronic devices should be collected separately. If you need to remove of this appliance in the future, do not throw it away with the rest of your domestic garbage. Instead, please take the appliance to the nearest WEEE collecting agents, where available.

Part 5: Troubleshooting

Check the following before contacting our Service Center in the event of malfunction

WARNING! Before troubleshooting, unplug the unit from power source. Only a qualified technician is allowed to perform troubleshooting not stated in this manual.

IMPORTANT! There are some normal sounds during use (compressor sound, circulating refrigerant sounds)

Problem	Possible Cause	Recommended Action
Appliance does not work	<ul style="list-style-type: none"> • Power cord is unplugged or loose • Blown fuse or damaged fuse • Defective socket 	<ul style="list-style-type: none"> • Insert power cord correctly • Check the fuse, replace if needed • Malfunction must be repaired by qualified electrician
Appliance is not cold	<ul style="list-style-type: none"> • Thermostat not properly adjusted • Too much food • Door is opened frequently • Freezer is placed in hot area • Bad ventilation • Frost accumulated inside the freezer 	<ul style="list-style-type: none"> • Adjust the thermostat until it's cold • Rearrange or reduce the food • Do not open the door too frequent • Place freezer in a cool and dry place • Ensure adequate ventilation • Defrost and clean the freezer

Problem	Possible Cause	Recommended Action
Appliance is too cold	<ul style="list-style-type: none"> • Thermostat adjusted to maximum position 	<ul style="list-style-type: none"> • Adjust the thermostat with lower setting
Dew outside of freezer	<ul style="list-style-type: none"> • Ambient temperature and humidity too high 	<ul style="list-style-type: none"> • Place freezer in a cool and dry place
Loud noise	<ul style="list-style-type: none"> • Freezer is touching the wall or other object • Freezer pipe is touching other parts 	<ul style="list-style-type: none"> • Reposition the freezer and follow the minimum distance • If needed, bend the pipe to avoid touching with other objects

Part 6: Specification

MODEL	MX 0310	MX 0600
Total Capacity (Liter)	310	600
Freezer Capacity (Liter)	178	402
Refrigerator Capacity (Liter)	132	198
Power Input (Watt)	310	600
Freezer temperature (°C)	2 to -26	2 to -26
Refrigerator temperature (°C)	10 to -3	10 to -3
Color	White	White
Door with lock	Yes	Yes
Wheels	Yes	Yes
Control panel	Analog	Analog
Defrost drain hole	Yes	Yes
Basket (pcs)	1	1
Refrigerant	R600a	R290
Rated Voltage (V)	220-240	220-240
Rated Frequency (Hz)	50	50
Product dimension (WxDxH)(mm)	1329x575x832	1540x845x932
Product weight (kg)	53	72

*) S = Stainless, R = Red, C = Cream, O = Orange, N = Green, U = Blue, W = White, V = Silver, G = Grey, L = Black

Design and specification can change without prior notice to improve the quality of the product. The illustration in this manual is schematic and can be different with your actual product. The values on label or in other documents are according to laboratory test and relevant standards. Values can vary depending on the actual operational and environmental condition of the product.



PT MODENA INDONESIA
Jl. Industri Raya I Blok D-8,
Jatiuwung, Tangerang 15135