

User Manual Book Built in Gas Hob

BH 6725 LF	BH 2933 LL	BH 2733 LL
BH 6935 LF	BH 2723 LL	BH 1725 LG
BH 4934	BH 2933 LJ	BH 5725 LK
BH 4724	BH 2723 LJ	BH 5725 LO
BH 2937	BH 7723 LLD	BH 1728
BH 2727	BH 1935 LA	BH 1728 LA
BH 4937	BH 1935 LB	BH 1728 LB
BH 4727	BH 1725 LA	BH 1725 LAT
BH 2934	BH 1725 LB	BH 1725 LBT
BH 2724	BH 1725 LA MASSA	BH 1725 MIMA
BH 0935	BH 1945	BH 1725 LG
BH 0725 ADBK	BH 1935	BH 5725 BABK
BH 0325	BH 1735	BH 5725 AABK
BH 1325 ABBK	BH 1725	BH 2725 GABK
BH 1725 ABBK	BH 1725 W	BH 2725 GBBK
BH 1935 ABBK	BH 1645	BH 2725 ZMCA
BH 1325 ACBK	BH 1325	BH 8725 HABK
BH 1725 ACBK	BH 1315	BH 8725 HAGY

TABLE OF CONTENTS

Part 1: Safety Warnings	3
Part 2: Name of Parts	4
Part 3: Installation	5
Adjusting the Stove to the Kitchen Table	5
Installing the Stove to the Kitchen Table Hole	8
Part 4: How to Use	10
Control Knob	10
Lighting The Burner	10
Other BH Series	11
Touch Control BH 7723 LLD	13
BH 1725 LAT & BH 1725 LBT	15
BH 8725 HABK & BH 8725 HAGY	16
Part 5: Maintenance	19
Part 6: Troubleshooting	20
Part 7: Precaution	22
Part 8: Specification	23

This guide book explains everything you need to know about your new product. Please contact our Customer Care should you need further assistance through www.modena.com

PART 1: SAFETY WARNINGS

If you do Not understand about the procedure installation of gas cooker, you should contact MODENA Service Center to perform the installation.

Prepare the support equipment required for installation like:

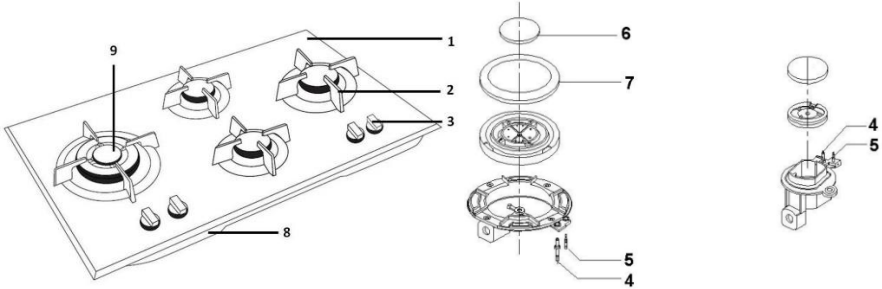
- LPG gas cylinder.
- Gas hose with a safety standard for lack.
- Clamp.
- Gas regulator clamp / hose clamp with a lowpressure type.
- Matches / gas lighter.

Room air ventilation

The air in the room that will be put gas appliances must have good ventilation so that air can flow / move smoothly (there is circulation), if the air in the room can Not flow then the air in the room will contain more combustion of the gas compared to oxygen. It will cause the flame on the stove / burner is Not perfect (a yellow flame because lack of oxygen). Therefore, the room that will be put gas appliances should have good ventilation.

PART 2: NAME OF PARTS

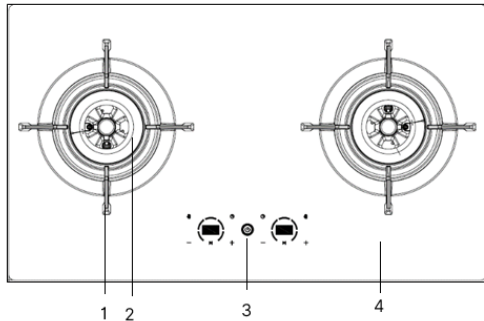
BH Series



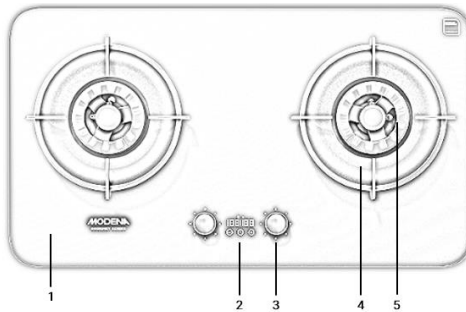
1. Upper Plate
2. Grid
3. Control Knob
4. Lighter Plugs
5. Gas Safety Sensor
6. Small Fire Pit
7. Large Fire Pit
8. Bottom Plate
9. Burner

BH 7723 LLD

1. Grid
2. Burner
3. Control Panel
4. Tempered glass



BH 8725 HABK & BH 8725 HAGY



1. Tempered glass
2. Digital Timer
3. Knob
4. Pan Support
5. Burner

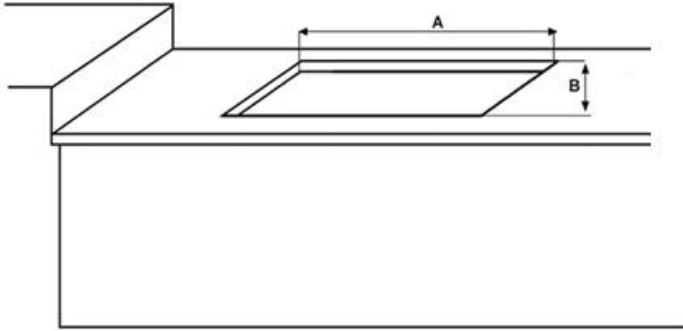
- Image is a general overview and is not necessarily the same as the product you receive.
- The features and product specifications depend on the product type

PART 3: INSTALLATION

Adjusting the Stove on Kitchen Table

- Stove can be installed on the kitchen table as long as the table is resistant to heat. To make a hole at the kitchen table use cardboard templates to customize the size. Make a hole should be proportional not too wide or too small.
- To ensure the final result in accordance with the installation plan, before making the planting hole check the distance between the bottom plate to the top plate.
- Check if the size of the hole on the kitchen table is appropriate to put the stove.
- If the stove with a top plate of glass will be installed parallel to the tile, to install make a distance of at least 2 mm for expansion.
- Free area under the stove must be more than 40 cm, and the distance to objects on the stove should be more than 100 cm.

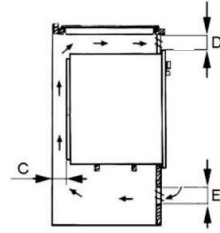
- It is recommended to use a cabinet / counter with a width of more than 55 cm, make a hole at the front of the open air circulation cabinets / counter.
- The size of the hole to put the stove on the kitchen table is as follows.



Type	A (mm)	B (mm)	Type	A (mm)	B (mm)
BH 5725 LK BH 5725 LO	635	350	BH 0325 BH 1315 BH 1325 BH 1325 ABBK BH 1325 ACBK	268	480
BH 8725 HABK BH 8725 HAGY	630-710	330-390	BH 2723 LL BH 7723 LLD	703	403
BH 6935 LF	820	475	BH 1725 LG	670	370
BH 6725 LF	685	400	BH 0725 ADBK BH 1725 BH 1725 W BH 1725 LA BH 1725 LB BH 1725 LA MASSA BH 2724 BH 2725 BH 4724 BH 1735 BH 4727 BH 2727 BH 1728 BH 1728 LA BH 1728 LB BH 1725 LAT BH 1725 LBT BH 1725 MIMA BH 2723 LJ BH 1725 ABBK BH 1725 ACK BH 2725 ZMCA BH 2725 GABK BH 2725 GBBK	660	360
BH 0935 BH 1935 BH 1935 LA BH 1935 LB BH 2935 BH 4934 BH 1945 BH 1945 LA BH 2934 BH 2933 LL BH 2933 LJ BH 1945 BH 1945 LA BH 2934 BH 2933 LL BH 2933 LJ BH 2937 BH 4937 BH 1935 ABBK	827 552	470 472			
BH 1645	552	472	BH 5725 AABK BH 5725 BABK	650	350

ATTENTION!

If the stove is installed with oven under heat, separator panel must be placed under the stove and frame underneath with a minimum distance of 10 cm.



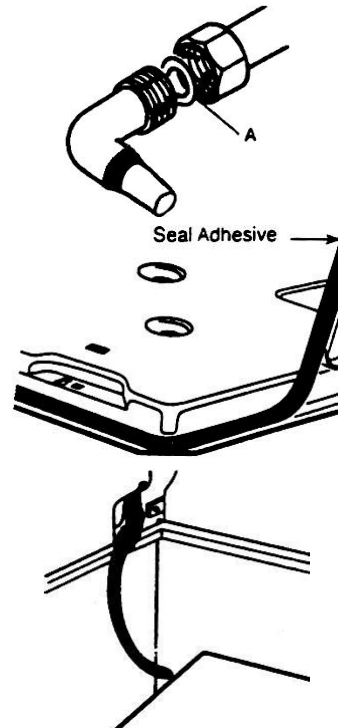
NOTE

For the size of the hole a few other models that are Not contained In the above illustration can be seen in the table of specifications or can be consulted to MODENA Service Center

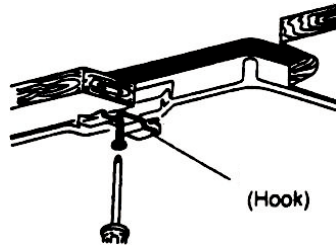
Installing The Stove On The Kitchen Table Hole

To install the stove in your kitchen table hole, do the followings:

- Connect the hose that connecting the gas pipe, and tighten using a wrench
- Before installing the pipe that connecting the gas hose, check and make sure whether the gasket / seal (A) has already installed.
- Perform installation properly Elbow, where the main pipe with Elbow should use a seal, to avoid gas leakage.
- Use of two pass key 22 & 24 (adjusted) at the time of going to Elbow perform installation, test connections with soapy water, make sure there are no leaks.
- Installation should be performed by experienced technicians, all forms of loss and adverse effects due to improper installation or MODENA technician, then it is not be the responsibility of MODENA.



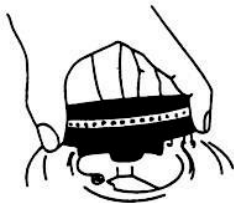
- Embed Seal Adhesive (glue) along the bottom edge of the stove. It is necessary to keep the moisture on the bottom of the stove.
- Connect the gas hose to the stove, and tighten the connection with the hose clamp. Then do leak test on the gas hose connection with your stove.
- Put the stove on the kitchen table hole, then to tighten use a hook which has been available on stove packaged equipment.



CATATAN

For some products with certain models does not include clip (hook)

- Install the Burner set on its position



NO



OK

- Install the regulator on gas tube and stove is already use

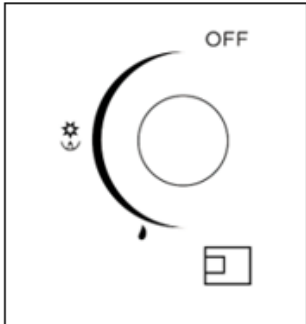



ATTENTION:

- To avoid gas leakage, please use gas standard hose with gas safety device.
- Use the hose and regulator are perfect to avoid gas leaks can cause explosions.
- Do not use a high pressure regulator.

PART 4: HOW TO USE

Control Knob

The amount of gas flow in the furnace / burner can be set on the knob as shown in the figure below:

	●/OFF	Off
		Maximum Gas Flow
		Minimum Gas Flow
		Burner Position

Lighting The Burner

To ignite the flame easily, light the burner before placing the cooking utensil on the pan support.

For the model with electric ignition switch united with the knob.

To turn on the burner, push the knob and then turn to counterclockwise until the maximum fire symbol. By pressing the knob, it ignites automatically.


For the model using safety valve:

some of built-in gas-cooker models are included with safety valve that functioned to automatically cut off the gas flow if the burner doesn't turn on. To turn on the burner, turn the knob to the maximum gas, then push for 3-5 second. Released the knob if the fire has turned on and adjusts the fire by turning the knob to the desired position.

At the first time there are times when the cigarette lighter does not run smoothly, do the lighter several times. If the process fails or long lighters could be because the battery has run out / damaged.

For model without electric ignition :

To light the burner with the condition doesn't have electric power, turn on the fire using matches and approach the fire to the upper side of burner than push the knob and turn counter clockwise until the maximum fire symbol condition.

1. To decrease / increase the fire on turned on burner :
Turn the knob to position the maximum fire sign or direction of the position of the minimum fire sign.
2. To use the minimum fire fire:
3. Turn the knob to gas flow – Minimum .
- 4.
5. To turn off the fire on burner : Turn the knob to "OFF" symbols.





ATTENTION

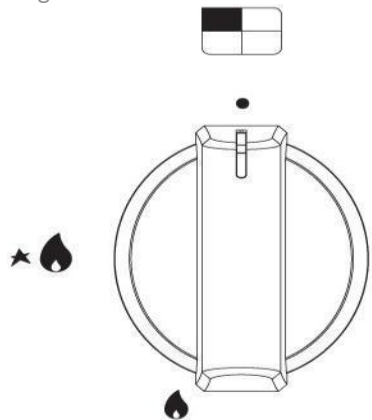
In the event of a gas leak, do not turn on electronic equipment, turn on the fan or testing by fire. Close the gas valve as soon as possible and open the whole window / vent.

Other BH Series

Control Knob

The symbols on the control knobs mean the following:

-  No gas flow / OFF
-  Maximum gas flow
-  Minimum gas flow
-  Automatic Ignition



Lighting the Burner

To acquire the flame easily, light the burner before placing the cooking utensil on the pan support.

For the model with electric ignition switch united with the knob.

This model as sign with symbol ★ beside of symbol 🔥 (maximum gas stream). To turn on the burner, push the knob and then turn to counter clockwise until the maximum fire symbol. By pressing the knob, automatically its turn on the ignition.

For the model using safety valve :

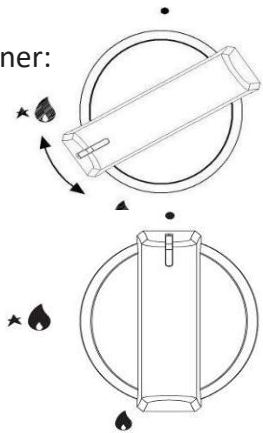
Some of built-in gas-cooker models are included with safety valve that functioned to automatically cut off the gas flow if the burner doesn't turn on. To turn on the burner, turn the knob to the maximum gas, then push for 4-5 second. Released the knob if the fire has turned on and adjusts the fire by turning the knob to the desired position

For model without electric ignition:

To light the burner without automatic ignition plug, or light the burner at the condition does n't have electric power, turn on the fire using matches and approach the fire to the upper side of burner than push the knob and turn counter clockwise until the maximum fire symbol condition.

To decrease / increase the fire on turned on burner:

Turn the knob to the maximum fire symbols or the minimum fire symbols



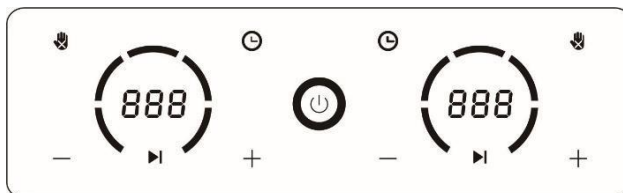
To turn off the fire on burner:

Turn the knob to "OFF" symbol

NOTE

Checked whether the flame is smooth and blue. If the color is red/yellow and generates a thundering sound from the burner, turn off the flame and repeat this until the flame is smooth and blue color

Touch Control BH 7723 LLD



Power Button

Press this button once to turn off the appliance, LED display will light up and the appliance will enter standby mode. To turn off the appliance, press this button once again and display will be turned off.

Ignition Button

In standby state, press the ignition button of the desired burner once to light up the flame.

Plus Button

When the fire had been lit up, press this key to increase the flame. Each press of the button increases one stage of flame.

Minus Button

Press this button to reduce the flame. Each press of the button reduces one stage of flame.

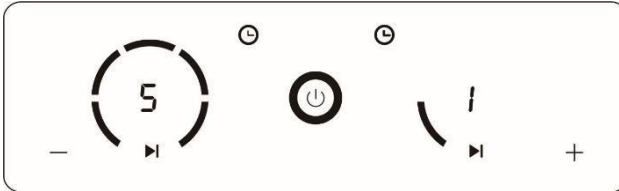
Timer Button

Long press the button to enter timer setting mode. Adjust the timer by pressing the + and – button, and press the button once again to start the timer. Long press the button to cancel the ongoing timing process.

Overheat Indicator

After shutting the cooker off, if the temperature on the surface still exceeds 50°C, the panel will show this indicator until the temperature decreases.

Ignition and fire control





Press ignition button to ignite the flame, the flame will burn in the biggest stage, and LED display will show the number 5.

Stages according to the usage:

- Stage 1: Reheating and heat-preserving
- Stage 2: Cooking soup and stews
- Stage 3: Steaming
- Stage 4: Frying/Deep Frying
- Stage 5: Stir-frying

Setting the Timer

- When the burner has been lit, long press timer button  to enter timer setting mode. The LED display will light up.
- Press + and – button to adjust the time that shows up in the LED display.
- Press the timer button  again to start the timer. The display will show the stage of the burner and the timer alternately. When timer ends, flame will be put out automatically and the buzzer will ring.

NOTE

The timer can be set between 1-199 minutes

Overheat reminder

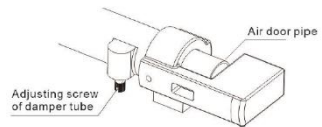
After the appliance is turned off, if the glass surface exceeds 50°C, the overheat indicator will light up until the temperature is safe to touch. Pay attention to avoid touching the glass panel if the indicator is on.

Auto-cutoff protection

If in the middle of cooking process there is a strong wind blowing that puts out the fire, or spilled food that causes the fire to burn abnormally, the protective device in the cooker will automatically cut off the gas flow to prevent further combustion.

Air adjusting device

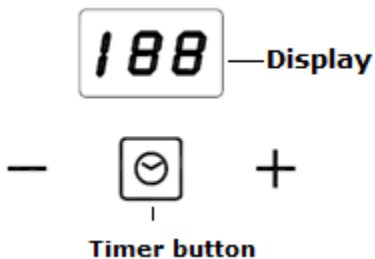
This appliance is equipped with an air-adjusting damper to adjust the air inside the burner for burning process. If the fire is abnormal (i.e. red, yellow, or unstable), adjust the damper with a screwdriver until the fire turns back to normal.



BH 1725 LAT & BH 1725 LBT

Timer controls on left burners. When the timer is set, it will count backwards. "0", display shows "OFF". All burners turn off, warning "BEE" will sound.

TIMER control

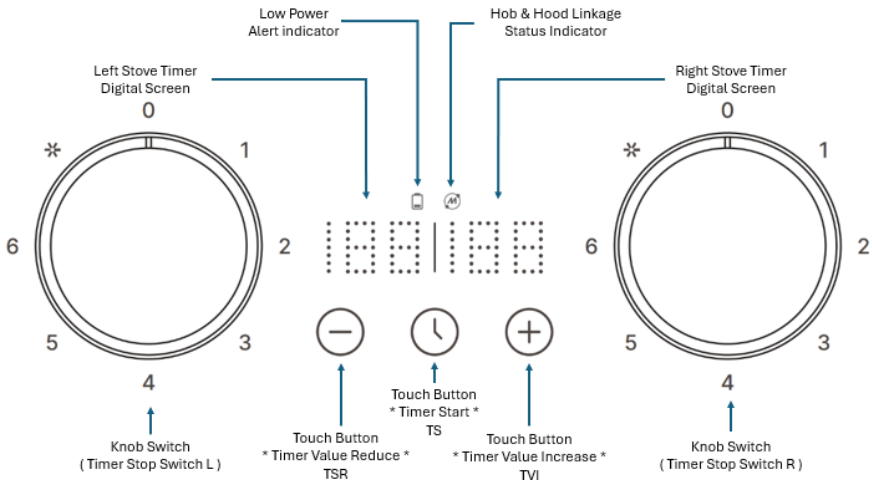


1. "--", default setting. Connect the power, it sounds "Bee" once and display show "--". 5 second later, display turn off automatically.
2. Pressing the TIMER button to control timer ON and OFF.,
3. Press timer button, display shows "ON".

4. Turn On left burner.
5. Then set the desired cooking time by pressing “-” and “+” buttons. This timer can be set from 1min to 120mins. Once time is set and no future operation, it will start to count backward automatically.
6. Once set time count backwards to zero, display shows “0”. Warning “BEE” will sounds until user press any button and turn all burner control knobs to OFF.
7. If Timer is counting backwards, but all burners turn off by burner control knob, the timer will keep count backwards to zero, then display shows “ON”..

BH 8725 HABK & BH 8725 HAGY

Gas hob control panel



Timer setting:

- Timer Start * TS *
- Timer Value Reduce * TVR *
- Timer Value Increase * TVI *

Start timer setting:

Long press *TS* button to start timer setting; when digital screen start blink, short press *TS* to switch left and right stove timer setting within 2 seconds, no operation within 2 seconds will automatically exit timer setting.

Set the timer time

After starting the timer setting, press *TVI* or *TVR* button to set the timer time:


1. Short press *TVI* or *TVR* button to set the timer value increment or decrement by 1 minutes;
2. long press *TVI* or *TVR* button to set the timer value increment or decrement by 10 minutes
3. Then short press*TS* button to start timing (no operation within 2 seconds can also automatically start timing)
4. 25 seconds after the completion of the setting, will automatically rest digital screen.


Cancel timing:

Long press the combination of button *TVR* and *TS* to cancel the left stove timing settings; long press the combination of button*TVI* and*TS* to cancel the right stove timer setting, or directly turn knob to close stove can also cancel the timing.

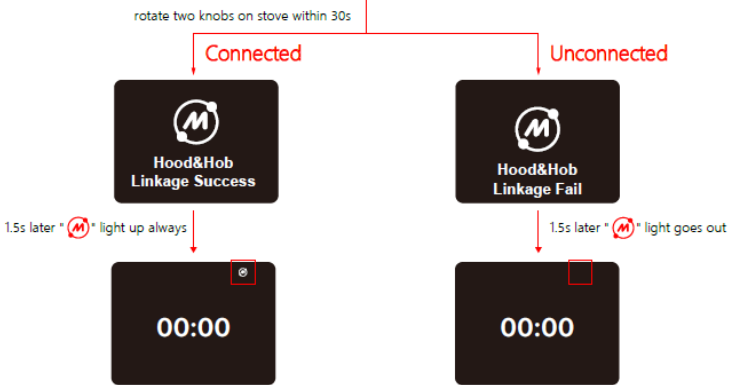
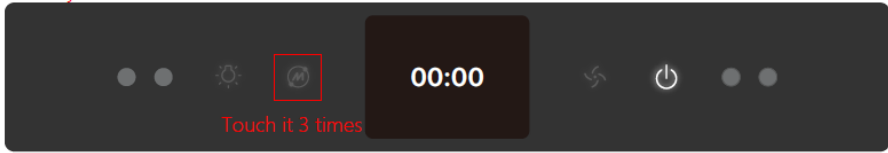
Hob & Hood Linkage

When hood in standby status, touch linkage button 3 times continuously to enter

the linkage setting status, the linkage status indicator  is blinking, then rotate the two knobs of gas stove at the same time within 30 seconds. When the linkage


is successful established, the linkage status indicator  will keep light up in the TFT Display.

Standby state * Cooker Hood *

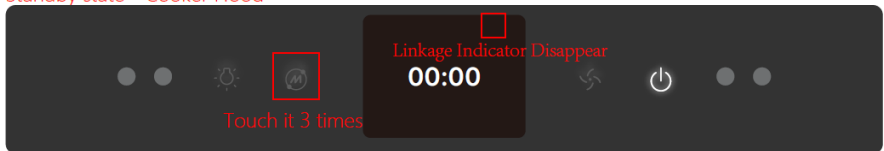


Disable Hob & Hood Linkage

Under linkage established status, touch linkage button  3 times continuously, and do not turn on gas stove within 30 seconds.

When the linkage status indicator  disappear in the TFT display, linkage status disabled.

Standby state * Cooker Hood *



How to Use the Burner

To use the burner properly, compare the burner diameter with cooking equipment diameter. Cooking equipment diameter must be proportional to the power of burner so we can save the gas usage and fasten the cooking process.

Burner	Recommended Pot Diameter (cm)
Small	12-14
Medium	14-20
Large	18-26
Double Rings	18-28
Triple Ring	18-28



Diameter of cooking equipment does not exceed the maximum recommended size based on the above table.

If the diameter exceeds the size of the cooking equipment that has been recommended, then the hot stove/burner cannot circulate properly, this can cause the glass top plate broken.

Maximum load of cooking equipment and food ingredients are 10 kg.

PART 5: MAINTENANCE

MODENA gas cooker are designed specifically for long-term use of time so it does not require complex treatment. However, there are some things that are encouraged to care for your gas cooker quality.

Enameled Part

Clean enameled layer with sponge and warm soap water. Do Not use the abrasive detergent. Dry after washing process

Stainless Steel Part

Clean stainless steel part with a wet towel or special detergent for stainless material. After that, dry it with soft towel.

Grid

Part of enameled grid can be wash or put into the dishwasher

Burner

Burner can be removed and cleaned using soapy water. After cleaning, dry the burner completely and reinstall it with the right position.

Ignition Plug and Gas Safety Device

Clean the ignition plug and gas safety device after cooking, especially if there are drops or spills from the pan during cooking

PART 6: TROUBLESHOOTING

Problem	Possible Cause	Recommended Action
Ignition does not work	<ul style="list-style-type: none">• Battery runs out.• Control knob is not in maximum fire position.	<ul style="list-style-type: none">• Make sure that the battery is installed correctly.• Ensure the battery is still charged electricity.• Ensure knob has been pressed and rotated toward the star symbol.
Gas Leakage	<ul style="list-style-type: none">• Knob is not in OFF position.• Gas leakage due to improper gas hose and regulator installation.	<ul style="list-style-type: none">• Ensure all knobs are in the OFF position.• Check whether the gas hose and regulator have been installed properly.• Perform a gas leak test at the gas hose, regulators, and cylinders, especially on the connectors.• If you still able to smell the gas, disconnect the regulator from the cylinder immediately, do not light a fire.• Contact MODENA Call Center for service.

Problem	Possible Cause	Recommended Action
Fire is not normal (Red / small / unstable)	<ul style="list-style-type: none"> • Gas supply obstructed/in terfered. 	<ul style="list-style-type: none"> • Make sure that the holes in the burner is not clogged with spillovers. • Clean the burner, including the fire holes.
	<ul style="list-style-type: none"> • Insufficient gas amount. 	<ul style="list-style-type: none"> • Check the gas amount on the regulator's gas indicator. Make sure the gas amount is still sufficient.
	<ul style="list-style-type: none"> • Lack of oxygen supply due to improper air circulation. 	<ul style="list-style-type: none"> • Make sure that the room's air circulation is convenient for gas use.

PART 7: PRECAUTION

- Always lower the heat or turn off the fire before lifting pan from the burner.
- During cooking process, fat or oil must be carefully treated because this material can be burn if its reach certain temperature.
- When you smell gas, immediately release the regulator from the gas tank, do not light a fire and immediately contact MODENA Service Center.
- Frequently check the gas hose, to make sure that gas hose is far from hot surface, and Not in bent position. Make sure the outer surface of hose isn't cracked so that can be a leakage.
- Always remember that territory around the gas stove can be hot for the long time (around 30 minutes) after you turn off the gas stove.
- Do the routine service on your built-in hob every 3 (three) month, because if the is something wrong on your Built-in hob, you can immediately detect and repair

PART 8: SPECIFICATION

TYPE	BH 6725 LF	BH 6935 LF	BH 5725 LK	BH 5725 LO
Numbers of Burner	2	3	2	2
Burners Composition	2 Triple Rings	2 Triple Rings 1 Medium Burner	2 Triple Rings	2 Triple Rings
Gas Safety Device	Yes	Yes	Yes	Yes
Ignition Source	Battery	Battery	Battery	Battery
Material	Glass	Glass	Glass	Glass
Pan Support	Yes	Yes	Yes	Yes
Wok Adaptor	No	No	No	No
Product Dimension (L x W x H) mm	780 x 450 x 120	820 x 520 x 120	780 x 450 x 120	730 x 420 x 120
Cut-out dimension (L x W) mm	685 x 400	820 x 475	635 x 350	635 x 350

TYPE	BH 2723 LL	BH 2933 LL	BH 2733 LL	BH 7723 LLD
Numbers of Burner	2	3	3	2
Burners Composition	2 Double Rings	2 Double Rings 1 Medium Burner	2 Double Rings 1 Medium Burner	2 Double Rings
Gas Safety Device	Yes	Yes	Yes	Yes
Ignition Source	Battery	Battery	Battery	AC Power
Material	Glass	Glass	Glass	Glass
Pan Support	Yes	Yes	Yes	Yes
Wok Adaptor	No	No	No	No
Product Dimension (L x W x H) mm	780 x 480 x 100	865 x 510 x 100	780 x 480 x 100	780 x 450 x 100
Cut-out dimension (L x W) mm	703 x 403	827 x 470	703 x 403	703 x 403

TYPE	BH 2723 LJ	BH 2933 LJ
Numbers of Burner	2	3
Burners Composition	2 Double Rings	2 Double Rings 1 Medium Burner
Gas Safety Device	Yes	Yes
Ignition Source	Battery	Battery
Material	Glass	Glass
Pan Support	Yes	Yes
Wok Adaptor	No	No
Product Dimension (L x W x H) mm	780 x 480 x 100	865 x 510 x 100
Cut-out dimension (L x W) mm	660 X 360	827 x 470

TYPE	BH 4724	BH 4934	BH 4727	BH 4937
Numbers of Burner	2	3	2	3
Burners Composition	2 Double Rings	2 Double Rings 1 Medium Burner	2 Double Rings	2 Double Rings 1 Medium Burner
Gas Safety Device	Yes	Yes	Yes	Yes
Ignition Source	Battery	Battery	Battery	Battery
Material	Glass	Glass	Glass	Glass
Pan Support	Yes	Yes	Yes	Yes
Wok Adaptor	No	No	No	No
Product Dimension (L x W x H) mm	780x450x100	865x510x100	780x450x100	865x510x120
Cut-out dimension (L x W) mm	660 x 360	827x470	660 x 360	827x470

TYPE	BH 1725 LA	BH 1725 LB	BH 1935 LA	BH 1935 LB
Numbers of Burner	2	2	3	3
Burners Composition	2 Triple Rings	2 Triple Rings	2 Triple Rings 1 Medium Burner	2 Triple Rings 1 Medium Burner
Gas Safety Device	Yes	Yes	Yes	Yes
Ignition Source	Battery	Battery	Battery	Battery
Material	Glass	Glass	Glass	Glass
Pan Support	Yes	Yes	Yes	Yes
Wok Adaptor	Yes	Yes	Yes	Yes
Product Dimension (L x W x H) mm	730x420x120	730x420x120	865x510x100	865x510x100
Cut-out dimension (L x W) mm	660x360	660x360	827x470	827x470

TYPE	BH 2724	BH 2934	BH 2727	BH 2937
Numbers of Burner	2	3	2	3
Burners Composition	2 Triple Rings	2 Triple Rings 1 Medium Burner	2 Double Rings	2 Double Rings 1 Medium Burner
Gas Safety Device	Yes	Yes	Yes	Yes
Ignition Source	Battery	Battery	Battery	Battery
Material	Glass	Glass	Glass	Glass
Pan Support	Yes	Yes	Yes	Yes
Wok Adaptor	Yes	Yes	No	No
Product Dimension (L x W x H) mm	730x420x120	865x510x120	730x420x120	865x510x120
Cut-out dimension (L x W) mm	660X360	827x470	660X360	827x470

TYPE	BH 1725 LA MASSA BH 1725 MIMA	BH 2725	BH 2935	BH 1725 LG
Numbers of Burner	2	2	3	2
Burners Composition	2 Triple Rings	2 Triple Rings	2 Triple Rings 1 Medium Burner	2 Triple Rings
Gas Safety Device	Yes	Yes	Yes	Yes
Ignition Source	Battery	Battery	Battery	Battery
Material	Glass	Glass	Glass	Glass
Pan Support	Yes	Yes	Yes	Yes
Wok Adaptor	Yes	Yes	Yes	Yes
Product Dimension (L x W x H) mm	730x420x120	730x420x120	865x510x100	760x450
Cut-out dimension (L x W) mm	660x360	660x360	827x470	670 X 370

TIPE	BH 1728	BH 1728 LA	BH 1728 LB	BH 1725 LAT	BH 1725 LBT
Numbers of Burner	2	2	2	2	2
Burners Composition	2 Triple Rings	2 Triple Rings	2 Triple Rings	2 Triple Rings	2 Triple Rings
Gas Safety Device	Yes	Yes	Yes	Yes	Yes
Ignition Source	Battery	Battery	Battery	AC Power	AC Power
Material	Glass	Glass	Glass	Glass	Glass
Pan Support	Yes	Yes	Yes	Yes	Yes
Wok Adaptor	Yes	Yes	Yes	Yes	Yes
Product Dimension (L x W x H) mm	730x420x120	730x420x120	730x420x120	730x420x120	730x420x120
Cut-out dimension (L x W) mm	660x360	660x360	660x360	660x360	660x360

TYPE	BH 1945	BH 1935	BH 1735	BH 1725
Numbers of Burner	4 Gas	3 Gas	3 Gas	2 Gas
Burners Composition	1 Triple Rings 1 large Burner 1 medium Burner 1 small Burner	2 Triple Rings 1 Medium Burner	1 Triple Rings 1 large Burner 1 Medium Burner	2 Triple Rings
Gas Safety Device	Yes	Yes	Yes	Yes
Ignition Source	Battery	Battery	Battery	Battery
Material	Glass	Glass	Glass	Glass
Pan Support	Yes	Yes	Yes	Yes
Wok Adaptor	Yes	Yes	Yes	Yes
Product Dimension (L x W x H) mm	865x510x120	865x510x120	730x420x120	730x420x120
Cut-out dimension (L x W) mm	827x470	827x470	660x360	660x360

TYPE	BH 1725 W	BH 1645	BH 1315	BH 1945 LA
Numbers of Burner	2 Gas	4 Gas	1 Gas	4 Gas
Burners Composition	2 Triple Rings	1 Triple Rings 1 large Burner 1 medium Burner 1 small Burner	1 Triple Rings	1 Triple Rings 1 large Burner 1 medium Burner 1 small Burner
Gas Safety Device	Yes	Yes	Yes	Yes
Ignition Source	Battery	Battery	Battery	Battery
Material	Glass	Glass	Glass	Glass
Pan Support	Yes	Yes	Yes	Yes
Wok Adaptor	Yes	Yes	Yes	Yes
Product Dimension (L x W x H) mm	730x420x120	600x510x100	295x510x100	865x510x120
Cut-out dimension (L x W) mm	660x360	555x473	266x478	827x470

TYPE	BH 1325	BH 1325 LA	BH 0935	BH 0325	BH 0725 BH 0725 ADBK
Numbers of Burner	2	2	3	2	2
Burners Composition	1 Triple Rings 1 Medium Burner	1 Triple Rings 1 Medium Burner	2 Triple Rings 1 Medium Burner	1 Triple Rings 1 Medium Burner	2 Triple Rings
Gas Safety Device	Yes	Yes	No	No	No
Ignition Source	Battery	Battery	Battery	Battery	Battery
Material	Glass	Glass	Glass	Glass	Glass
Pan Support	Yes	Yes	Yes	Yes	Yes
Wok Adaptor	Yes	Yes	Yes	Yes	Yes
Product Dimension (L x W x H) mm	295 x 510 x 100	295 x 510 x 100	865x510x120	295x510x100	730x420x120
Dimensi Lubang(L x W) mm	266 x 473	266 x 473	827x470	266x478	660x360

TYPE	BH 1325 ABBK BH 1325 ACBK	BH 1725 ABBK BH 1725 ACBK	BH 1935 ABBK
Numbers of Burner	2	2	3
Burners Composition	1 Triple Rings 1 Medium Burner	2 Triple Rings	2 Triple Rings 1 Medium Burner
Gas Safety Device	Yes	Yes	Yes
Ignition Source	Battery	Battery	Battery
Material	Glass	Glass	Glass
Pan Support	Yes	Yes	Yes
Wok Adaptor	Yes	Yes	Yes
Product Dimension (L x W x H) mm	295 x 510 x 100	730x420x120	865x510x120
Dimensi Lubang(L x W) mm	266 x 473	660x360	827x470

TYPE	BH 5725 AABK	BH 5725 BABK
Numbers of Burner	2	2
Burners Composition	2 Triple Rings	2 Triple Rings
Gas Safety Device	Yes	Yes
Ignition Source	Battery	Battery
Material	Glass	Glass
Pan Support	Yes	Yes
Wok Adaptor	Yes	Yes
Product Dimension (L x W) mm	730 X 410	730 X 410
Dimensi Lubang(L x W) mm	650 X 350	650 X 350

TYPE	BH 2725 GABK	BH 2725 GBBK	BH 2725 ZMCA
Numbers of Burner	2	2	2
Burners Composition	2 Double Rings	2 Double Rings	2 Double Rings
Gas Safety Device	Yes	Yes	Yes
Ignition Source	Battery	Battery	Battery
Material	Glass	Glass	Glass
Pan Support	Yes	Yes	Yes
Wok Adaptor	No	No	No
Product Dimension (L x W x H) mm	730 X 420	730 X 420	730 X 420
Dimensi Lubang(L x W) mm	660 X 360	660 X 360	660 X 360

TYPE	BH 8725 HABK	BH 8725 HAGY
Numbers of Burner	2	2
Burners Composition	2 Double Rings	2 Double Rings
Gas Safety Device	Yes	Yes
Ignition Source	Battery	Battery
Material	Glass	Glass
Pan Support	Yes	Yes
Wok Adaptor	No	No
Product Dimension (L x W x H) mm	780 X 440	780 X 440
Dimensi Lubang(L x W) mm	(630-710) X (330-390)	(630-710) X (330-390)

The specifications of this product can be changed without notice to improve product quality

The images in this manual are general descriptions and may not match the actual product. The values listed on the label or in the documentation contained there in are obtained from laboratories that comply with the relevant standards. Depending on the environmental and operating conditions of the device



PT MODENA INDONESIA

Jl. Industri Raya I Blok D-8,
Jatiuwung, Tangerang 15135