

**MODENA**

# ***User Manual Book***

## ***Vacuum Cleaner***

VC 2030 DASS  
VC 3030 DASS

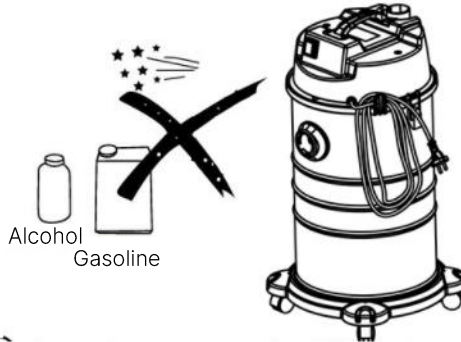
# TABLE OF CONTENT

Part 1: Important Safety Information	3
Part 2: Product Introduction	5
Product Components	5
Accessories	6
Part 3: How to Use	6
Conection	6
Operating Instructions	7
Use of Accessories	7
Special Instruction	8
Part 4: Maintenance	8
Part 5: Specification	9

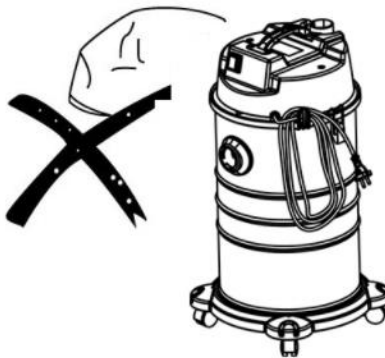
This manual book explains everything you need to know about your new product. Please contact our Customer Care should you need further assistance through [www.modena.com](http://www.modena.com).

## PART 1: IMPORTANT SAFETY INFORMATION

1. Check before operation that the local power supply is the same as the specification on the rating label.
2. Do not use machine in the combustible and explosive place in case the motor spark causes fire.



3. Do not jam the air inlet mouth in case temperature rises and damaging the motor.



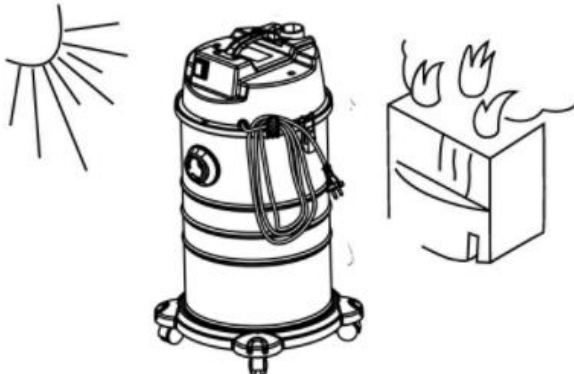
4. Do not collect combustible and explosive objects such as glowing cigarette, gasoline, etc.



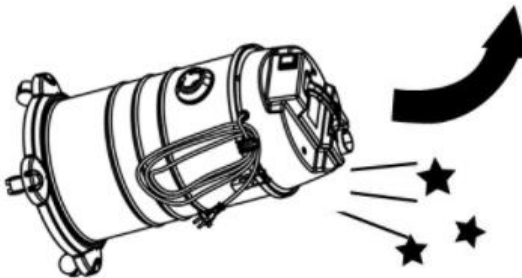
5. Do not collect sharp objects.



6. Do not collect objects which can easily attach on the filter such as calcareousness powder, gesso, and graphite powder. Because those will block the ventilation damage motor.



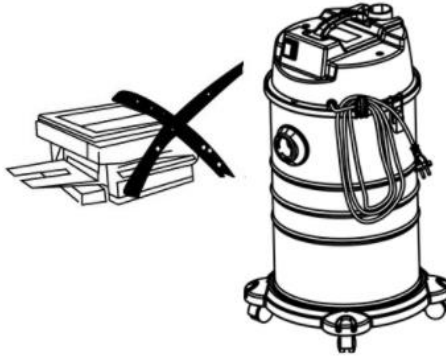
7. Do not overturn the machine in case water goes into the motor and damages the motor.



8. Do not use this machine as pump in case of damaging the motor.

9. Turn off the machine and remove the plug each time after using or when being repaired.

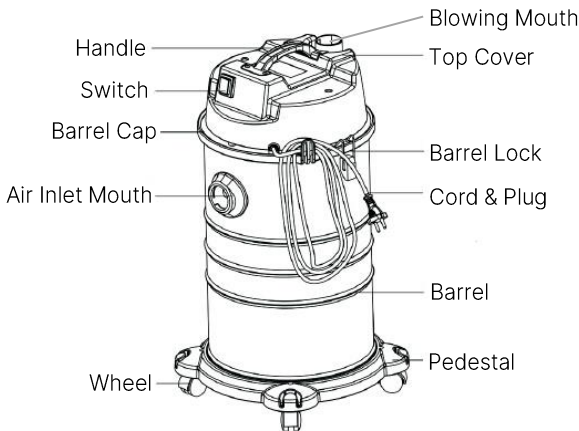
10. Keep machine away from strong sunlight and high temperature place in case plastic is distorted.



- 11. Do not wrest, tramp, or haul hose in case of making it damaged.
- 12. Do not immerse the barrel cap into the water or wash with water in case water goes into the lactiferous parts and causing person injured. The correct way should be: immerse the dishcloth firstly, and then dry it. Finally, wipe the dirty part gently.
- 13. The power cord must be replaced by the designated repairing center or professionals.

## PART 2: PRODUCT INTRODUCTION

### Product Components



## Accessories



Floor Brush



Hose Assembly



Metal Tube



HEPA Filter



Cloth Filter



Crevice Nozzle



Bristle Brush

## PART 3: HOW TO USE

### Connection

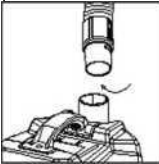
1. Insert the hose connector into the air inlet mouth, as shown in the picture; make sure the connector is tightly fastened.



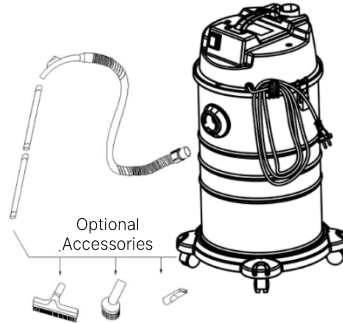
2. Press the connector button as shown in the picture and pull the connector out when you want to pull hose connector from machine.



3. Insert hose connector into the blowing mouth as shown in the picture when you want to use its blowing function.

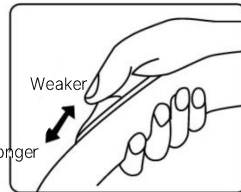


- As shown in the picture, connect all the accessories.



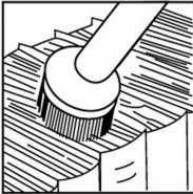
### Operating Instructions

- Insert the plug into the supply socket.
- Press switch button, the machine begins to work.
- Adjust the airflow by pushing the sliding block up and down.

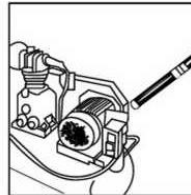
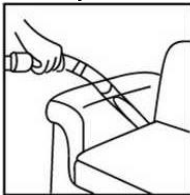


### Use the right accessories according to different situations

- Bristle for bookshelves or windows. Floor brush for floor and carpet, tables, etc.



- Crevice nozzle for crevice, corner, etc. Blowing mouth for blowing the dust away in the crevice of the machine.



### Special instruction concerning protective device

1. When the water in the barrel is full, the safety valve will be floated and stuck the motor. The suction power will vanish at this moment. The machine will make some noise which indicates the motor is running at a high speed. Under this circumstance, you should cut off the electricity, and clean out the water. Then equip the machine and turn it on, it will begin to work normally.
2. When the machine was overturned, the device will keep working. Cut off the electricity and make it upright, then turn on the machine.
3. When using the device, motor may be damaged and cause fire. Under this circumstance, you should stop using and clean out the water, then you can begin to use it.

## PART 4: MAINTENANCE

### Barrel Cleaning

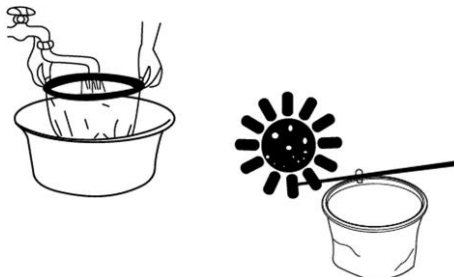
After working or when the barrel is full of dust which causes suction decrease considerably, you should cut off the electricity and clean the dust away from the barrel.

1. Unfasten the locking knob, lift the top cover.
2. Take off the filter bag, clean the dust away in the dust barrel.
3. Install the filter bag back and place the top cover.

### Filter Bag Cleaning

Filter bag should be washed by clean and warm water when it is covered with dust. If necessary, you can use litmus less scour to wash.

1. Take off the filter
2. Wash
3. Dry





## PART 5: SPECIFICATIONS

Model	VC 3030 DASS	VC 2030 DASS
Type of Product	Wet & Dry Vacuum Cleaner	Wet & Dry Vacuum Cleaner
Color	Black Cover + Stainless Barrel	Black Cover + Stainless Barrel
Capacity	30 L	20 L
Power	1200 W	1200 W
Brush Head	Floor Brush, Crevice Nozzle, and Bristle Brush	Floor Brush, Crevice Nozzle, and Bristle Brush
Filter	HEPA + Non-Woven Cloth	HEPA + Non-Woven Cloth
Suction Power	17 kPa	17 kPa
Power Cord Length	4.5 m	4.5 m
Dimension	360 x 357 x 670 mm	360 x 357 x 530 mm

Specifications of this appliance may change without notice to improve the quality of the product. Pictures in this manual are schematic and may not match your product exactly. Values stated on the machine labels or in the documentation accompanying it are obtained in laboratory in accordance with the relevant standards. Depending on operational and environmental conditions of the appliance, values may vary.

**MODENA**