

MODENA

User Manual Book (Multifunction Kitchen Sink)

KS 3191 PTMB

MODENA

Thank you for your trust in choosing MODENA products for your household needs. With your satisfaction as our priority, we constantly aim to deliver stylishly designed products equipped with state-of-the-art technology to assist you in your daily activities.

This is your guidebook containing everything you need to know about our product. Please reach out to us if you need further assistance or other information via our Customer Care or our official website www.modena.com.

TABLE OF CONTENT

Part 1: Installation Instruction	4
Waterfall Faucet Installation	4
Product Dimension	5
Product Partlist	6
Installation Steps	6
Usage Instruction	10
Sink Installation	11
Product Dimension	11
Installation Steps	12
Cup Washer Instalation	14
Product Dimension	14
Installation Steps	14

This manual book explains everything you need to know about your new product. Please contact our Customer Care should you need further assistance through www.modena.com.

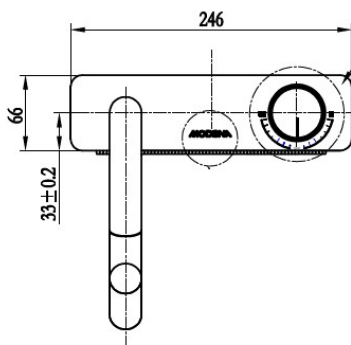
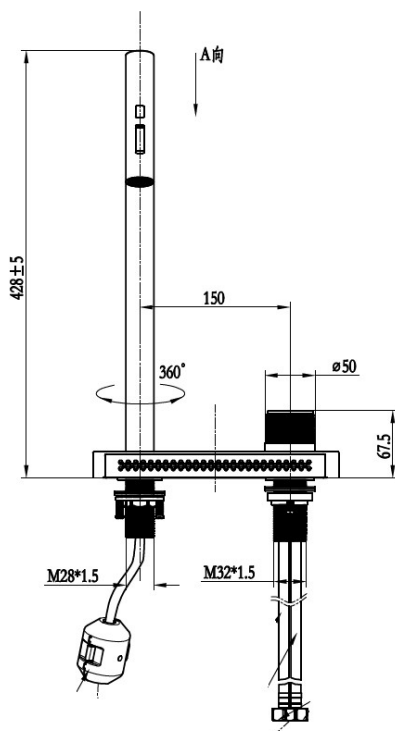
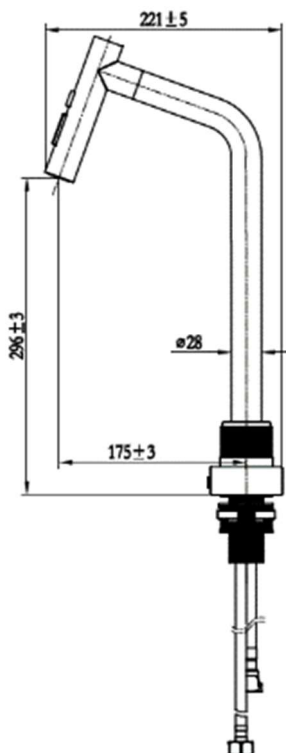
BAGIAN 1: INSTRUKSI PEMASANGAN

Waterfall Faucet Installation

NOTES





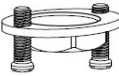





1. The main body of the faucet has been tested and adjusted during the production, please do not disassemble it by yourself
2. Before installing the faucet, be sure to remove the impurities and sludge in the embedded water pipe first, so as not to block the faucet and affect the water
3. After installing, please check whether the connections are tight and whether the pipes are leaking
4. If you are installing a new sink, you can install the faucet on the sink first
5. The maximum working pressure of the shower 0.5 MPa (5 bar). When the water pressure exceeds 0.5 MPa (5 bar) a pressure reducing valve must be installed. Maximum operating and ambient temperature of the shower is 60°C. Please pay special attention to keep the arm pipe connecting the shower head and the shower head away from the heater, otherwise the shower head and its seal may be damaged and injured the user.
6. After the faucet closed there will be a delay for the water to completely shut off from main faucet or waterfall. This is normal if happens under 1 minute after faucet turned off.

Product Dimension



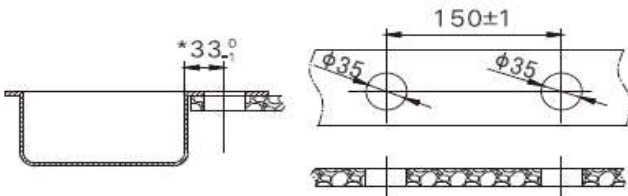
Product Partlist

After opening the faucet package, please check:

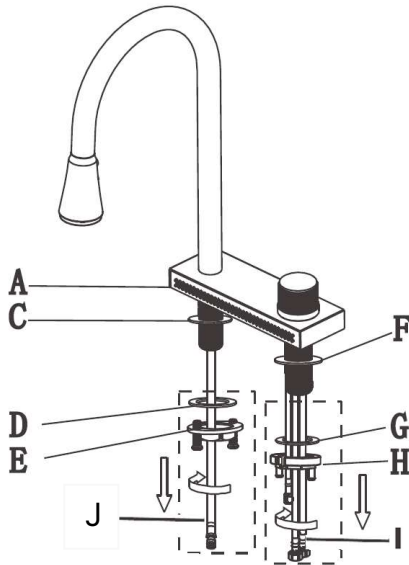
No	Part Name	Picture	Pcs
A	Faucet Main Body		1
B	Gravity Ball		1
C	EVA Gasket 1		1
D	SS Gasket 1		1
E	Fixing Nut Group 1		1
F	EVA Gasket 2		1
G	SS Gasket 2		1
H	Fixing Nut Group 2		1
I	Waterfall Inlet Pipe		2
J	Faucet Outlet Pipe		1

Installation Steps

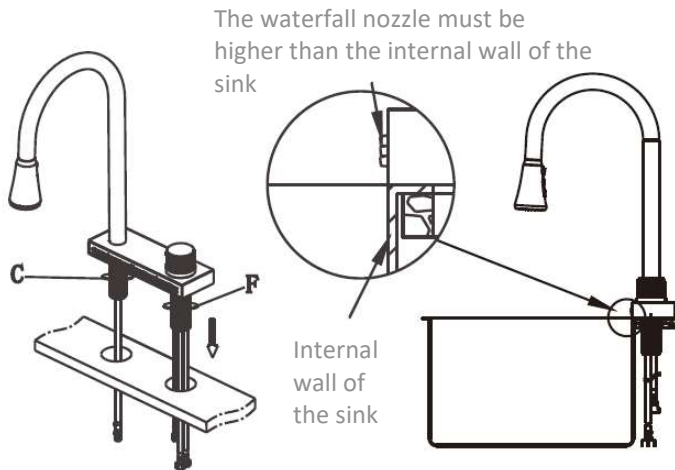
1. Fit the faucet dimension on sink like below image:



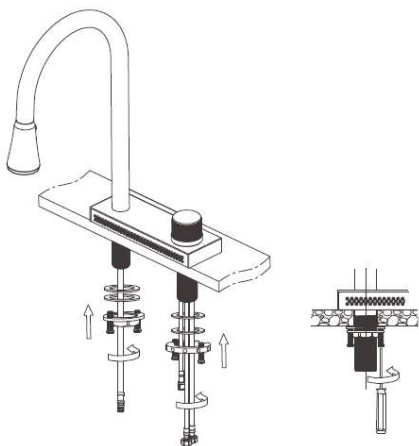
2. Install the component according to below image:



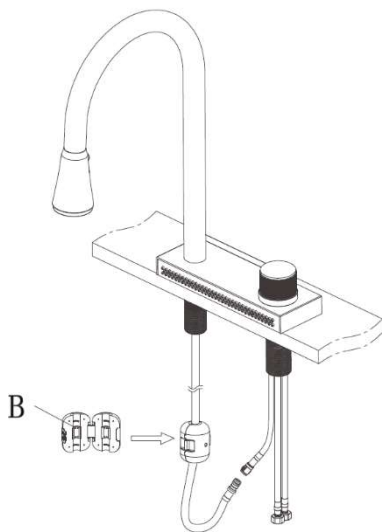
3. Put the faucet that has been assembled to the sink:




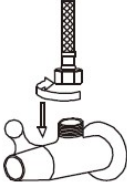
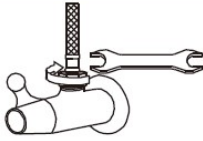
4. Tighten the nut of faucet according to below image:



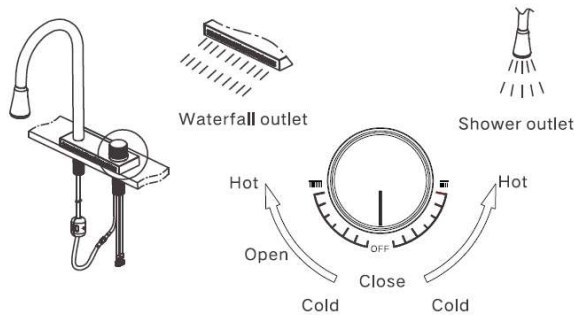
5. Put the gravity ball to the hose according to below image:



6. Connect the hose to water valve

	<p>Turn on the valve switch, wash sand out of the pipe first.</p>
	<p>Turn off the valve switch and screw the inlet hose to the valve.</p>
	<p>Tighten the hose with a wrench</p>

Usage Instructions



1. Turn the knob to the **left** to use the waterfall faucet.

**Note: If any heater available, turn the knob to the left to increase the temperature (refer to the image above)*

2. Turn the knob to the right to use the main faucet.

**Note: If any heater available, turn the knob to the right to increase the temperature (refer to the image above)*

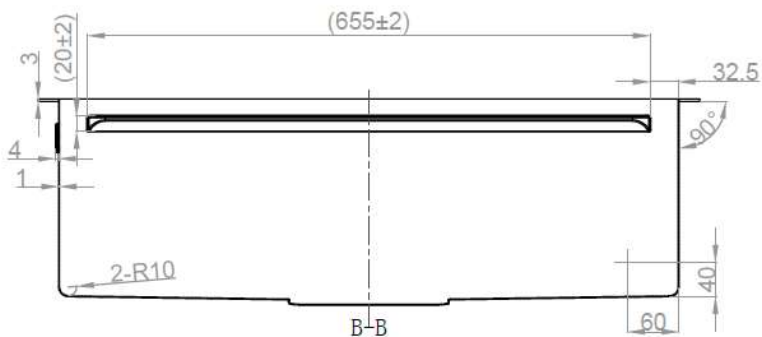
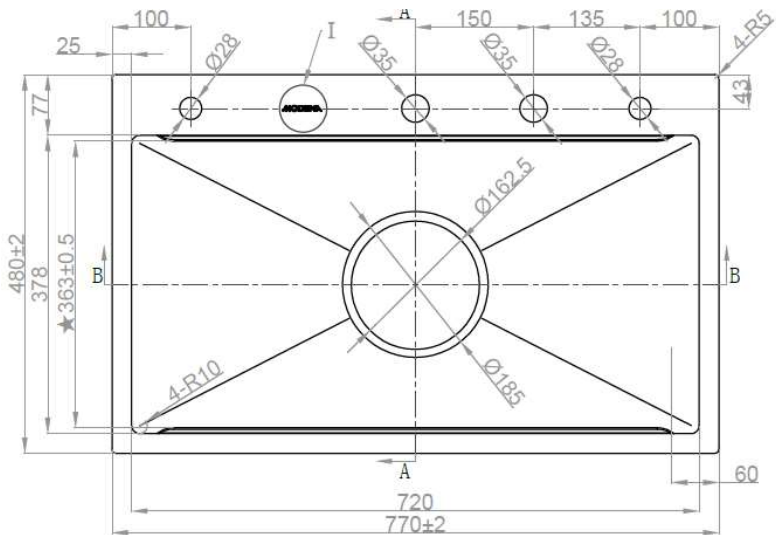
3. Turn back the knob to the center position to shut off the faucet.

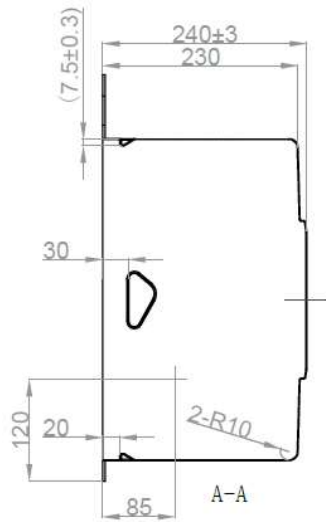
NOTES

After the faucet closed there will be a delay for the water to completely shut off from main faucet or waterfall. This is normal if happens under 1 minute after faucet turned off.

Sink Installation

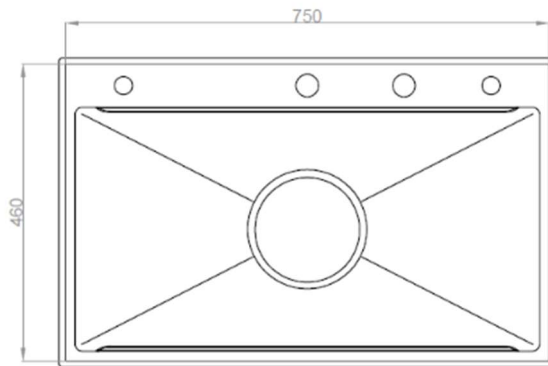
Product Dimension



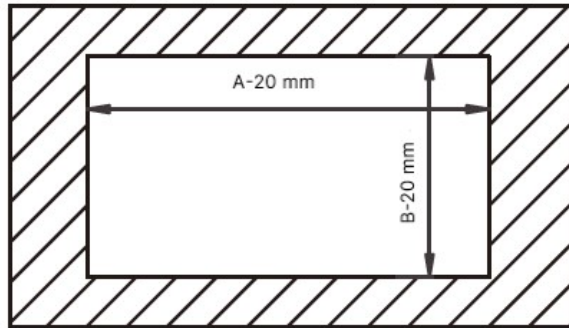


Installation Steps

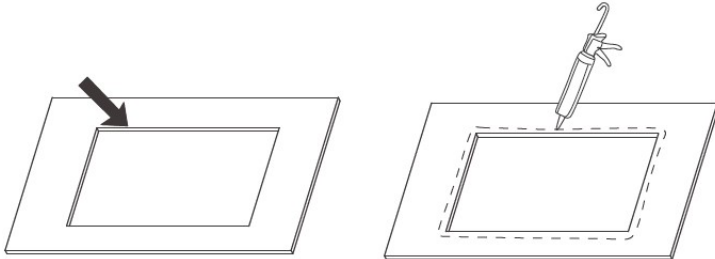
Cut Out Dimension



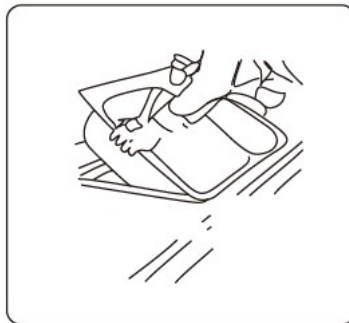
1. Prepare a hole according to the image below:



2. Draw a line to help make the hole and install the sink:



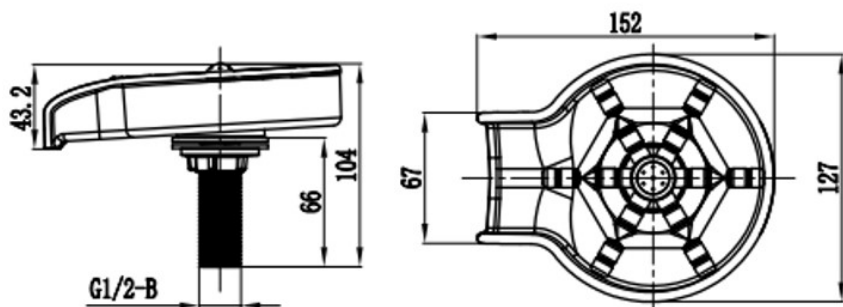
3. Put the sink slowly and carefully to the hole:



4. Kindly check again the sink position so there won't be any gap or misplaced on every side of the sink.

Cup Washer Installation

Product Dimension



Installation Steps

Please check for the component's availability:



1. Assembly the high pressure nozzle to the cup:



2. Put the gasket on the top of hole that cup washer will be installed:



3. Put the cup washer above the hole:



4. Put gasket and nut below to lock the cup washer:



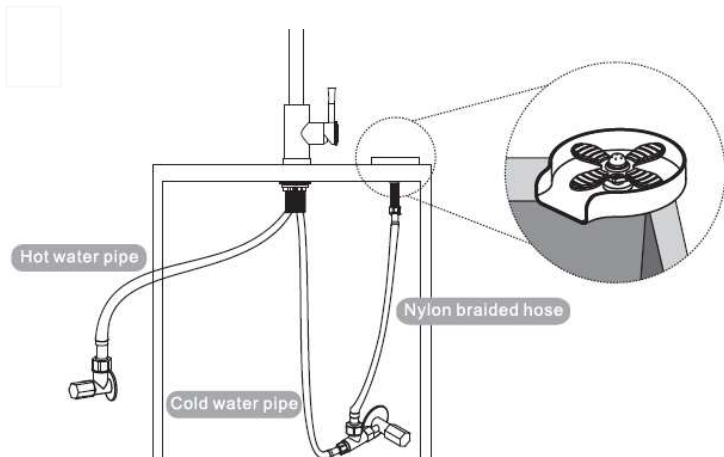
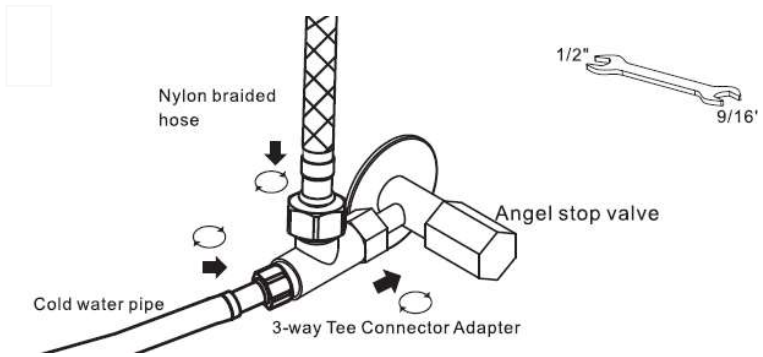
5. Tighten the lock on top and make sure the cup not moving:



6. Assemble the hose and make sure no leakage:



7. Install the T-connector and hose to the water source:





PT MODENA INDONESIA
Jl. Industri Raya I Blok D-8,
Jatiuwung, Tangerang 15135