

# **User Manual Book Dishwasher**

WP 1200 FDWH



# TABLE OF CONTENT

Part 1: Safety Information	5
Safety Precaution	5
Grounding Instruction	6
Environmental Notice	7
Part 2: Name of Parts	8
Part 3: Installation Instructions	9
Installation Location	9
Installation Preparation	9
Power Connection	9
Water Connection	10
Drain Hose Connection	11
Positioning the Appliance	12
Part 4: How to Use	14
Control Panel	15
Before Using Your Dishwasher	16
Filling The Salt Container	16
Adjusting Salt Consumption	18
Loading The Basket	19
Function Of Rinse Aid	21
When To Refill Rinse Aid	21
Function of Detergent	22
Filling the Rinse Aid Dispenser	23
Adjusting The Rinse Aid	23
Filling The Detergent Dispenser	24
Wash Programs	25
Turning On The Appliance	25
Changing The Program	26
Adding Dish	27
Part 5: Maintenance	27
External Maintenance	27
Internal Maintenance	28
Moving The Appliance	31
If Not In Use For A Long Time	31
Part 6: Troubleshooting	32
Error Code	34
Part 7: Specification	36

This guide book explains everything you need to know about your new product. Please contact our Customer Care should you need further assistance through [www.modena.com](http://www.modena.com)

## PART 1: SAFETY INFORMATION

### Safety Precaution

- This appliance is intended to be used in household and similar applications such as:
  - staff kitchen areas in shops, offices and other working environments;
  - farm houses;
  - by clients in hotels, motels and other residential type environments;
  - bed and breakfast type environments.
- This appliance is not intended for use by persons (including children) with reduced physical, sensory or mental capabilities, or lack of experience and knowledge, unless they have been given supervision or instruction concerning use of the appliance by a person responsible for their safety.
- This appliance is for indoor use only, for household use only.
- To prevent the risk of electrical shock, do not immerse the unit, cord or plug in water or other liquid.
- Please unplug the power plug before cleaning and maintaining the appliance.
- Use a soft cloth moisten with mild soap, and then use a dry cloth to wipe it again.
- Do not harm, sit on, or stand on the door or the dish rack of the dishwasher.
- Do not operate your dishwasher unless all panels are properly in place.
- Open the door very carefully if the dishwasher is operating, there is a risk of water sprays out.
- Do not place any heavy objects on or stand on the door when it is open. The appliance could fall forward.
- When loading items to be washed: 1) Check and place sharp items to ensure they won't damage the door seal; 2) Warning: Knives and other utensils with sharp points must be loaded in the basket with their points down or placed in a horizontal position.
- Check if the detergent powder is empty after completion of the wash cycle.

- Do not wash plastic items unless they are marked as dishwasher safe or the equivalent. For plastic items without mark, check the manufacturer's recommendations.
- Use only detergent that exclusively designed for an automatic dishwasher.
- Never use soap, laundry detergent, or hand washing detergent for this appliance.
- Supervise the children to ensure that they do not play with the appliance.
- The door should not be left open, since this could increase the risk of appliance to fall forward.
- If the supply cord is damaged, it must be replaced by the manufacturer or its service agent or a similarly qualified person in order to avoid hazard.
- During the installation, the power supply and the cord must not be bent or crushed.
- Do not tamper the controls.
- The appliance has to be connected to the water sources using new hose sets and the old hose-sets should not be reused.
- The maximum number of place settings to be washed is 8.
- The maximum permissible inlet water pressure is 1 MPa.
- The minimum permissible inlet water pressure is 0.04 MPa.

## **Grounding Instruction**

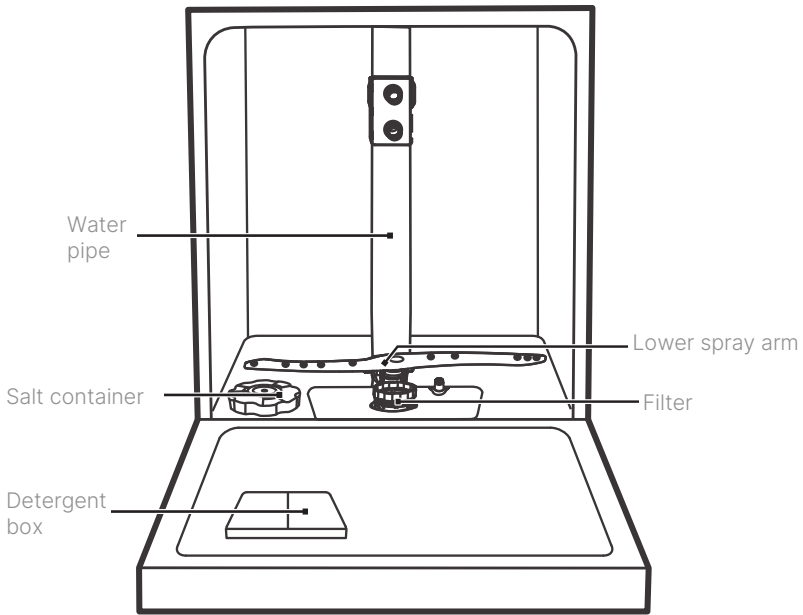
- This appliance must be grounded. When malfunction or breakdown occurs, grounding will reduce the risk of an electric shock by conducting the electric current to the ground. This appliance is equipped with a grounding-equipped conductor cord and a grounding plug.
- The plug must be plugged into an appropriate outlet that is installed and grounded in accordance with all local regulations and safety standards.
- Do not modify the plug provided with the appliance if it does not fit with the outlet. Have a proper outlet installed by a qualified electrician.
- Improper connection of the grounding-equipment conductor can result in the risk of electric shock. Check with a qualified electrician or service representative if you are in doubt whether the appliance is properly grounded.

## Environmental Notice

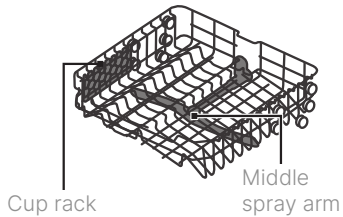


The packaging material used is recyclable. We recommend that you separate plastic, paper and cardboard and give them to recycling agents. According to WEEE (Waste of Electrical and Electronic Equipment) guidelines, waste from electrical and electronic devices should be collected separately. If you need to remove of this appliance in the future, do not throw it away with the rest of your domestic garbage. Instead, please take the appliance to the nearest WEEE collecting agents, where available.

## PART 2: NAME OF PARTS



Cutlery basket



Upper basket



Lower basket

### NOTE!

Above pictures are for reference only. Actual product may vary.



## PART 3: INSTALLATION GUIDE

### Installation Location

When selecting a position for your dishwasher you should make sure the installation surface is flat and firm, and the room is well ventilated. Avoid locating your dishwasher near a heat source, e.g. cooker, boiler or radiator. Extreme cold ambient temperatures may also cause the appliance not to perform properly. This dishwasher is not designed for use in a garage or outdoor installation. Do not drape the dishwasher with any covering. When installing, ensure that free space is left at the sides.

#### ATTENTION!

All parts removed must be saved to do the reinstallation in the future. Ensure the dishwasher is unplugged and empty. We recommend that 2 people handle the dishwasher during installation.

### Installation Preparation

- The installation of dishwasher should be placed near the existing water inlet tap, the drain outlet and power socket.
- One side of the sink cabinet should be chosen to facilitate the connection of drain hoses of the dishwasher.

### Power Connection

#### WARNING!

For personal safety:

- DO NOT use an extension cord or an adapter plug for this appliance
- DO NOT under any circumstances, cut or remove the grounding connection from the power cord

### Electrical requirements:

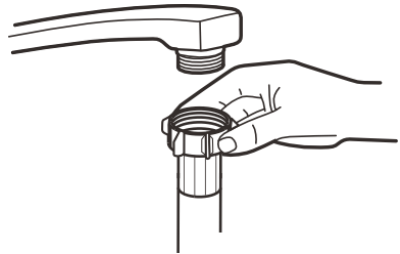
Please look at the rating label to know the rating voltage and connect the dishwasher to the appropriate power supply. Use the required fuse 10 amp, time delay fuse or recommended circuit breaker and provide separate circuit for this appliance only.

### Electrical connection:

Ensure the voltage and frequency of the power source match with the rating plate. Only insert the plug to an electrical socket that properly grounded. If the electrical socket is not suitable with the appliance's plug, replace the socket rather than using an adapters as it could cause overheating and risk of fire. Ensure that the grounding connection is proper before using the dishwasher!

### **Water Connection**

Connect the cold water supply hose to a threaded 3/4 inch connector and make sure that it is fastened tightly in place. If the water pipes are new or have not been used for an extended period of time, let the water run first to make sure that the water is clean and free of dirt. If this precaution is not taken, there is a risk that the water inlet get blocked and damage the appliance.



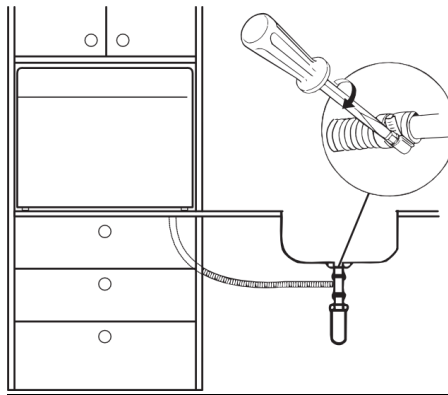
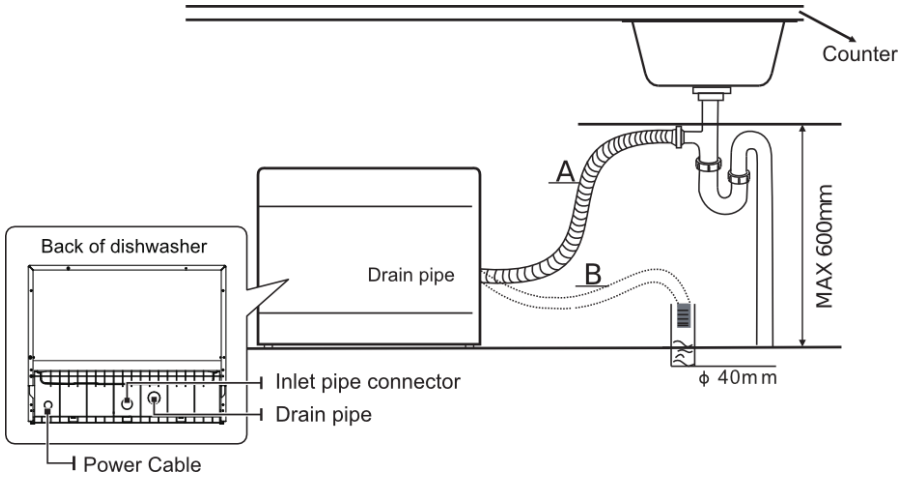
#### **NOTE!**

If the supplied hose does not fit your tap, please contact your local plumbing supply center where adapters are available for purchase.

## Drain Hose Connection

Insert the drain hose into a drain pipe with a minimum diameter of 40 mm, or let it run into the sink, make sure to avoid bending or crimping the hose. The height of drain pipe must be less than 600mm. The free end of the hose must not be submerged in water to avoid the back flow.

Ensure the drain hose is locked properly in either position A or position B!



### How to Drain Excess Water

If the sink is 1000 mm higher or more than the floor, the excess water in hoses cannot be drained directly to the sink. It will be necessary to drain the excess water from hoses to a bowl or bucket or suitable container that is held outside and is lower

### Water Outlet

Connect the water drain hose. The drain hose must be installed properly to avoid water leaks. Ensure that the water drain hose is not kinked or crushed.

### Extension Hose

If you need a drain hose extension, make sure to use a similar drain hose. It must be no longer than 4 meters, otherwise the cleaning effect of the dishwasher could be reduced.

### Syphon Connection

The waste connection must be at a height less than 100 cm (maximum) from the bottom of the dish. The water drain hose should be in a fixed condition.

## **Positioning the Appliance**

Position the appliance in the desired location. The back should stick to the wall behind it, and the sides to the adjacent cabinets or wall. The dishwasher is equipped with water inlet hose and drain hose that can be positioned to the right or the left to facilitate proper installation.

### Levelling the Appliance

Once the appliance is positioned for leveling, the height of the dishwasher can be adjusted by rotating the screw level of the feet. The appliance must not be skewed more than 2°.

### Freestanding Installation

The height of the dishwasher is 845 mm. It has been designed to fit the machine between the existing cabinets of the same height in modern kitchen cabinet. The feet can be adjusted so the desired height is reached. The laminated top of the machine does not require any

particular maintenance since it is heatproof, scratch proof and stain proof.

### Underneath The Existing Worktop

(When fitting beneath a worktop) In most modern fitted kitchens there is a single worktop cabinet in which an electrical appliance can be fitted there. In this case, remove the worktop of the dishwasher by unscrewing the screws on the top rear side (a).

#### **ATTENTION!**

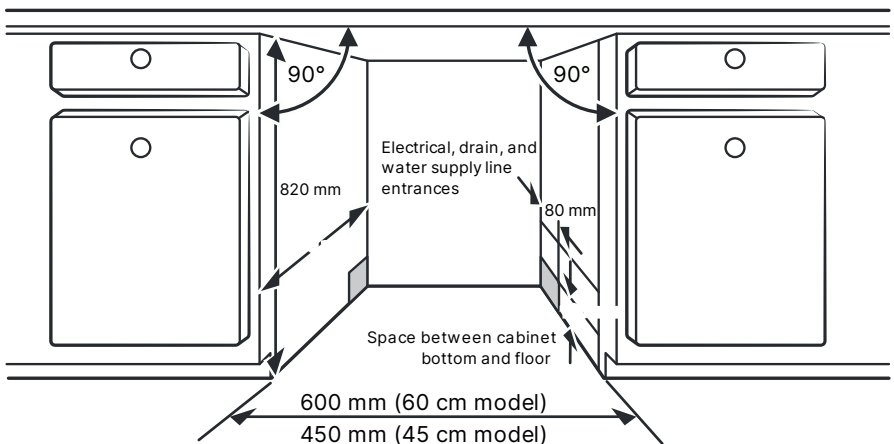
After removing the top, the screws must be installed again on the top edge of the rear side (b).

The height will then be reduced to 815 mm, according to the International Regulations (ISO) and the dishwasher will fit perfectly under the kitchen working top.

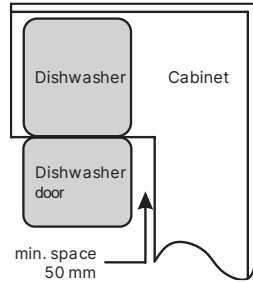
### Selecting The Best Installation Location

The installation position of dishwasher should be near the existing inlet and drain hoses and power cord. Illustrations of cabinet dimensions and installation position of the dishwasher.

1. Less than 5 mm between the top of dishwasher and cabinet and the outer door aligned to cabinet



2. If dishwasher is installed at the corner of the cabinet, there should be some space when the door is opened.

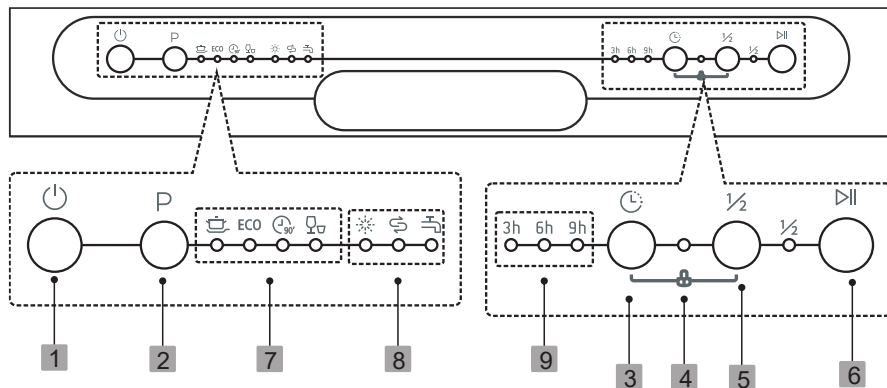


**NOTE!**







Depending on where your electrical outlet is, you may need to cut a hole in the opposite cabinet side.

## PART 4: HOW TO USE

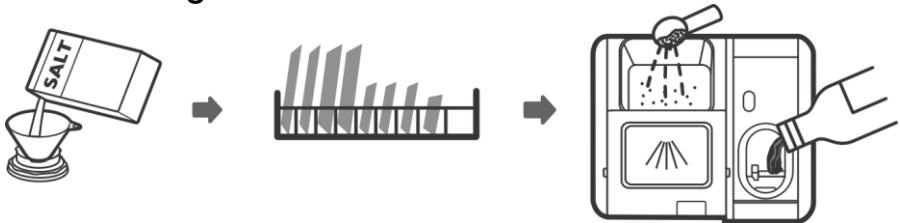
### Control Panel



1	Power		Press this button to turn on your dishwasher
2	Program	<b>P</b>	To select the appropriate washing program, the selected program indicator will lit up.
3	Delay		Press this button to set the delay time for washing.
4	Child Lock		This option allows you to lock the buttons on the control panel - except the Power button - so children cannot accidentally start the dishwasher by pressing the buttons on the panel. To lock or unlock the buttons on the control panel, press and hold the Delay button + Half Load button for 3 seconds simultaneously. When pressing this button, the indicator will light up.
5	Half Load	$\frac{1}{2}$	When you have about or less than 6 place setting dishware to wash, you can choose this function to save energy and water. (It can only be used with Intensive, ECO, 90 min.)
6	Start/Pause		To start the selected washing program or pause it when the dishwasher is working.
7	Program indicator		<b>Intensive</b> Heavily soiled items including pots and pans, and dishes with sticky dried food particles.

		<b>ECO</b>	<b>ECO</b> This is the standard program suitable for normally soiled loads, such as pots, plates, glasses and lightly soiled pans.
			<b>90 Min</b> For normally soiled loads that need a quick wash.
			<b>Rapid</b> A shorter wash for lightly soiled loads that do not need drying.
8	Warning indicator		<b>Rinse Aid</b> If the indicator is lit, it means the dishwasher is low on dishwasher rinse aid and requires a refill.
			<b>Salt</b> If the indicator is lit, it means the dishwasher is low on dishwasher salt and needs to be refilled
			<b>Water Faucet</b> If the indicator is lit, it means the water faucet closed
9	Delay Time		To show the delay time (3h/6h/9h)

## Before Using Your Dishwasher



- Set the salt setting
- Load the salt into the salt container
- Load the basket
- Fill the rinse aid and detergent dispenser

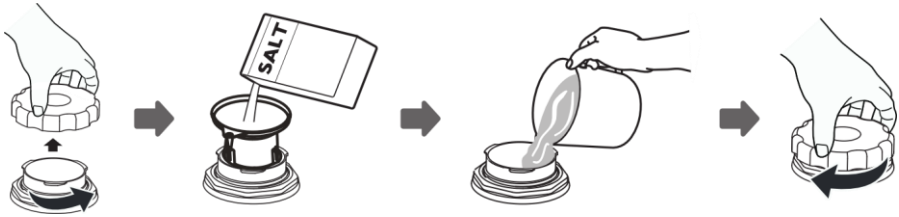
## Filling The Salt Container

If your model does not have salt container, you may skip this section. The salt container is located beneath the basket and should be filled as follows:



## WARNING!

- Only use salt specifically designed for dishwashers use! Every other type of salt not specifically designed for dishwasher use, especially table salt, will damage the water softener. In case of damages caused by the use of unsuitable salt the manufacturer does not give any warranty nor is liable for any damages caused.
- Only fill the salt before running a cycle. This will prevent any grains of salt or salty water, which may have been spilled and remain on the bottom of the machine for any period of time, which may cause corrosion.



1. Remove the lower basket and then remove the cap from the salt container by rotating it counter-clockwise.
2. Place the end of the funnel (supplied) into the hole and pour in about 1.5 kg of dishwasher salt
3. Fill the salt container to its maximum limit with water, it is normal for a small amount of water to come out of the salt container.
4. After filling the container, place and rotate the cap back tightly.
5. The salt indicator light will turn off after the salt container has been filled with salt.
6. Immediately after filling the salt into the salt container, a washing program should be started (We suggest to use the short program). Otherwise the filter system, pump or other important parts of the machine may be damaged by the salt water. This will cancel the product's warranty.

## WARNING!

- The salt container must only be refilled when the salt warning light in the control panel comes on. Depending on how fully the salt dissolves, the salt warning light may still be on even though the salt container is filled. If there is no salt warning light in the control panel (For some Models), you can judge when to load the salt into the container by the cycles that the dishwasher had run.
- If there are spills of the salt, a soak or a rapid program should be run to remove the excess salt.

## Adjusting Salt Consumption

The dishwasher is designed to allow for adjustment in the amount of salt consumed based on the hardness of the water used. This is intended to optimize and customize the level of salt consumption.

Please follow the steps below for adjustment in salt consumption.

1. Switch on the appliance.
2. Press the Start/Pause button for more than 5 seconds to start the water softener set model within 60 seconds after the appliance was switched on.
3. Press the Start/Pause button to select the proper set according to your local environment, the sets will change in the following sequence: H1->H2->H3->H4->H5->H6.

Without any operation in five seconds, the machine will exit from set mode, the machine is into standby status.

WATER HARDNESS		Water Softener Setting	Display Light Flickers
German °dH	Mmol/l <sup>1)</sup>		
0 - 5	0.0 - 0.94	H1	Rapid
6 - 11	1.0 - 2.0	H2	90 min
12 - 17	2.1 - 3.0	H3 <sup>2)</sup>	90 min, Rapid
18 - 22	3.1 - 4.0	H4	ECO
23 - 34	4.1 - 6.0	H5	ECO, Rapid
35 - 55	6.1 - 9.8	H6	ECO, 90 min

<sup>1)</sup>Milimol, international unit of measurement for water hardness

<sup>2)</sup>Factory setting

Contact your local water institution for information on the water hardness

## Loading The Basket

Recommendation:

- Consider buying tableware which identified as dishwasher safe.
- For particular items, select a program with the lowest possible temperature.
- To prevent damage, do not take glass and cutlery out of the dishwasher immediately after the program has ended.

## Suitability of use

<b>Not suitable:</b>	<b>Limited Suitability:</b>
<ul style="list-style-type: none"> <li>• Cutlery with wooden, horn, or mother-of-pearl handles</li> <li>• Plastic items that are not heat resistant</li> <li>• Older cutlery with glued parts that are not heat resistant</li> <li>• Bonded cutlery items or dishes</li> <li>• Pewter or copper items</li> <li>• Crystal glass</li> <li>• Steel items subject to rusting</li> <li>• Wooden items</li> <li>• Items made from synthetic fibers</li> </ul>	<ul style="list-style-type: none"> <li>• Some glasses may look dull after a large number of washes.</li> <li>• Silver and aluminum have a tendency to discolor during the washing process.</li> <li>• Glazed patterns may fade if washed frequently.</li> </ul>

## Attention before and after loading the baskets

(For the best performance of the dishwasher, follow these loading guidelines. Features and appearance of baskets and cutlery baskets may vary from your model.)

Scrape off any large food particles. Soften burnt food particles in pans. It is not necessary to rinse the dishes under running water. Place objects in the dishwasher in following way:

- Items such as cups, glasses, pots/pans, etc. should face downwards.
- Curved items or those with niche should be placed on a tilted position so the water can run off.
- All tableware are neatly arranged and cannot fall easily.
- All tableware are placed in the way that the spray arms can rotate freely during the washing.

## **NOTE!**

Very small items should not be washed in the dishwasher as they could fall easily from the basket

- Insert hollow items such as cups, glasses, pans etc. facing downwards so the water does not get collected in the cavity.
- Plates and cutleries must not lie on or cover each other.
- To avoid damage to glasses, they must not touch each other.
- Long bladed knives stored vertically are dangerous!
- Long and/or sharp items of cutlery such as carving knives must be positioned horizontally in the basket.
- Please do not overload your dishwasher. This is important for good results and for reasonable energy consumption.

## Removing The Dishes

To prevent water dripping from the upper basket, we recommend you to empty the lower basket first, followed by the upper basket. Careful, the items will be hot! To prevent damage, do not take out the glasses and cutleries from the dishwasher for around 15 minutes after the program has ended.

## Loading The Upper Basket

The upper basket is designed to hold more susceptible and lighter tableware such as glasses, coffee and tea cups, saucers, as well as plates, small bowls and shallow pans (as long as they are not too dirty). Place the dishes and cookware well so they will not get moved by the spray of water.



## Loading The Lower Basket

We suggest that you place large and hard to clean items on the lower basket: such as pots, pans, lids, serving dishes and bowls, as shown in the figure. It is preferable to place serving dishes and lids on the side of the racks in order to avoid blocking the rotation of the top spray arm. The maximum



diameter of plates that can be placed in front of the detergent dispenser is 19 cm, this is to ensure that the door can be closed.

### Loading The Cutlery Basket

Cutlery should be placed in the cutlery rack. Place them separately from each other in the appropriate positions, and make sure the utensils do not stack, this may cause bad performance.

#### **WARNING!**



Do not let any item extend through the bottom. Always place the sharp utensils with the sharp tip facing down!

### **Function Of Rinse Aid**

The rinse aid is released during the final rinse to prevent water from forming droplets on your dishes which can leave spots and streaks. It also improves drying by allowing water to roll off the dishes. Your dishwasher is designed to use liquid rinse aids.

#### **WARNING!**

Only use branded rinse aid for dishwasher. Never fill the rinse aid dispenser with any other substances (e.g. Dishwasher cleaning agent, liquid detergent). This would damage the appliance.

### **When To Refill Rinse Aid**

The dispenser can be refilled depends on how often the dishes are washed and the rinse aid setting used.

- The Rinse Aid Indicator (❄️) will lights up on the display screen when more rinse aid is needed.
- Do not overfill the rinse aid dispenser.

As the rinse aid diminishes, the size of the black dot on the rinse aid level indicator changes, as illustrated below.

Full       3/4 full       1/2 full       1/4 full       Empty

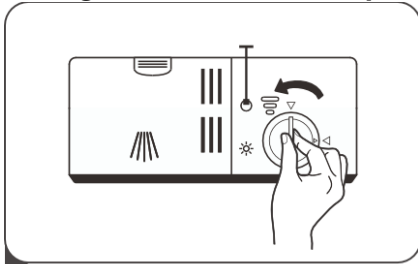
## Function of Detergent

The chemical ingredients that compose the detergent are necessary to remove, crush, and dispense all dirt out of the dishes. Many commercial detergents are suitable for this purpose.

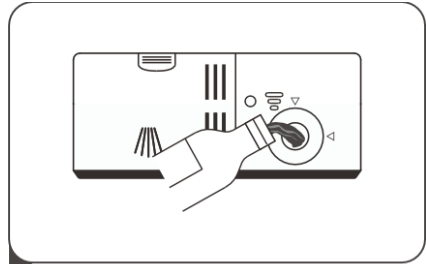
### **WARNING!**

- Proper Use of Detergent. Use only detergent specifically made for dishwashers use. Keep your detergent fresh and dry. Don't put powdered detergent into the dispenser until you are ready to wash dishes.
- Dishwasher detergent is corrosive! Keep dishwasher detergent out of the reach from the children.

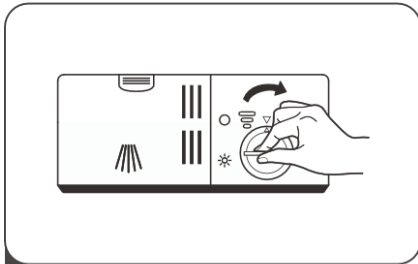
## Filling the Rinse Aid Dispenser



- 1** Open the dispenser cap by rotating it counter clockwise.



- 2** Carefully pour in the rinse-aid into its dispenser, whilst avoiding it to overflow.



- 3** Close the rinse aid reservoir cap by rotating it clockwise.

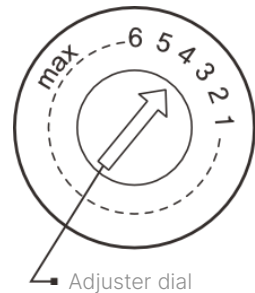


### NOTE:

Clean up any spilled rinse aid with an absorbent cloth to avoid excessive foaming during the next wash.

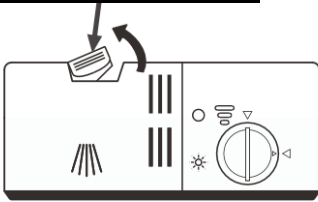
## Adjusting The Rinse Aid

Turn the rinse aid indicator dial to a number between 1 and 6. The higher the number, the more rinse aid the dishwasher uses. If the dishes are not drying properly or are spotted, adjust the dial to the next higher number until your dishes are spot-free. Reduce it if there are sticky whitish stains on your dishes or a bluish film on glassware or knife blades.

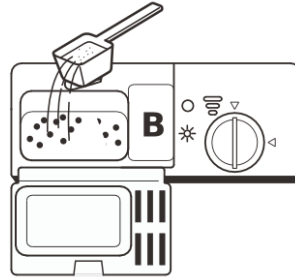


## Filling The Detergent Dispenser

Press the latch to open

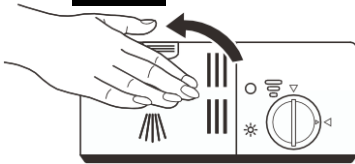


- 1 Press the latch on the detergent dispenser to open the cover.



- 2 Add detergent into the larger cavity (A) for the main wash cycle. For more heavily soiled wash loads, also add some detergent into the smaller cavity (B) for the pre-wash cycle.

Press



- 3 Close the cover and press on it until it locks into place.

### NOTE!

- Be aware that depending on the softness of water, the setting might be different.
- Please observe the manufacturer's recommendations on the detergent.






## Wash Programs

### Wash Cycle Table

The table below shows which programs are best for the levels of soils and food particles on them and how much detergent is needed. It also shows various information about the programs.

(●) Means: need to fill the rinse aid to the Rinse-Aid Dispenser.

Program	Description of Cycle	Detergent Pre/Main	Time (min)	Energy (kWh)	Water (L)	Rinse aid
 Intensive	Pre-wash (50°C) Wash (60°C) Rinse Rinse Rinse (70°C) Drying	5/25 g 1 or 2 pieces	170	1.6	17.5	●
<b>ECO</b> *EN50242	Pre-wash Wash (45°C) Rinse (60°C) Drying	5/25 g 1 or 2 pieces	225	1.02	11	●
 90 min	Wash (65°C) Rinse Rinse (65°C) Drying	5/25 g 1 piece	90	1.35	12.5	●
 Rapid	Wash (45°C) Rinse (50°C) Rinse (55°C)	20 g	30	0.75	11	○

### NOTE!

EN 50242 This program is the test cycle. The information for comparability test in accordance with EN 50242, are as follows: The power consumption when turned off is 0.49W, and on standby mode is 0.49W

## Turning On The Appliance

Starting a wash cycle:

- Ensure the unit is connected to the mains power and the water supply is on (water pressure between 0.04 MPa and 1.00 MPa).
- Open the door. Pull out the lower and upper baskets, load the dishes and push the baskets back.

- Pour in the detergent or place the detergent tablet in the detergent compartment and close firmly afterwards.
- Press the Power button, the power indicator light will illuminate.
- Select the wash cycle program by pressing the Program (P) button
- The indicator light of the selected programme will illuminate.
- Close the dishwasher door. A click sound should be heard when the door is closed correctly. Do not slam the door.
- The wash cycle will begin shortly.

### **WARNING!**

If you open the door when the wash cycle is in progress and close it again, the wash cycle will continue after 10 seconds. But if the door is not closed properly after 1 minute, the appliance will ring a bell with 1 minute intervals

## **Changing The Program**

A wash cycle can only be changed if it has been running for a short time. Otherwise, the detergent may have been released and the dishwasher has drained the rinse water. If this is the case, the dishwasher needs to be restarted and the detergent dispenser must be refilled. To restart the dishwasher, follow the instructions below:

1. Open the door to check if the dispenser is released from the dispenser
2. If the dispenser door is opened, let the wash cycle complete first
3. If the dispenser door is still closed, press and hold Program (P) button for 3 seconds to cancel the current wash program. Then, choose the new wash program and close the door

## Adding Dish

A forgotten dish can be added any time before the detergent dispenser opens. If this is the case, follow the instructions below:

1. Open the door to check if the dispenser is released from the dispenser
2. If the dispenser door is opened, let the wash cycle complete first
3. If the dispenser door is still closed, add the dishes and close the door

### **WARNING!**

It is dangerous to open the door when the washing process runs, because the hot water may give you burns.

## **PART 5: MAINTENANCE**

### **External Maintenance**

#### Door and Seal

Clean the door and the seals regularly with a soft damp cloth to remove food stains. When the dishwasher is being loaded, food and drink food particles may drip onto the sides of the dishwasher door. These surfaces are outside the washing area and not accessed by water from the spray arms. Any stains should be wiped off before the door is closed.

#### Control Panel

If cleaning is required, the control panel should be wiped only with a soft damp cloth.

### **WARNING!**

- To avoid penetration of water into the door lock and electrical components, do not use spray cleaner.
- Never use abrasive cleaners or scouring pads on the outer surface because they may scratch the surface. Some paper towels may also scratch or leave marks on the surface.

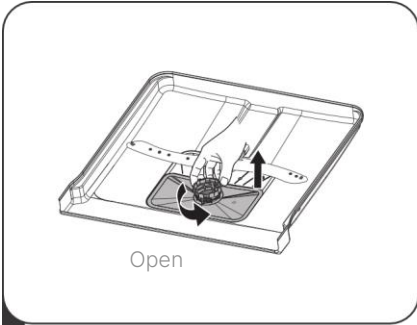
## Internal Maintenance

### Filtration System

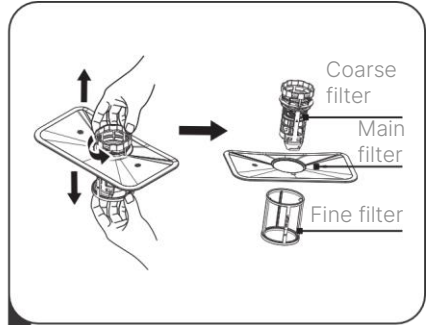
The filtration system in the base of the lower cabinet filters the large food particles from the washing cycle. The collected food particles may cause the filters to clog. Check the condition of the filters regularly and clean them if necessary under running water. Follow the steps next page to clean the filters in the wash cabinet.

#### **NOTE!**

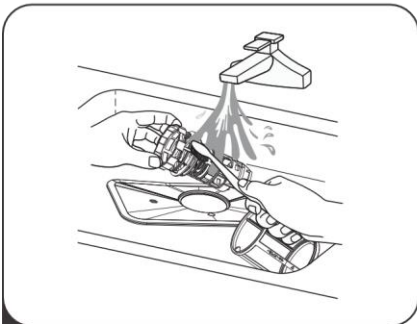
Pictures are only for reference, the models of the filtering system and spray arms may be different.



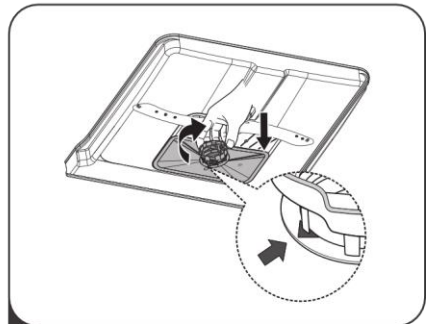
- 1 Hold the coarse filter and rotate it counter clockwise to unlock the filter. Lift the filter upwards and out of the dishwasher.



- 2 The fine filter can be pulled off from the bottom. The coarse filter can be detached from the main filter by gently squeezing the tabs at the top and pulling it away.



- 3 Larger food particles can be cleaned by rinsing the filter under running water. For a more thorough clean, use a soft cleaning brush.



- 4 Reassemble the filters in the reverse order of the disassembly, insert the filter to reinstall, and rotate it clockwise until the arrow is pointing to "close".

## NOTE!

- Do not over tighten the filters. Put the filters properly, otherwise food particles could get into the system and cause a blockage.
- Never use the dishwasher without filters. Improper placement of the filter may reduce the performance level of the appliance and damage dishes and utensils.

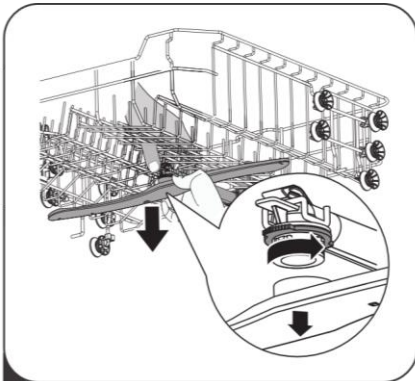
- Check the filter from clog after every use
- By disassembling the coarse filter, you can open the filtration system. Clean the food remains from the filter under running water.

## WARNING!

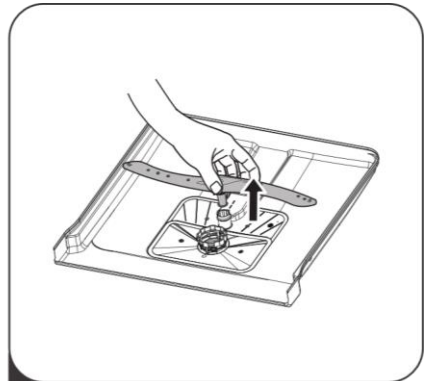
When cleaning the filters, don't knock on them. Otherwise, the filters could be contorted and the performance of dishwasher could be decreased.

## Spray Arms

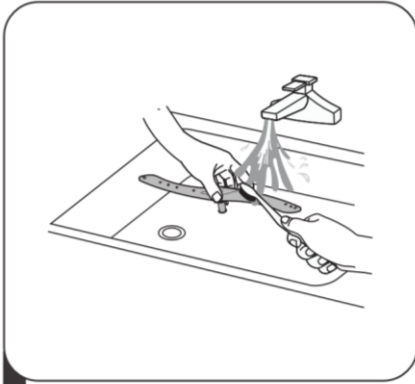
It is necessary to clean the spray arm regularly because water with hard chemicals composition will clog the spray arm jets and bearings. To clean the spray arm, follow the instructions below:



- 1** To remove the middle spray arm, hold the nut in the center and rotate the spray arm counter clockwise to remove it.



- 2** To remove the lower spray arm, pull out the spray arm upward.



- 3** Wash the arms with warm soapy water and use a soft brush to clean the jets. Reinstall them after rinsing them thoroughly.

## Moving The Appliance

If you want to move the appliance from its position:

1. Disconnect the appliance from the mains socket
2. Disconnect the appliance from water inlet and drain.
3. Remove the unit from the current location with the hoses discharged
4. Pull the appliance out together with the hoses

### **WARNING!**

- Avoid over tilting the appliance during transportation
- It is recommended to handle the dishwasher with 2 people during installation

## If Not In Use For A Long Time

If the appliance will not be used for a long time:

1. Disconnect the dishwasher from the mains socket.
2. Disconnect the unit from the water inlet and drain. Use a suitable receptacle to catch the water.
3. Open the door slightly to prevent unpleasant smells from building up in the compartment.
4. Ensure the washing compartment of the dishwasher is clean.

## PART 6: TROUBLESHOOTING

Before contacting service center, check the following table:

Problem	Possible Cause	Recommended Action
Dishwasher doesn't start	Fuse blown, or the circuit breaker tripped.	Replace fuse or reset the circuit breaker. Remove any other appliances sharing the same circuit with the dishwasher.
	Power supply is not turned on.	Make sure the dishwasher is turned on and the door is closed securely. Make sure the power cord is properly plugged into the wall socket.
	Error code:E1; Water pressure is low	Check that the water supply is connected properly and the water is turned on.
	Door of dishwasher not properly closed.	Make sure to close the door properly and latch it.
Water not pumped from dishwasher	Twisted or trapped drain hose.	Check the drain hose.
	Filter clogged	Check the coarse filter
	Kitchen sink clogged	Check the kitchen sink to make sure it is draining well. If the problem is the kitchen sink that is not draining, you may need a plumber rather than a serviceman for dishwashers.
Suds in the tub	Wrong detergent	Use only the dedicated dishwasher detergent to avoid suds. If suds exist in the washer. Open the door for 20-30 minutes to allow the foam to evaporate. If the foam still exists in the liner. Add 1.5L of water to the liner, close the dishwasher door and run a forced drain to drain it with the water. Repeat above operation until the foam is cleared.
Stained tub interior	Detergent with colorant may have been used	Make sure that the detergent has no colorant
White film on inside surface	Hard water minerals	To clean the interior, use a damp sponge with dishwasher detergent and wear rubber gloves. Never use any other cleaner than dishwasher detergent. Otherwise, it may cause foaming or suds



<b>Problem</b>	<b>Possible Cause</b>	<b>Recommended Action</b>
There are rust stains on cutlery	The affected items are not corrosion resistant.	Avoid washing items that are not corrosion resistant in the dishwasher
	A program was not run after dishwasher salt was added. Traces of salt have gotten into the wash cycle	Always run a wash program without any tableware after adding salt.
	The cap of the salt container is loose.	Check whether the salt container is properly closed.
Knocking noise in the dishwasher	A spray arm is knocking against an item in a basket	Interrupt the program and rearrange the items which are obstructing the spray arm.
Rattling noise in the dishwasher	Items of tableware are loose in the dishwasher.	Interrupt the program and rearrange the items of tableware
Knocking noise in the water pipes	This may be caused by on-site installation or the cross-section of the piping.	This has no influence on the dishwasher function. If you are in doubt, contact a qualified plumber.
The dishes are not clean	The dishes were not loaded correctly.	See notes in "Loading & unloading your dishwasher".
	The program was not powerful enough.	Select a more intensive program
	Not enough detergent was dispensed	Use more detergent, or change your detergent.
	Items are blocking the movement of the spray arms	Rearrange the items so that the spray can rotate freely.
	The filter combination is not clean or is not correctly fitted in the base of wash cabinet. This may cause the spray arm jets to get blocked.	Clean and/or fit the filter correctly. Clean the spray arm jets.
Glassware look muddy	Combination of soft water and too much detergent	Use less detergent if you have soft water and select a shorter cycle to wash the glassware and to get them clean.

Problem	Possible Cause	Recommended Action
White spots appear on dishes and glasses.	Hard water can cause white spots.	Add more detergent.
Black or gray marks on dishes	Aluminum cutlery rubbed against dishes	Use a mild abrasive cleaner to eliminate those marks.
The dishes are not dry	Improper loading	Load the dishwasher as suggested in the directions.
	Dishes are removed too soon	Do not empty your dishwasher immediately after washing. Open the door slightly so that the steam can come out. Take out the dishes until the inside temperature is safe to touch. Unload the lower basket first to prevent the dropping water from the upper basket.
	Wrong program has been selected.	With a short program, the washing temperature is lower, decreasing cleaning performance. Choose a more intense program with longer washing time.
	Cutlery with a low-quality coating	Water drainage is more difficult with these items. Cutlery or dishes of this type are not suitable to be washed in the dishwasher.

### **WARNING!**

- If overflow occurs, turn off the main water supply before calling a service.
- If there is water in the base pan because of overfill or small leak, the water should be removed before restarting the dishwasher.

## **Error Codes**

If there is a malfunction, the dishwasher will display error codes to identify these:

Codes	Meanings	Possible Causes
The Rapid light flicker fleetly	Longer inlet time	Faucets is not opened, or water intake is restricted, or water pressure is too low

<b>Codes</b>	<b>Meanings</b>	<b>Possible Causes</b>
The Rapid and 90 min light flicker fleetly	Not reaching required temperature.	Malfunction of heating element
The ECO light flicker fleetly	Overflow	Some element of dishwasher leaks

If the problems still occur after checking the table above, disconnect the power plug from the outlet immediately. Contact the dealer where you purchased the appliance.

## PART 7: SPECIFICATION

Model	WP 1200 FDWH
Type	Freestanding
Place setting	12
Color	White
No. of programs	4
Spray arms	Upper, Middle, Lower
Water consumption (Liter)	11
Control Panel	Button
Power Input (Watt)	1760-2100
Voltage & Frequency	220-240V~50Hz
Inlet water pressure (MPa)	0.04-1.0
Product dimension P x D x T (mm)	598×600×845
Product weight (kg)	38

Design and specification can change without prior notice to improve the quality of the product. The illustration in this manual is schematic and can be different with your actual product. The values on label or in other documents are according to laboratory test and relevant standards. Values can vary depending on the actual operational and environmental condition of the product.

*Ciao!* **MODENA**

[www.modena.com](http://www.modena.com)

**PT MODENA INDONESIA**

Jl. Industri Raya I Blok D-8,  
Jatiuwung, Tangerang 15135