

User Manual Book Dishwasher

Immacolato Series
WP 9140

TABLE OF CONTENT

Part 1: Safety Information	5
Safety Precaution	5
Grounding Instruction	6
Environmental Notice	7
Part 2: Name of Parts	8
Part 3: Installation Instructions	10
Installation Location	10
Installation	10
Part 4: How to Use	19
Control Panel	19
Before Using Your Dishwasher	20
Filling The Salt Container	20
Adjusting Salt Consumption	22
Loading The Basket	23
Loading The Basket According To EN50242	26
Basket Usage Tips	28
Function Of Rinse Aid	31
When To Refill Rinse Aid	31
Function of Detergent	31
Filling the Rinse Aid Dispenser	32
Adjusting The Rinse Aid	32
Filling The Detergent Dispenser	33
Wash Programs	34
Turning On The Appliance	35
Changing The Program	36
Adding Dish	36
Part 5: Maintenance	37
External Maintenance	37
Internal Maintenance	37
Spray Arms	39
Moving The Appliance	40
If Not In Use For A Long Time	40

Part 6: Troubleshooting	41
Error Code	43
Part 7: Specification	45

This guide book explains everything you need to know about your new product. Please contact our Customer Care should you need further assistance through www.modena.com

PART 1: SAFETY INFORMATION

Safety Precaution

- This appliance is intended to be used in household and similar applications such as:
 - staff kitchen areas in shops, offices and other working environments;
 - farm houses;
 - by clients in hotels, motels and other residential type environments;
 - bed and breakfast type environments.
- This appliance is not intended for use by persons (including children) with reduced physical, sensory or mental capabilities, or lack of experience and knowledge, unless they have been given supervision or instruction concerning use of the appliance by a person responsible for their safety.
- This appliance is for indoor use only, for household use only.
- To prevent the risk of electrical shock, do not immerse the unit, cord or plug in water or other liquid.
- Please unplug the power plug before cleaning and maintaining the appliance.
- Use a soft cloth moisten with mild soap, and then use a dry cloth to wipe it again.
- Do not harm, sit on, or stand on the door or the dish rack of the dishwasher.
- Do not operate your dishwasher unless all panels are properly in place.
- Open the door very carefully if the dishwasher is operating, there is a risk of water sprays out.
- Do not place any heavy objects on or stand on the door when it is open. The appliance could fall forward.
- When loading items to be washed: 1) Check and place sharp items to ensure they won't damage the door seal; 2) Warning: Knives and other utensils with sharp points must be loaded in the basket with their points down or placed in a horizontal position.
- Check if the detergent powder is empty after completion of the wash cycle.

- Do not wash plastic items unless they are marked as dishwasher safe or the equivalent. For plastic items without mark, check the manufacturer's recommendations.
- Use only detergent that exclusively designed for an automatic dishwasher.
- Never use soap, laundry detergent, or hand washing detergent for this appliance.
- Supervise the children to ensure that they do not play with the appliance.
- The door should not be left open, since this could increase the risk of appliance to fall forward.
- If the supply cord is damaged, it must be replaced by the manufacturer or its service agent or a similarly qualified person in order to avoid hazard.
- During the installation, the power supply and the cord must not be bent or crushed.
- Do not tamper the controls.
- The appliance has to be connected to the water sources using new hose sets and the old hose-sets should not be reused.
- The maximum number of place settings to be washed is 14.
- The maximum permissible inlet water pressure is 1 MPa.
- The minimum permissible inlet water pressure is 0.04 MPa.

Grounding Instruction

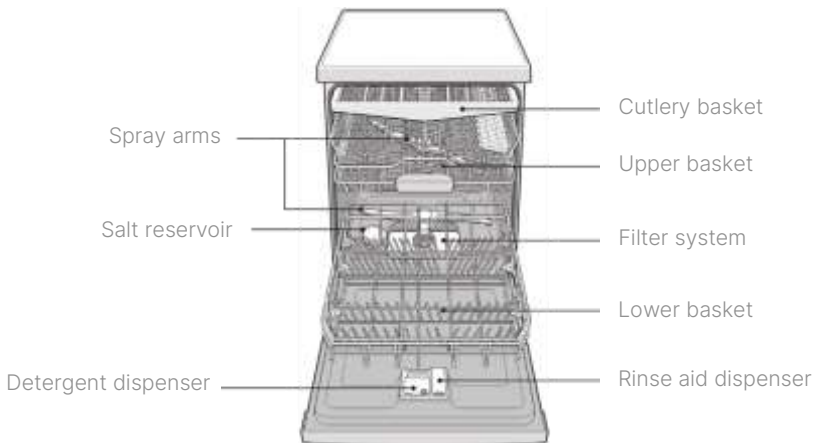
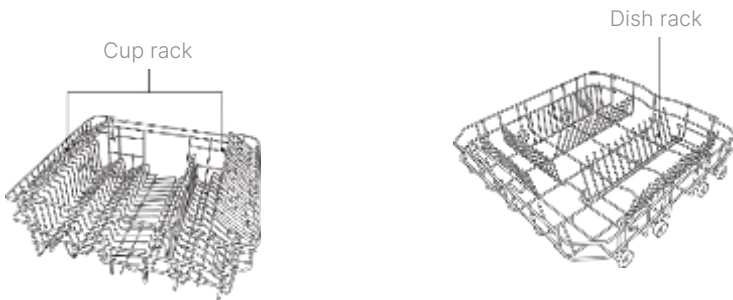
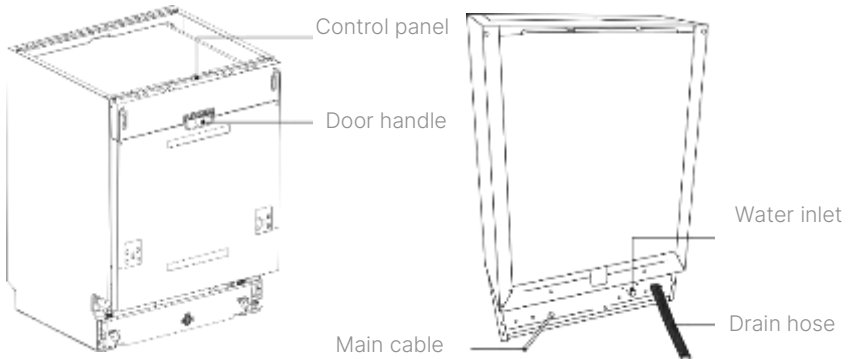
- This appliance must be grounded. When malfunction or breakdown occurs, grounding will reduce the risk of an electric shock by conducting the electric current to the ground. This appliance is equipped with a grounding-equipped conductor cord and a grounding plug.
- The plug must be plugged into an appropriate outlet that is installed and grounded in accordance with all local regulations and safety standards.
- Do not modify the plug provided with the appliance if it does not fit with the outlet. Have a proper outlet installed by a qualified electrician.
- Improper connection of the grounding-equipment conductor can result in the risk of electric shock. Check with a qualified electrician or service representative if you are in doubt whether the appliance is properly grounded.

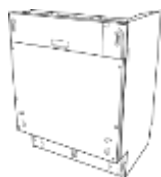
Environmental Notice



The packaging material used is recyclable. We recommend that you separate plastic, paper and cardboard and give them to recycling agents. According to WEEE (Waste of Electrical and Electronic Equipment) guidelines, waste from electrical and electronic devices should be collected separately. If you need to remove of this appliance in the future, do not throw it away with the rest of your domestic garbage. Instead, please take the appliance to the nearest WEEE collecting agents, where available.

PART 2: NAME OF PARTS





1 x main unit



1 x inlet hose



1 x condensation strip



2 x upper bracket



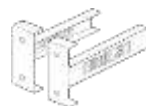
2 x hole cover



2 x lower hook



2 x upper hook



2 x toe panel mounting bracket



18 x ST4x14 screw



2 x ST3.5x16 screw

PART 3: INSTALLATION GUIDE

Installation Location

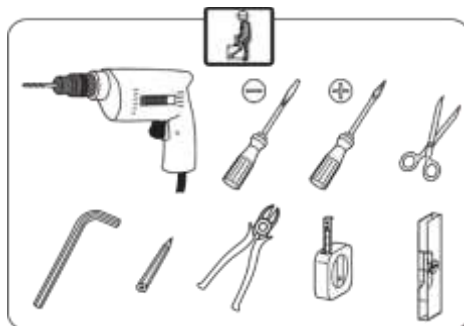
When selecting a position for your dishwasher you should make sure the installation surface is flat and firm, and the room is well ventilated. Avoid locating your dishwasher near a heat source, e.g. cooker, boiler or radiator. Extreme cold ambient temperatures may also cause the appliance not to perform properly. This dishwasher is not designed for use in a garage or outdoor installation. Do not drape the dishwasher with any covering. When installing, ensure that free space is left at the sides.

ATTENTION!

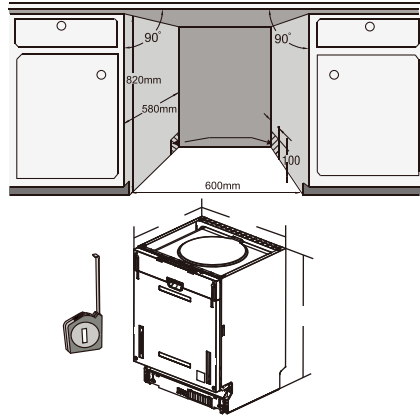
All parts removed must be saved to do the reinstallation in the future. Ensure the dishwasher is unplugged and empty. We recommend that 2 people handle the dishwasher during installation.

Installation

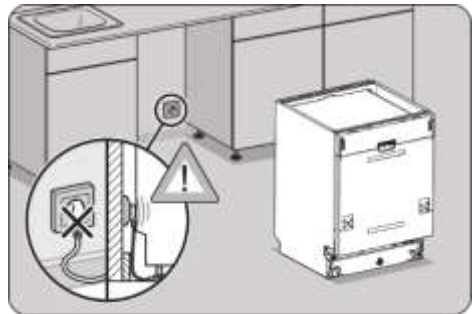
1. Please ensure the dishwasher is installed by a qualified technician. Refer to the tools required.



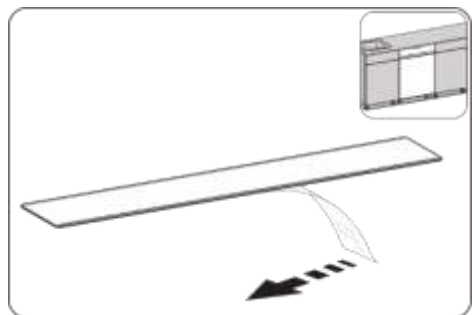
2. Ensure there is clearance each side of the unit to allow slight sideways movement for servicing when required. The height of the unit is 815 mm. The figure outlines the minimum dimensions required to accommodate the dishwasher within fitted kitchen furniture units.



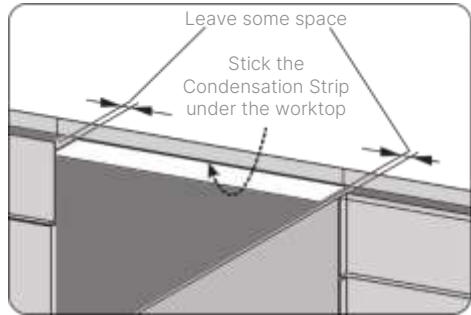
3. Do not connect the unit to the mains socket before installation. Ensure you are not installing the unit right in front of the mains socket. This is to avoid potential damage to the back of the unit.



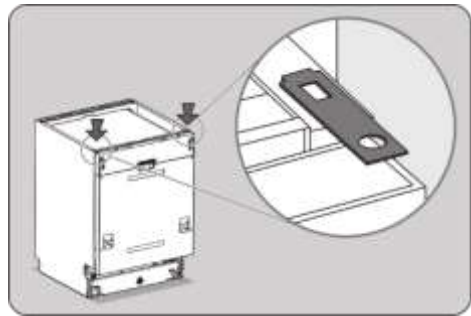
4. The condensation strip must be fitted to the underside of the worktop above your dishwasher to protect it against any moisture. Its purpose is to protect your worktop's underside from steam rising from the dishwasher.



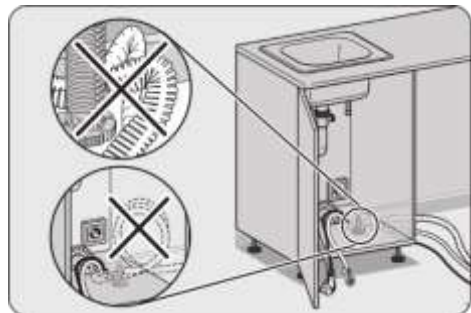
5. Stick the condensation strip to the underside of the worktop. Ensure the surface is clean prior to sticking the condensation strip to the underside of the worktop. Failure to attach the condensation strip could result in damage to the underside of your worktop!



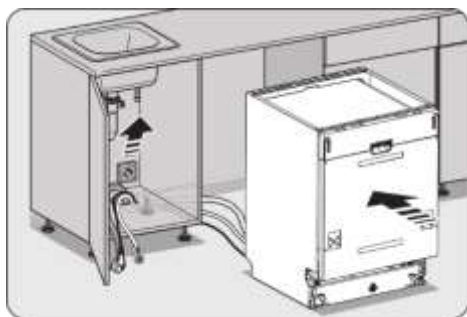
6. For Wooden Worktop Only: Place the Installation Hook to secure the unit as shown



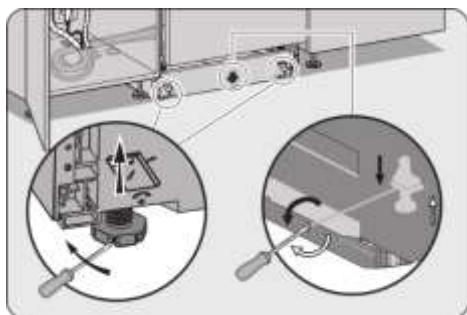
7. Position the dishwasher next to a water tap and a drain. Ensure the water inlet and drain hoses are not kinked or squashed.



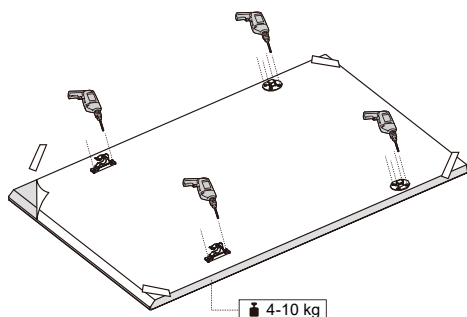
The unit must not stand on the mains cable.



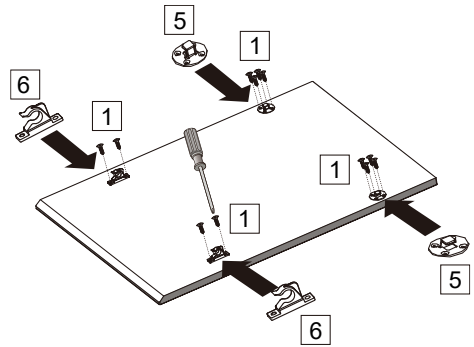
8. Adjust the leveling feet and ensure that the appliance is level and stable. Level and stable appliance ensures the door to be fully closed. Do not move the appliance while the leveling feet is adjusted!



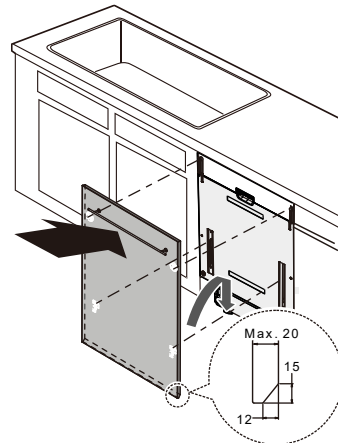
9. Ensure the Aesthetic Door weight is a minimum of 4 kg and a maximum of 10 kg. Drill the required holes following the depth and diameter of the dishwasher door



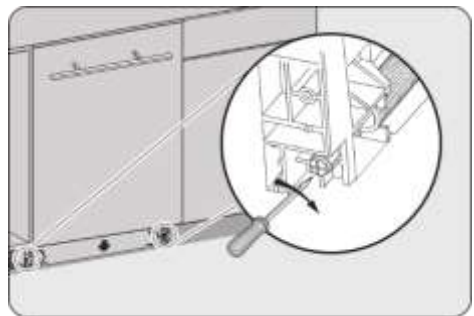
10. Install the Upper bracket (5) and Lower (6) bracket onto the Aesthetic Door using the provided ST4x14 screws (1)



11. Install the Aesthetic Door onto the dishwasher door. After the aesthetic door is installed, the tension of the dishwasher door spring can be adjusted by rotating the adjusting bolt. If the tension is right, the door will remain horizontal in the fully open position.

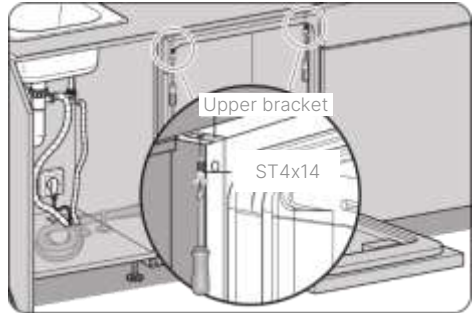


12. Adjust the bolt to loosen or tighten the tension of the dishwasher door.

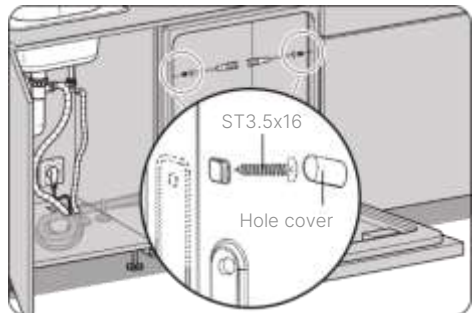


13. To secure the dishwasher under the table top, tighten the screws as shown. Note their positioning for the different types of worktops.

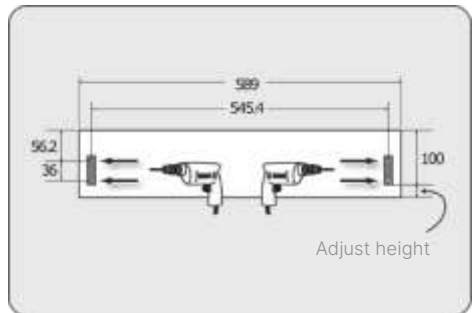
Wooden Worktop



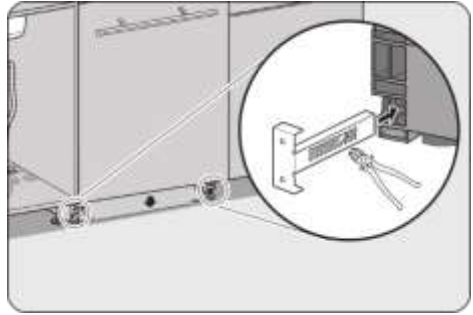
Ceramic/Synthetic Worktop



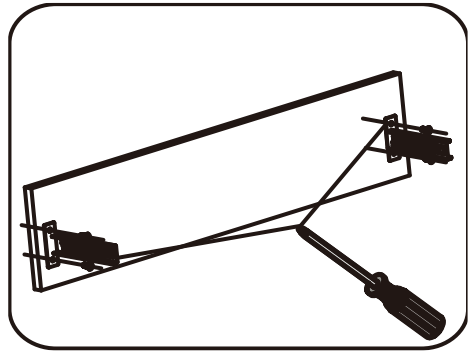
14. Cut out a 589 mm wide plinth for toe panel. Tape the supplied toe panel mounting brackets to the toe panel as shown. Drill the required holes.



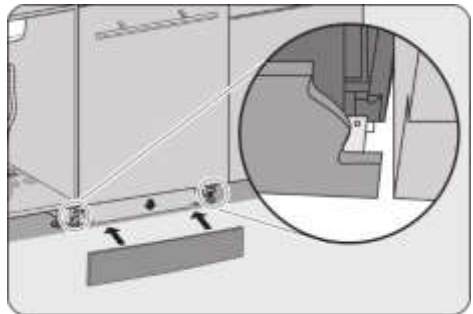
15. Determine the correct position for the toe panel mounting bracket, remove the bracket and bend the metal tab. This ensures that the toe panel won't slide in further than you need.



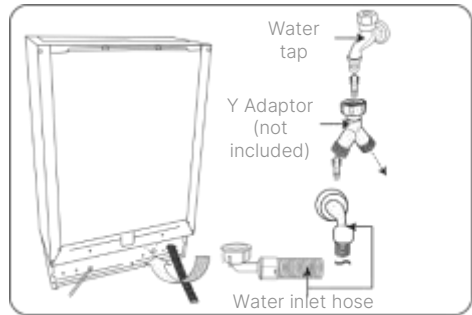
16. Attach the toe panel mounting brackets to the toe panel. Align the screw holes, then use the 4 screws ST4x14 to secure the toe panel.



17. Insert the toe panel to the dishwasher.



18. Make sure your plumbing is suitable for use with the dishwasher. If in doubt contact a qualified plumber. The appliance must be connected using a new hose. Do not reuse the old hose! Inlet water pressure must be at a minimum of 0.04 MPa and a maximum of 1.0 MPa.



- Connect one end of the safety water supply hose to your dishwasher, and then connect the other end of the hose to your water mains. Please ensure the black rubber seal is in place.
- After connecting the hose, turn on your water mains and check for leaks.
- Connect the dishwasher to the mains socket.

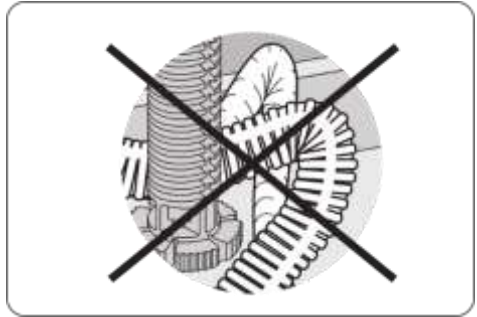
NOTE!

You may use a Y-Adaptor (not included) for an additional water feed for another appliance, for example a washing machine. This is only applicable for cold water mains.

NOTE!

The safety supply hose consists of the double walls. The hose's system guarantees its intervention by blocking the flow of water in case of the supply hose breaking and when the air space between the supply hose itself and the outer corrugated hose is full of water.

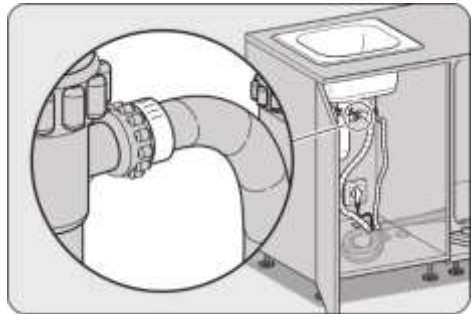
- Do not bend your drain hose.



WARNING!

Before connecting to the waste pipe, make sure to check the waste pipe and remove any stopper or blockage inside, otherwise the unit may not be able to expel the waste water properly.

- Secure the water drain hose to the waste pipe to avoid it coming off during the washing process.



NOTE!





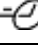
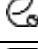
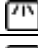



- The waste pipe must only be connected to the foul drains and not the surface water drainage system.
- The water drain hose should be placed between 40-100 cm from the floor level and must not be extended, otherwise the unit may not be able to expel the waste water properly.
- Please close the water tap after using.

PART 4: HOW TO USE

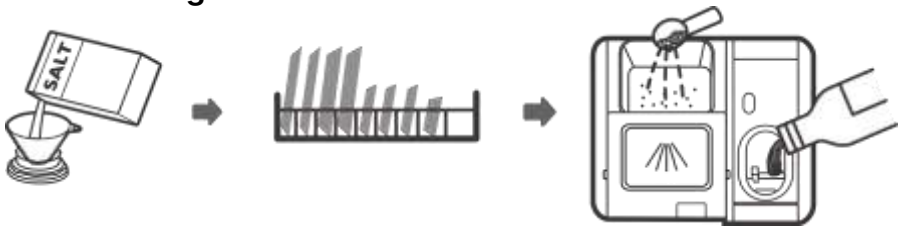
Control Panel



1	Power		Press this button to turn on the dishwasher. When turned on the screen will light up.
2	Program		To select the appropriate washing program, the selected program indicator will lights up.
3	Delay		Press this button to set the delay time for washing. You can delay the washing up to 24 hours. One press of this button delays the start of washing by one hour.
4	Program Indicator		Auto Washing program by automatically detect the level of soiled tableware, with or without dried food particles.
			Intensive Heavily soiled items including pots and pans, and dishes with sticky dried food particles.
			Normal For normally soiled loads, such as pots, plates, glasses and lightly soiled pans.
			ECO This is the standard program suitable for normally soiled loads, such as pots, plates, glasses and lightly soiled pans.
			Glass For lightly soiled crockery and glass.
			90 Min For normally soiled loads that need a quick wash.
			Rapid A shorter wash for lightly soiled loads that do not need drying.
			Soak To rinse the dishes that you plan to wash later that day.
5	Display		To show the program, delay time, error code etc.
6	Status Indicator		Rinse Aid If the indicator is lit, it means the rinse aid is low and requires a refill.

			Salt If the indicator is lit, it means the dishwasher salt is low and needs to be refilled.
			Water Tap If the indicator is lit, it means the dishwasher did not get sufficient water supply
7	Function Indicator		Power wash To improve cleaning efficiency
			Extra Drying To improve drying efficiency
			Express To reduce wash program time
			Energy Save To reduce energy consumption
8	Dual Zone Indicator		Upper: Upper basket wash indicator
			Lower: Lower basket wash indicator
9	Function		Press this button to select additional function
10	Dual Zone		Press this button to select Dual Zone function

Before Using Your Dishwasher



- Set the salt setting
- Load the salt into the salt container
- Load the basket
- Fill the rinse aid and detergent dispenser

Filling The Salt Container

If your model does not have salt container, you may skip this section. The salt container is located beneath the basket and should be filled as follows:

WARNING!

- Only use salt specifically designed for dishwashers use! Every other type of salt not specifically designed for dishwasher use, especially table salt, will damage the water softener. In case of damages caused by the use of unsuitable salt the manufacturer does not give any warranty nor is liable for any damages caused.
- Only fill the salt before running a cycle. This will prevent any grains of salt or salty water, which may have been spilled and remain on the bottom of the machine for any period of time, which may cause corrosion.



1. Remove the lower basket and then remove the cap from the salt container by rotating it counter-clockwise.
2. Place the end of the funnel (supplied) into the hole and pour in about 1.5 kg of dishwasher salt
3. Fill the salt container to its maximum limit with water, it is normal for a small amount of water to come out of the salt container.
4. After filling the container, place and rotate the cap back tightly.
5. The salt indicator light will turn off after the salt container has been filled with salt.
6. Immediately after filling the salt into the salt container, a washing program should be started (We suggest to use the short program). Otherwise the filter system, pump or other important parts of the machine may be damaged by the salt water. This will cancel the product's warranty.

WARNING!

- The salt container must only be refilled when the salt warning light in the control panel comes on. Depending on how fully the salt dissolves, the salt warning light may still be on even though the salt container is filled. If there is no salt warning light in the control panel (For some Models), you can judge when to load the salt into the container by the cycles that the dishwasher had run.
- If there are spills of the salt, a soak or a rapid program should be run to remove the excess salt.

Adjusting Salt Consumption

The dishwasher is designed to allow for adjustment in the amount of salt consumed based on the hardness of the water used. This is intended to optimize and adjust the level of salt consumption. Please follow these steps below for adjustment in salt consumption.

1. Turn on the appliance;
2. Press and hold the Program (P) button for more than 5 seconds to start the water softener setting mode until the salt lamp indicator lamp is blinking;
3. Press the Program (P) button to select the proper setting according to your local environment, the sets will change in the following sequence: H1->H2->H3->H4->H5->H6;
4. Press the Power button to end the set up model.

There are 6 levels of salt consumption in all. It is recommended to select the level according to below table:

WATER HARDNESS				Water softener level	Salt consumption (g/cycle)
German °dH	French °fH	British °Clark	Mmol/l ¹⁾		
0 - 5	0 - 9	0 - 6	0.0 - 0.94	H1	0
6 - 11	10 - 20	7 - 14	1.0 - 2.0	H2	9
12 - 17	21 - 30	15 - 21	2.1 - 3.0	H3 ²⁾	12
18 - 22	31 - 40	22 - 28	3.1 - 4.0	H4	20
23 - 34	41 - 60	29 - 42	4.1 - 6.0	H5	30
35 - 55	61 - 98	43 - 69	6.1 - 9.8	H6	60

¹⁾Milimol, international unit of measurement for water hardness

²⁾Factory setting

Contact your local water institution for information on the water hardness

Loading The Basket

Recommendation:

- Consider buying tableware which identified as dishwasher safe.
- For particular items, select a program with the lowest possible temperature.
- To prevent damage, do not take glass and cutlery out of the dishwasher immediately after the program has ended.

Suitability of use

Not suitable:	Limited Suitability:
<ul style="list-style-type: none"> • Cutlery with wooden, horn, or mother-of-pearl handles • Plastic items that are not heat resistant • Older cutlery with glued parts that are not heat resistant • Bonded cutlery items or dishes • Pewter or copper items • Crystal glass • Steel items subject to rusting • Wooden items • Items made from synthetic fibers 	<ul style="list-style-type: none"> • Some glasses may look dull after a large number of washes. • Silver and aluminum have a tendency to discolor during the washing process. • Glazed patterns may fade if washed frequently.

Attention before and after loading the baskets

(For the best performance of the dishwasher, follow these loading guidelines. Features and appearance of baskets and cutlery baskets may vary from your model.)

Scrape off any large food particles. Soften burnt food particles in pans. It is not necessary to rinse the dishes under running water. Place objects in the dishwasher in following way:

- Items such as cups, glasses, pots/pans, etc. should face downwards.
- Curved items or those with niche should be placed on a tilted position so the water can run off.
- All tableware are neatly arranged and cannot fall easily.
- All tableware are placed in the way that the spray arms can rotate freely during the washing.

NOTE!

Very small items should not be washed in the dishwasher as they could fall easily from the basket

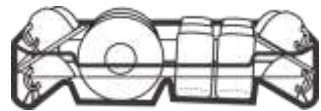
- Insert hollow items such as cups, glasses, pans etc. facing downwards so the water does not get collected in the cavity.
- Plates and cutleries must not lie on or cover each other.
- To avoid damage to glasses, they must not touch each other.
- Long bladed knives stored vertically are dangerous!
- Long and/or sharp items of cutlery such as carving knives must be positioned horizontally in the basket.
- Please do not overload your dishwasher. This is important for good results and for reasonable energy consumption.

Removing The Dishes

To prevent water dripping from the upper basket, we recommend you to empty the lower basket first, followed by the upper basket. Careful, the items will be hot! To prevent damage, do not take out the glasses and cutleries from the dishwasher for around 15 minutes after the program has ended.

Loading The Upper Basket

The upper basket is designed to hold more susceptible and lighter tableware such as glasses, coffee and tea cups, saucers, as well as plates, small bowls and shallow pans (as long as they are not too dirty). Place the dishes and cookware well so they will not get moved by the spray of water.



Loading The Lower Basket

We suggest that you place large and hard to clean items on the lower basket: such as pots, pans, lids, serving dishes and bowls, as shown in the figure. It is preferable to place serving dishes and lids on the side of the racks in order to avoid blocking the rotation of the top spray arm. The maximum



diameter of plates that can be placed in front of the detergent dispenser is 19 cm, this is to ensure that the door can be closed.

Loading The Cutlery Basket

Cutlery should be placed in the cutlery rack. Place them separately from each other in the appropriate positions, and make sure the utensils do not stack, this may cause bad performance.

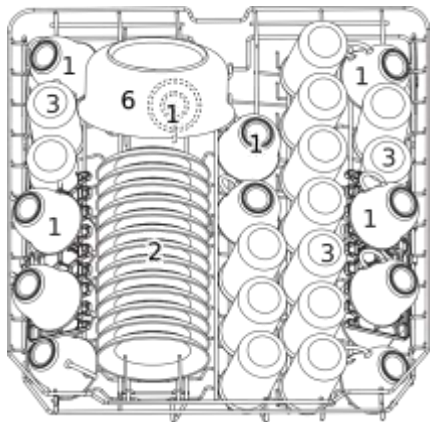
WARNING!



Do not let any item extend through the bottom. Always place the sharp utensils with the sharp tip facing down!

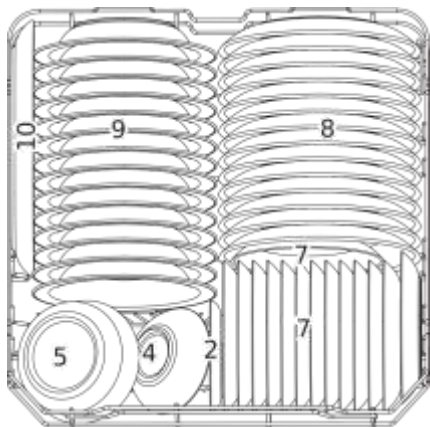
Loading The Basket According To EN50242

Upper Basket



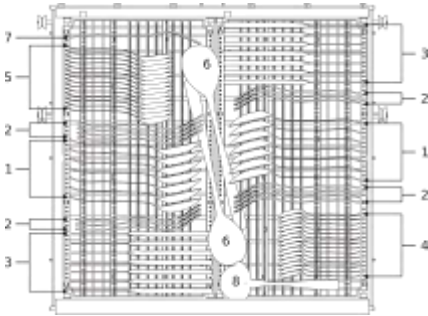
No.	Item
1	Cups
2	Saucers
3	Glasses
4	Small serving bowl
5	Medium serving bowl
6	Large serving bowl

Lower Basket

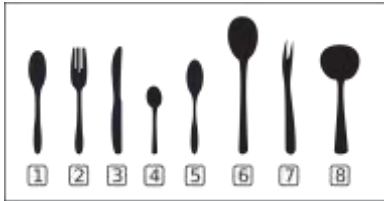


No.	Item
7	Dessert dishes
8	Dinner plates
9	Soup plates
10	Oval platter

Cutlery Basket



No.	Item
1	Soup spoons
2	Forks
3	Knives
4	Teaspoons
5	Dessert spoons
6	Serving spoons
7	Serving forks
8	Gravy ladles



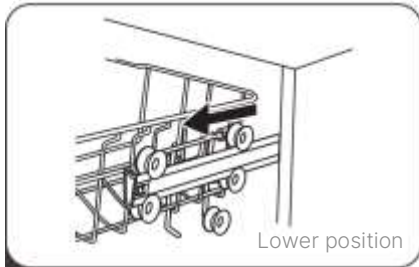
Information on comparability tests in accordance with EN 50242

- Capacity: 14 place settings
- Program: ECO
- Rinse aid setting: 6
- Softener setting: H3

Basket Usage Tips

Adjusting The Upper Basket

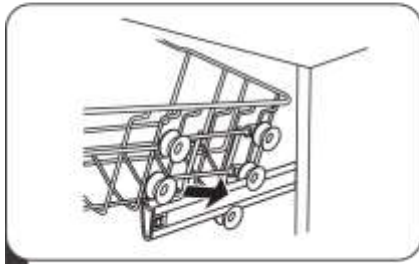
Type 1:



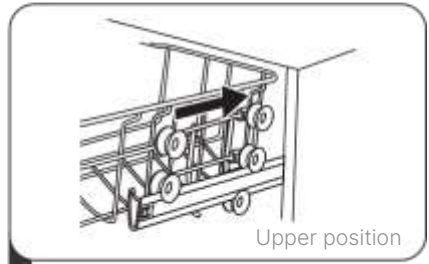
- 1 Pull out the upper basket.



- 2 Remove the upper basket

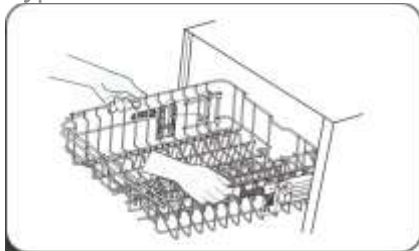


- 3 Re-attach the upper basket to upper or lower rollers.

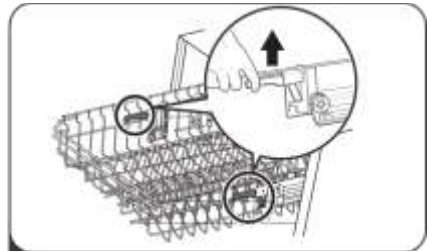


- 4 Push in the upper basket.

Type 2:



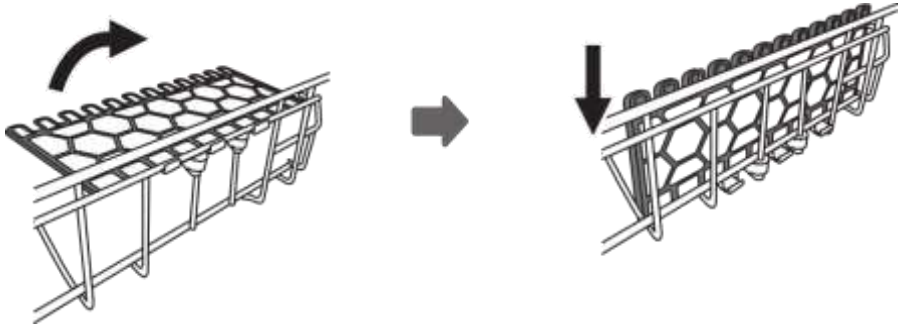
- 1 To raise the upper basket, lift the upper basket at the center of each side until the basket locks in the upper position. It is not necessary to lift the adjuster handle.



- 2 To lower the upper basket, lift the adjuster handles on each side to lower it.

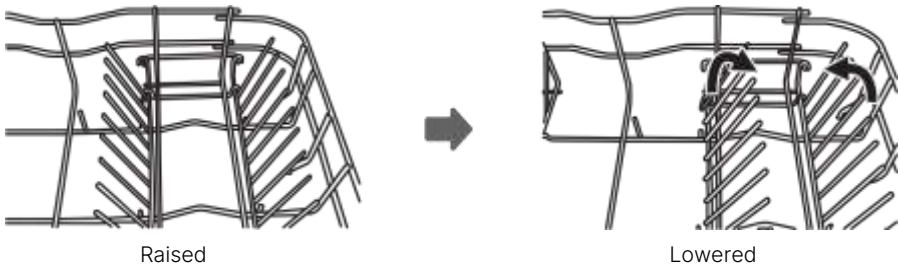
Folding The Cup Shelves

To make room for taller items in the upper basket, raise the cup rack upwards. You can then place the tall glasses on it. You can also remove it when it is not required for use.

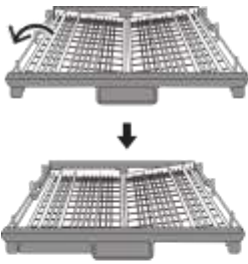


Folding the Rack Shelves

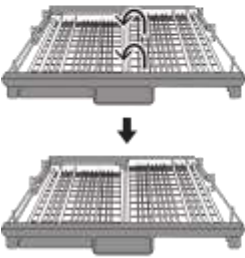
The spikes of the lower basket are used for holding plates and a platter. They can be lowered to make more room for larger items.



Cutlery Rack Usage Tips

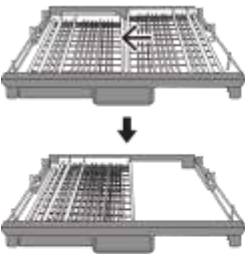


Lift the left basket up, adjust it to lower position, left basket is flat and right basket is slightly tilting.



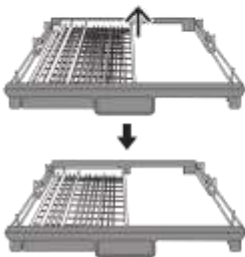
Lift the right basket up, both left and right baskets are flat.

This configuration gives more space to left side of the cutlery basket, it can be used to put espresso cups



Move the right basket from right to left, two baskets are overlapping.

This configuration gives more space to the upper basket to put bigger items



Remove the right basket from the tray, leaving only the left basket.

This configuration gives more space to the upper basket to put bigger items

Function Of Rinse Aid

The rinse aid is released during the final rinse to prevent water from forming droplets on your dishes which can leave spots and streaks. It also improves drying by allowing water to roll off the dishes. Your dishwasher is designed to use liquid rinse aids.

WARNING!

Only use branded rinse aid for dishwasher. Never fill the rinse aid dispenser with any other substances (e.g. Dishwasher cleaning agent, liquid detergent). This would damage the appliance.

When To Refill Rinse Aid

The dispenser can be refilled depends on how often the dishes are washed and the rinse aid setting used.

- The Rinse Aid Indicator () will lights up on the display screen when more rinse aid is needed.
- Do not overfill the rinse aid dispenser.

Function of Detergent

The chemical ingredients that compose the detergent are necessary to remove, crush, and dispense all dirt out of the dishes. Many commercial detergents are suitable for this purpose.

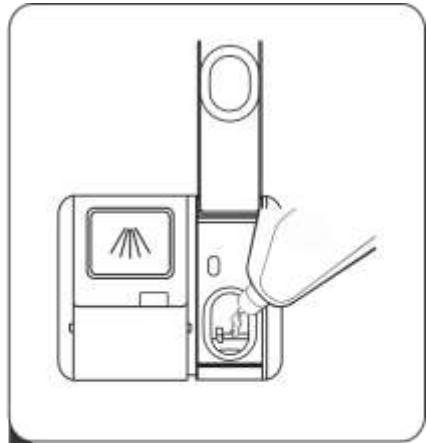
WARNING!

- Proper Use of Detergent. Use only detergent specifically made for dishwashers use. Keep your detergent fresh and dry. Don't put powdered detergent into the dispenser until you are ready to wash dishes.
- Dishwasher detergent is corrosive! Keep dishwasher detergent out of the reach from the children.

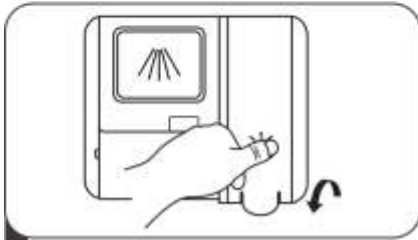
Filling the Rinse Aid Dispenser



1 Remove the rinse aid dispenser's cap by lifting up the handle.



2 Pour the rinse aid into the dispenser, be careful not to overfill.



3 Close the cap after filling

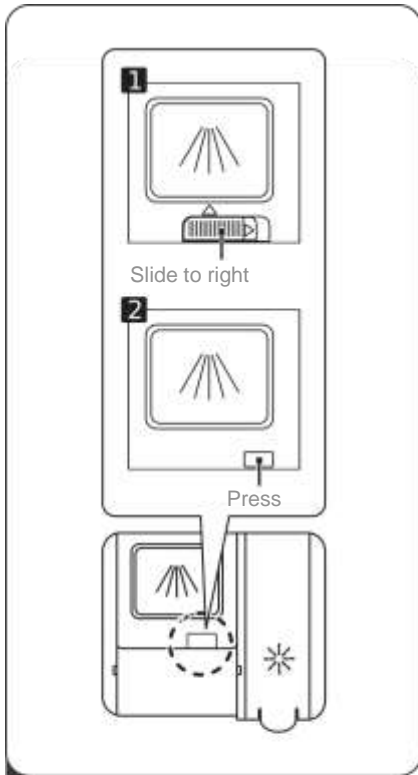
Adjusting The Rinse Aid

Rinse aid has 6 (six) settings. Factory setting is set at 3. If the dishes are not completely dry or there are spots, set the rinse aid to a higher setting until there are no spots.

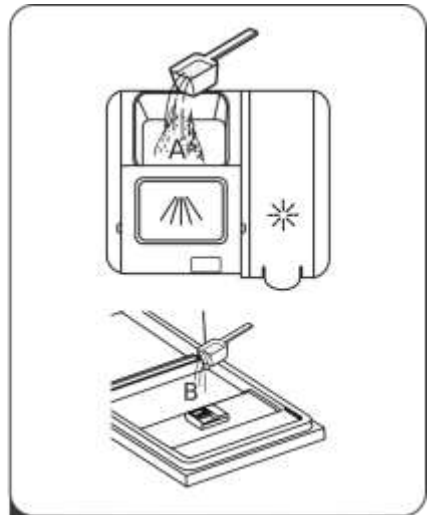
If there are rinse aid residues inside the compartment or on your dishes, set the rinse aid to 1.



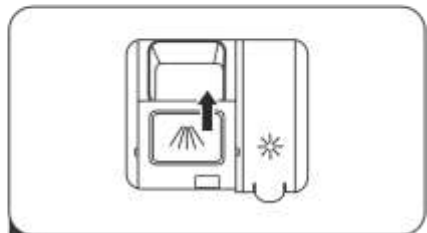
Filling The Detergent Dispenser



- 1 Choose the way to open the cap based on the actual design of the appliance.
1. Open the cap by sliding the release catch.
 2. Open the cap by pressing down the release catch.



- 2 Add detergent into the larger cavity (A) for the main wash cycle. For better result, especially if you have dirty items, pour a small amount of detergent to the smaller cavity (B). This additional detergent will be used during the pre-wash phase.



- 3 Close the flap by sliding it to the front and then pressing it down.

NOTE!




- Be aware that depending on the softness of water, the setting might be different.
- Please observe the manufacturer's recommendations on the detergent.





Wash Programs

Wash Cycle Table

The table below shows which programs are best for the levels of soils and food particles on them and how much detergent is needed. It also shows various information about the programs.

(●) Means: need to fill the rinse aid to the Rinse-Aid Dispenser.

Program	Description of Cycle	Detergent Pre/Main	Time (min)	Energy (kWh)	Water (L)	Rinse aid
 Auto	Pre-wash (45°C) Auto wash (45-55°C) Rinse Rinse (65°C) Drying	5/30 g 1 or 2 pieces	150	0.9-1.3	11-15	●
 Intensive	Pre-wash (50°C) Wash (60°C) Rinse Rinse Rinse (70°C) Drying	5/30 g 1 or 2 pieces	175	1.6	17.5	●
 Normal	Pre-wash (45°C) Wash (55°C) Rinse Rinse Rinse (65°C) Drying	5/30 g 1 or 2 pieces	185	1.3	13.5	●
ECO *EN50242	Pre-wash Wash (45°C) Rinse (65°C) Drying	5/30 g 1 or 2 pieces	210	0.93	10	●

Program	Description of Cycle	Detergent Pre/Main	Time (min)	Energy (kWh)	Water (L)	Rinse aid
 Glass	Pre-wash Wash (40°C) Rinse Rinse (60°C) Drying	5/30 g 1 piece	130	0.9	13	●
 90 min	Wash (65°C) Rinse Rinse (65°C) Drying	35 g 1 piece	90	1.35	12.5	●
 Rapid	Wash (45°C) Rinse (50°C) Rinse (55°C)	25 g	30	0.75	11	○
 Soak	Pre-wash		15	0.02	4	○

NOTE!

EN 50242 This program is the test cycle. The information for comparability test in accordance with EN 50242, are as follows: The power consumption when turned off is 0.49W, and on standby mode is 0.49W

Turning On The Appliance

Starting a wash cycle:

- Ensure the unit is connected to the mains power and the water supply is on (water pressure between 0.04 MPa and 1.00 MPa).
- Open the door. Pull out the lower and upper baskets, load the dishes and push the baskets back.
- Pour in the detergent or place the detergent tablet in the detergent compartment and close firmly afterwards.
- Press the Power button, the power indicator light will illuminate.
- Select the wash cycle programme based on the loading and soil requirements. Please refer to the "Wash Cycle Table".
- The indicator light of the selected programme will illuminate.
- Close the dishwasher door. A click sound should be heard when the door is closed correctly. Do not slam the door.
- The wash cycle will begin shortly.

WARNING!

If you open the door when the wash cycle is in progress and close it again, the wash cycle will continue after 10 seconds. But if the door is not closed properly after 1 minute, the appliance will ring a bell with 1 minute intervals

Changing The Program

A wash cycle can only be changed if it has been running for a short time. Otherwise, the detergent may have been released and the dishwasher has drained the rinse water. If this is the case, the dishwasher needs to be restarted and the detergent dispenser must be refilled. To restart the dishwasher, follow the instructions below:

1. Open the door to check if the dispenser is released from the dispenser
2. If the dispenser door is opened, let the wash cycle complete first
3. If the dispenser door is still closed, press and hold Program (P) button for 3 seconds to cancel the current wash program. Then, choose the new wash program and close the door

Adding Dish

A forgotten dish can be added any time before the detergent dispenser opens. If this is the case, follow the instructions below:

1. Open the door to check if the dispenser is released from the dispenser
2. If the dispenser door is opened, let the wash cycle complete first
3. If the dispenser door is still closed, add the dishes and close the door

WARNING!

It is dangerous to open the door when the washing process runs, because the hot water may give you burns.

PART 5: MAINTENANCE

External Maintenance

Door and Seal

Clean the door and the seals regularly with a soft damp cloth to remove food stains. When the dishwasher is being loaded, food and drink food particles may drip onto the sides of the dishwasher door. These surfaces are outside the washing area and not accessed by water from the spray arms. Any stains should be wiped off before the door is closed.

Control Panel

If cleaning is required, the control panel should be wiped only with a soft damp cloth.

WARNING!

- To avoid penetration of water into the door lock and electrical components, do not use spray cleaner.
- Never use abrasive cleaners or scouring pads on the outer surface because they may scratch the surface. Some paper towels may also scratch or leave marks on the surface.

Internal Maintenance

Filtration System

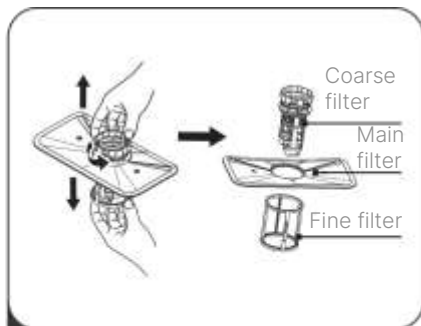
The filtration system in the base of the lower cabinet filters the large food particles from the washing cycle. The collected food particles may cause the filters to clog. Check the condition of the filters regularly and clean them if necessary under running water. Follow the steps next page to clean the filters in the wash cabinet.

NOTE!

Pictures are only for reference, the models of the filtering system and spray arms may be different.



- 1 Hold the coarse filter and rotate it counter clockwise to unlock the filter. Lift the filter upwards and out of the dishwasher.



- 2 The fine filter can be pulled off from the bottom. The coarse filter can be detached from the main filter by gently squeezing the tabs at the top and pulling it away.



- 3 Larger food particles can be cleaned by rinsing the filter under running water. For a more thorough clean, use a soft cleaning brush.



- 4 Reassemble the filters in the reverse order of the disassembly, insert the filter to reinstall, and rotate it clockwise until the arrow is pointing to "close".

NOTE!

- Do not over tighten the filters. Put the filters properly, otherwise food particles could get into the system and cause a blockage.
- Never use the dishwasher without filters. Improper placement of the filter may reduce the performance level of the appliance and damage dishes and utensils.

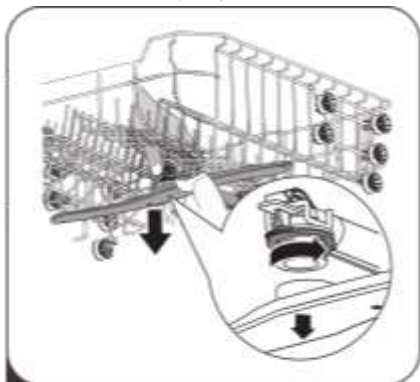
- Check the filter from clog after every use
- By disassembling the coarse filter, you can open the filtration system. Clean the food remains from the filter under running water.

WARNING!

When cleaning the filters, don't knock on them. Otherwise, the filters could be contorted and the performance of dishwasher could be decreased.

Spray Arms

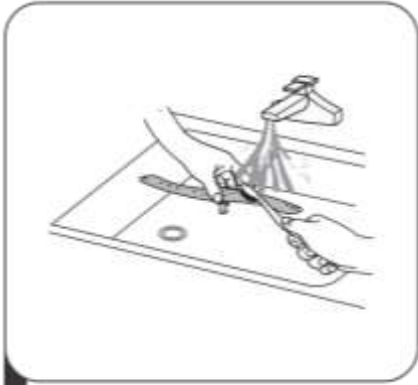
It is necessary to clean the spray arm regularly because water with hard chemicals composition will clog the spray arm jets and bearings. To clean the spray arm, follow the instructions below:



- 1** To remove the middle spray arm, hold the nut in the center and rotate the spray arm counter clockwise to remove it.



- 2** To remove the lower spray arm, pull out the spray arm upward.



- 3** Wash the arms with warm soapy water and use a soft brush to clean the jets. Reinstall them after rinsing them thoroughly.

Moving The Appliance

If you want to move the appliance from its position:

1. Disconnect the appliance from the mains socket
2. Disconnect the appliance from water inlet and drain.
3. Remove the unit from the current location with the hoses discharged
4. Pull the appliance out together with the hoses

WARNING!

- Avoid over tilting the appliance during transportation
- It is recommended to handle the dishwasher with 2 people during installation

If Not In Use For A Long Time

If the appliance will not be used for a long time:

1. Disconnect the dishwasher from the mains socket.
2. Disconnect the unit from the water inlet and drain. Use a suitable receptacle to catch the water.
3. Open the door slightly to prevent unpleasant smells from building up in the compartment.
4. Ensure the washing compartment of the dishwasher is clean.

PART 6: TROUBLESHOOTING

Before contacting service center, check the following table:

Problem	Possible Cause	Recommended Action
Dishwasher doesn't start	Fuse blown, or the circuit breaker tripped.	Replace fuse or reset the circuit breaker. Remove any other appliances sharing the same circuit with the dishwasher.
	Power supply is not turned on.	Make sure the dishwasher is turned on and the door is closed securely. Make sure the power cord is properly plugged into the wall socket.
	Error code:E1; Water pressure is low	Check that the water supply is connected properly and the water is turned on.
	Door of dishwasher not properly closed.	Make sure to close the door properly and latch it.
Water not pumped from dishwasher	Twisted or trapped drain hose.	Check the drain hose.
	Filter clogged	Check the coarse filter
	Kitchen sink clogged	Check the kitchen sink to make sure it is draining well. If the problem is the kitchen sink that is not draining, you may need a plumber rather than a serviceman for dishwashers.
Suds in the tub	Wrong detergent	Use only the dedicated dishwasher detergent to avoid suds. If suds exist in the washer. Open the door for 20-30 minutes to allow the foam to evaporate. If the foam still exists in the liner. Add 1.5L of water to the liner, close the dishwasher door and run a forced drain to drain it with the water. Repeat above operation until the foam is cleared.
Stained tub interior	Detergent with colorant may have been used	Make sure that the detergent has no colorant
White film on inside surface	Hard water minerals	To clean the interior, use a damp sponge with dishwasher detergent and wear rubber gloves. Never use any other cleaner than dishwasher detergent. Otherwise, it may cause foaming or suds

Problem	Possible Cause	Recommended Action
There are rust stains on cutlery	The affected items are not corrosion resistant.	Avoid washing items that are not corrosion resistant in the dishwasher
	A program was not run after dishwasher salt was added. Traces of salt have gotten into the wash cycle	Always run a wash program without any tableware after adding salt.
	The cap of the salt container is loose.	Check whether the salt container is properly closed.
Knocking noise in the dishwasher	A spray arm is knocking against an item in a basket	Interrupt the program and rearrange the items which are obstructing the spray arm.
Rattling noise in the dishwasher	Items of tableware are loose in the dishwasher.	Interrupt the program and rearrange the items of tableware
Knocking noise in the water pipes	This may be caused by on-site installation or the cross-section of the piping.	This has no influence on the dishwasher function. If you are in doubt, contact a qualified plumber.
The dishes are not clean	The dishes were not loaded correctly.	See notes in "Loading & unloading your dishwasher".
	The program was not powerful enough.	Select a more intensive program
	Not enough detergent was dispensed	Use more detergent, or change your detergent.
	Items are blocking the movement of the spray arms	Rearrange the items so that the spray can rotate freely.
	The filter combination is not clean or is not correctly fitted in the base of wash cabinet. This may cause the spray arm jets to get blocked.	Clean and/or fit the filter correctly. Clean the spray arm jets.
Glassware look muddy	Combination of soft water and too much detergent	Use less detergent if you have soft water and select a shorter cycle to wash the glassware and to get them clean.

Problem	Possible Cause	Recommended Action
White spots appear on dishes and glasses.	Hard water can cause white spots.	Add more detergent.
Black or gray marks on dishes	Aluminum cutlery rubbed against dishes	Use a mild abrasive cleaner to eliminate those marks.
The dishes are not dry	Improper loading	Load the dishwasher as suggested in the directions.
	Dishes are removed too soon	Do not empty your dishwasher immediately after washing. Open the door slightly so that the steam can come out. Take out the dishes until the inside temperature is safe to touch. Unload the lower basket first to prevent the dropping water from the upper basket.
	Wrong program has been selected.	With a short program, the washing temperature is lower, decreasing cleaning performance. Choose a more intense program with longer washing time.
	Cutlery with a low-quality coating	Water drainage is more difficult with these items. Cutlery or dishes of this type are not suitable to be washed in the dishwasher.

Error Code

When malfunction occurs, the appliance will show error codes to warn you:

Code	Meaning	Possible Causes
E1	Longer inlet time	Faucets is not opened, or water intake is restricted, or water pressure is too low.
E3	Temperature not reached	Heating element malfunction
E4	Overflow	Some element of dishwasher leaks
E8	Failure of orientation of distribution valve.	Open circuit or the distribution valve is broken
E9	Button is pressed continuously for 30 seconds	Water seepage or something is on the control panel

WARNING!

- If overflow occurs, turn off the main water supply before calling a service.
- If there is water in the base pan because of overfill or small leak, the water should be removed before restarting the dishwasher.

If the problems still occur after checking the table above, disconnect the power plug from the outlet immediately. Contact the dealer where you purchased the appliance.

PART 7: SPECIFICATION

Model	WP 9140
Type	Built-in
Place setting	14
Color	Stainless
No. of programs	8
Spray arms	Lower, Middle, Upper
Water consumption (Liter)	10
Delay start	1-24 hours
Control Panel	Touch
Power Input (Watt)	1760-2100
Voltage & Frequency	220-240V~50Hz
Inlet water pressure (MPa)	0.04-1.0
Product dimension P x D x T (mm)	598×560×815
Product weight (kg)	42

S = Stainless, R = Red, C = Cream, O = Orange, N = Green, U = Blue, W = White, V = Silver, G = Grey, L = Black

Design and specification can change without prior notice to improve the quality of the product. The illustration in this manual is schematic and can be different with your actual product. The values on label or in other documents are according to laboratory test and relevant standards. Values can vary depending on the actual operational and environmental condition of the product.

Ciao! **MODENA**

www.modena.com

PT MODENA INDONESIA

Jl. Industri Raya I Blok D-8,
Jatiuwung, Tangerang 15135