

Nomor: IMKG.546.02.2020

**MODENA**

# **User Manual Book**

## **Microwave Oven**

### **Agiato Series**

MK 2004

MK 2005 L

# TABLE OF CONTENTS

Part 1: Safety Warnings	3
Important Instructions for General Use	5
Utensil	6
Food	7
Part 2: Name of Parts	8
Part 3: Installation	9
Installation on the Table	10
Part 4: How to Use	11
Control Panel and Operation Instructions	11
Part 5: Maintenance	12
Part 6: Troubleshooting	12
Part 7: Precaution	13
Measures to Avoid Excessive Exposure of Microwave	14
Part 8: Specification	15

This guide book explains everything you need to know about your new product. Please contact our Customer Care should you need further assistance through [www.modena.com](http://www.modena.com)

## PART 1: SAFETY WARNINGS

To reduce the risk of burns, Electric shock, fire, injury to persons, or exposure to excessive microwave energy:

- This appliance must be grounded. Connect only to a properly grounded outlet.
- The unit should digrounding. In the event of a short circuit, grounding reduces the risk of electric shock by providing a release cable for electric current. This unit is equipped with a cord that has a grounding wire with a grounding plug. The plug must be inserted into an outlet that is installed and already diground.

### WARNING

Incorrect use of the grounding plug can result in a risk of electric shock. Consult with a qualified electrician or service personnel if the grounding instructions are not completely understood, or if there is doubt as to whether the appliance is properly grounded. If it is necessary to use an extension cord, use only extension cords with grounding. Ranking marks the extension cord must be equal to or greater than the electrical rating of the appliance.

### WARNING

Install or locate this appliance only in accordance with the provided installation instructions. Some products such as whole eggs and sealed containers, for example, closed glass jars, may explode and should not be heated in this oven.

- Use this appliance only for its intended use as described in this manual. Do not use corrosive chemicals or vapors in this appliance. This type of oven is specifically designed to heat, cook or dry food. It is not designed for industrial or laboratory use. As with any appliance, close supervision is necessary when used by children.
- When the unit is operated with a combination mode, use the microwave oven by children must be under the supervision of parents.
- When the door or door seals are damaged, microwave oven can not be used until repaired first by MODENA technicians.
- Not recommended except MODENA technician who repair the microwave oven because it is very risky.

- Liquid and food should not be heated in a state still closed as it may cause an explosion.
- The microwave oven must have sufficient water flow. Keep a distance of at least 10 cm from the rear, 8 cm from the right and left, 15 cm from the top. Prohibited move the foot of microwave oven, air blocking prohibited.
- Only suitable tools that can be used for this microwave oven.
- At the time of heating food in plastic or paper containers, note furnace microwave (microwave oven) because there is the possibility of contact.
- If any odor / not normal, turn off or disconnect the plug and noticed the door remains closed to withstand fire.
- Placement of bottles and baby food should be stirred and the temperature should be checked before it is consumed by infants.
- At the time of cleaning the surface of the door, door hinges, oven space, can only use a mild soap, not rude or detergents with a sponge or soft cloth.
- Conditions microwave oven that is not clean can cause foaming of the surface which can damage and affect the resistance unit and very risky.
- Make sure the microwave door is closed when you have finished using it and when not being used.
- Do not cover or block any openings on the appliance.
- To clean the outside of the door using a soft non-abrasive soap applied to a soft sponge.
- Do not use a microwave oven to heat corrosive chemicals (for example, sulfides and chlorides). Steam from the corrosive chemicals may interact with the contact and springs of the safety interlock switch so it can not operate.
- Keep the waveguide cover clean at all times. Wipe the inside of the oven with a damp soft cloth after each use. Do not let the rest of the oil or fat in the oven space, because they can experience the warm, smoky burn even when using the oven.
- Liquids, such as water, coffee, or tea are able to be overheated beyond the boiling point without appearing to be boiling due to surface tension of the liquid. Visible bubbling or boiling when the container is removed from the microwave oven is not always present. This could result in very hot liquids suddenly boiling over when a spoon or other utensil is inserted into the liquid. To reduce the risk of injury to persons:
  - Do not overheat the liquid.
  - Stir the liquid both before and halfway through heating it.
  - Do not use straight-sided containers with narrow necks.

- After heating, allow the container to stand in the microwave oven for a short time before moving the container.
- Use extreme care when inserting a spoon or other utensil into the container.

## Important Instructions for General Use

List below, as well as the means - other electronic devices, has rules to be obeyed as safeguards to ensure the functionality of this oven.

- Make sure have plate, roller ring and players plate when using the microwave oven.
- Never use the microwave oven for anything other than food preparation, such as drying clothes, paper or non-food items or for the purpose of sterilization.
- Prohibited operate the microwave oven when empty, it can cause damage to the microwave oven.
- If a fire occurs in the oven, touch the Cancel/Stop button and keep the door closed. Disconnect the power cord, or shut off power at the fuse or circuit breaker panel.
- Do NOT attempt to dry clothes, newspapers or other materials in the oven. They may catch on fire.
- Do NOT use recycled paper products. Recycled paper towels, napkins and waxed paper can contain metal flecks which may cause arcing or ignite. Paper products containing nylon or nylon filaments should be avoided, as they may ignite.
- Some Styrofoam trays (like those that meat is packaged in) have a thin strip of metal embedded on the bottom. The microwave's metal can burn the floor of the oven or ignite a paper towel.
- Avoid inserting nails, wire, etc. through any holes in the unit during operation. Never insert a wire, nail or any other metal objects through the holes on the cavity or any other holes or gaps, because such objects may cause electric shock and microwave leakage.
- Never use the microwave oven for storage such as paper, cookbooks, and others.
- Prohibited use it to cook food webbed like egg yolks, potatoes, chicken livers and others without first cut.
- Prohibited remove / move the parts of the oven, tamper with or make any adjustments or repairs to the door, control panel or any other part of the oven. Repairs should only be performed by qualified service personnel.
- The microwave oven can only be used in accordance with instructions from the manufacture.

- Prohibited try to fry food in the microwave oven.
- Please note that the microwave oven only heats the liquid in the container, not the container. Therefore, even if the container is not hot to the touch when removing it from the microwave oven, but the food or liquid in it stays hot
- Always do the testing temperature at which food is cooked especially for baby food. It is recommended to not directly consume food / drink directly but let first few minutes so that the heat can be spread evenly.
- Food containing oil and water should be allowed to stand for 30-60 seconds in the microwave oven after is turned off. This is to allow mixing and to prevent scum - scum when a spoon is placed in food or drink or when adding broth into it.
- When preparing or cooking food / drinks, please keep in mind there are several kinds of foods such as pudding, jam, mince where the food is hot. At the time of heating the greasy food and sugar, are prohibited from using plastic containers.
- Cooking tools can be hot because the heat transfers from the food.
- Keep away electronic equipment such as TVs, radios, etc. with the microwave to prevent interference or disruption.
- Tools prohibited used for microwave oven:
  - Metal pans or dishes with metal handles.
  - Prohibited wrap the food with plastic.
- Prohibited use of melamine plates, because these materials contain ingredients that can absorb energy from the microwave oven and can cause rupture of the plate and the slow cooking process.

## Utensil

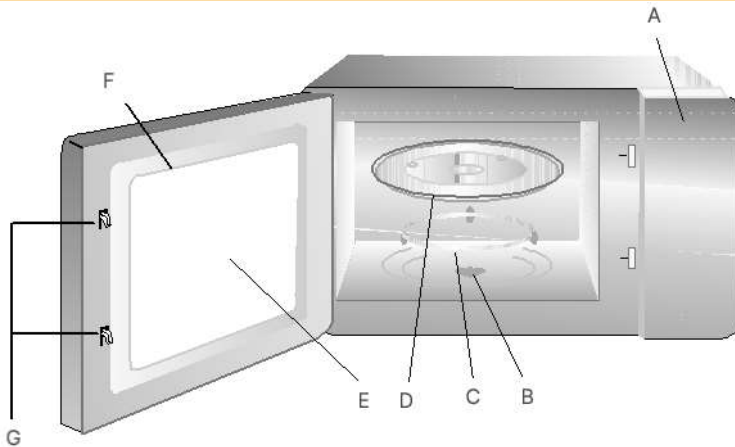
- It is forbidden to cook food directly on the plate. Place the food on the correct tool before inserting them into the microwave oven.
- Metal containers or dishes with metal trim should not be used. Sparks may occur
- "Twist-ties" metal cannot be used in a microwave oven.
- Never use the sealed bottle or bottle with a narrow neck to cook or heat up as it could break.
- Do not use conventional thermometers in the microwave oven because it can cause sparks.
- Remove the plastic wrap before cooking or thawing food in the oven.
- Tools prohibited used for microwave oven.
  - Metal pans or dishes with metal handles.

- Tools with metal accessories.
- No food with plastic wrap.
- No use of melamine plates because these materials contain ingredients that can absorb energy from the microwave furnace (microwave oven) and can cause rupture of the plate and the slow cooking process.

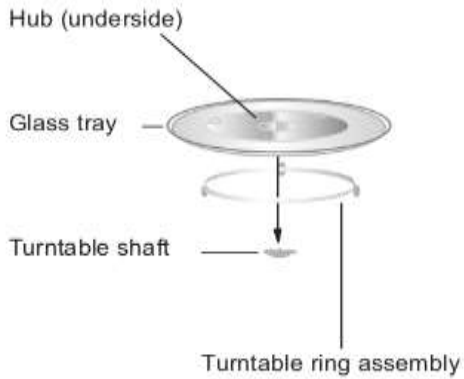
## Food

- Do not use a microwave oven to prepare food cans (with tin). Because canned food can be harmful and dangerous for consumption.
- The cooking times given in the cookbook are approximate. Several factors may affect the length of cooking time ranging temperature, volume, size and shape of food and equipment used. When you are accustomed to using the oven, you will be familiar and able to adjust these factors.
- Better cuisine under the conditions ripe than overripe. The food was not too ripe, it can always be returned to the oven to be cooked further. If the food is overcooked, nothing can be done again. Always start with minimum cooking time.
- The food in small quantities or low humidity levels can burn, dry, if cooked too long.
- Do not boil an egg in its shell. Pressure can accumulate inside the shell and the egg may explode.
- Potatoes, apples, egg yolks, whole acorn squash and sausage are some examples of foods with non-porous skin. The skin should be pierced / perforated before cooking to prevent bursting.
- Popcorn only be processed using a special microwave. Do not use oil unless specified by the manufacturer, or heat for longer than recommended. Never heat the popcorn in paper bag or glass equipment or directly on the glass tray.
- Do not fry the fat in the microwave. Do not use paper towels to cover food because it can burn.
- The heated liquid can overflow if not mixed or without stirring first

## PART 2: NAME OF PARTS



- A) Control panel
- B) Turntable shaft
- C) Turntable ring assembly
- D) Glass tray
- E) Observation window
- F) Door assembly
- G) Safety interlocks system





## PART 3: INSTALLATION

- Make sure all the packing materials are removed from the inside of the door.
- Inspect the oven after unpacking for any visual damage such as :
- Misaligned Door
- Damaged Door
- Dents or Holes in Door Window and Screen
- Dents in Cavity

If any of the above is visible, DO NOT use the oven.

- This microwave oven must be placed on a horizontal surface strong enough to support this weight.
- The oven must be placed away from high temperature and steam.
- DO NOT place anything on top of the oven.
- On the use of freestanding, leave a space of at least 10 cm from the rear, 8 cm from both sides of the wall and 15 cm from the top to ensure proper ventilation.
- On the use of a built-in (planted), adjust the distance by following the installation of an appropriate frame.
- DO not remove the turn-table drive shaft when use microwave oven.
- Do not remove the light brown Mica cover that is attached to the oven cavity to protect the magnetron.

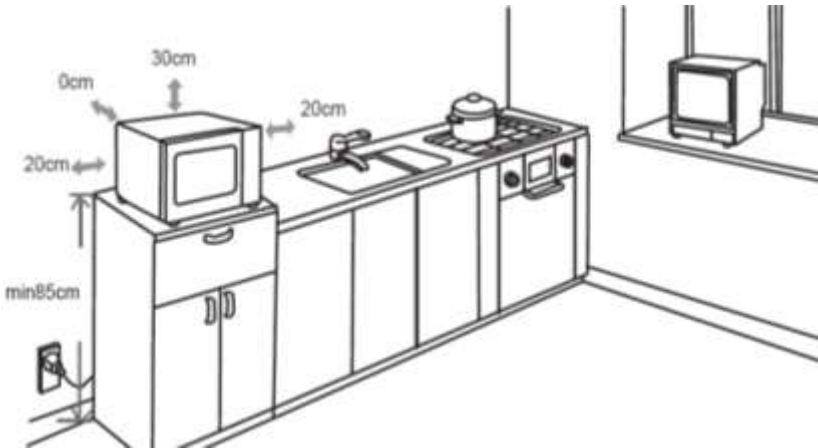
As with any appliance, close supervision is necessary when used by children

### WARNING

- The plug socket should be within easy reach of the power cord.
- This oven requires 1.5 KVA for its input. Consultation with service engineer is suggested when installing the oven.

## Installation on the table

1. Select a level surface that provides enough open space for the intake and/or outlet vents.



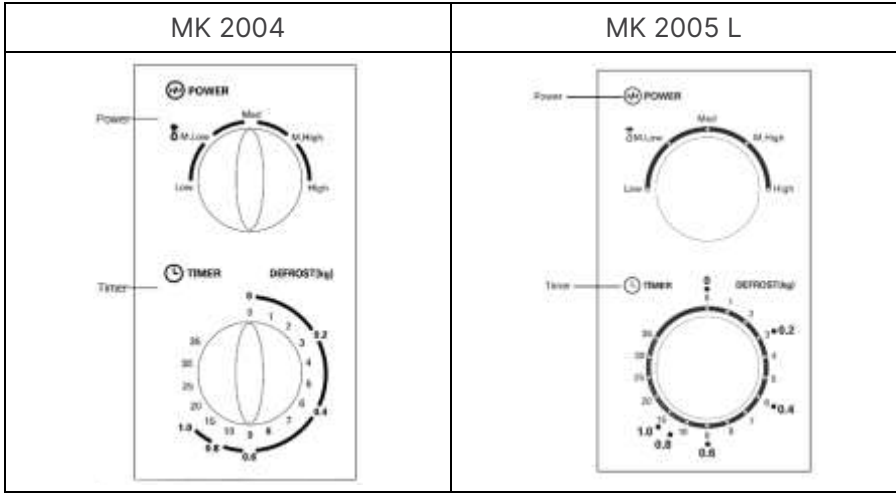
- a. The minimum installation height is 85cm.
  - b. The rear surface of appliance shall be placed against a wall. Leave a minimum clearance of 30cm above the oven, a minimum clearance of 20cm is required between the oven and any adjacent walls.
  - c. Do not remove the legs from the bottom of the oven.
  - d. Blocking the intake and/or outlet openings will damage the oven.
  - e. Place the oven far from radios and TV as possible. Operation of microwave oven may cause interference to your radio or TV's reception.
2. Plug your oven into a standard household power socket. Make sure the voltage and the frequency is the same as the voltage and the frequency on the rating label.

### **WARNING**

Do not install the oven over a range cook top or another heat-producing appliance. If installed near or over a heat source, the oven will be damaged and the warranty would be void.

## PART 4: HOW TO USE

### Control Panel and Operation Instructions



- To set cooking power by turning the power knob to desired level.
- To set the time of cooking by turning the timer knob to desired time per your food cooking guide.
- The microwave oven will automatically start cooking after power level and time are set.
- After the cooking time is up, the units will "Dong" to stop.
- If the unit is not in use, always set time to "0".

Function/Power	Output	Application
Low	17% <i>microwave</i>	Soften ice cream
Med. Low (Defrost)	33% <i>microwave</i>	Soup stew, soften butter or defrost
Med.	55% <i>microwave</i>	Stew, fish
Med. High	77% <i>microwave</i>	Rice, fish, chicken, ground meat
High	100% <i>microwave</i>	Reheat, milk, boil water, vegetables, beverage

## NOTES

When removing the food from the oven, please make sure that the oven power is switched off by turning the timer switch to 0 (zero). Failure to do so, and operating the microwave oven without food in it, can result in overheating and damage to the magnetron.

## PART 5: MAINTENANCE

Be sure to unplug the appliance from the power supply.

- Clean the cavity of the oven after using with a slightly damp cloth.
- Clean the accessories in the usual way in soapy water.
- The door frame and seal and neighboring parts must be cleaned carefully with a damp cloth when they are dirty.
- Do not use harsh abrasive cleaners or sharp metal scrapers to clean the oven door glass since they can scratch the surface, which may result in shattering of the glass.

### Cleaning Tip:

For easier cleaning of the cavity walls that the food cooked can touch: Place half a lemon in a bowl, add 300ml (1/2 pint) water and heat on 100% microwave power for 10 minutes. Wipe the oven clean using a soft, dry cloth.

## PART 6: TROUBLESHOOTING

Consult the following troubleshooting before contacting our Service Center regarding your microwave oven:

Microwave oven interfering TV reception	Radio and TV reception may be interfered when microwave oven operating. It is similar to the interference of small electrical appliances like mixer, vacuum cleaner, and electric fan. It is normal.
Dim oven light	In low power microwave cooking, oven light may become dim. It is normal.
Steam accumulating on door, hot air out of vents	In cooking, steam may come out of food. Most will get out from vents. But some may cumulate and cool place like oven door. It is normal.
Oven started accidentally without food inside.	It is forbidden to run the oven without any food inside. It is very dangerous.

Problem	Possible cause	Recommended Action
Oven cannot be started	Power cord not plugged in tightly	Unplug. Then plug again after 10 second.
	Fuse blowing or circuit breaker works.	Replace fuse or reset circuit breaker (repaid by professional personal of Modena).
	Problem with appliance	Test the appliance with other electrical appliances.
Oven does not heated	Door does not closed well	Make sure to close the door
Glass turntable makes noise when microwave oven operates	Dirty roll rest and oven bottom	Refer to “maintenance of microwave” to clean dirty part.

## PART 7: PRECAUTION

- Read the instructions carefully before operating.
- Ensure that the voltage indicated on the back of the unit in accordance with the voltage in your home before you connect the device to a power source.
- Remove the plug from the socket before you insert and remove accessories and before you clean the microwave oven) . Always remove the plug from the socket when you have finished using it or if it is not being used.
- Do not operate the microwave oven if the power cord or plug is damaged, not working properly, the microwave oven is dropped or damaged for any reason. Bring to MODENA Service Center for examination and testing, setting back electrical or mechanical function and repair as necessary.
- To prevent the risk of electrical shock, do not put / dip power cord or plug in water or other liquids.
- Always clean the microwave oven after completion of use and do not immerse in water.
- The use of equipment / tools not recommended and supplied by the manufacturer may cause fire, can be raises a risk of electric shock / short circuit and damage to the furnace microwave (microwave oven) you.
- Do not use the microwave oven in open space.
- Do not let the power cord hanging or nestled away on a side table or touch hot surfaces, including stove and etc.

### Measures to avoid excessive microwave exposure:

- Do not attempt to operate this oven with the door open, as long as the door is open, the process can result in harmful exposure to microwave energy. It is important not to impede or tamper with the safety interlocks section.
- Do not place any object between the oven front and the door or allow dust or residual cleanser accumulate on sealing surfaces / seals.
- Do not operate the oven if it is damaged. It is very important that the oven door closes properly and that there is no damage to the (1) door (bent), (2) hinges and latches (broken or loosened), (3) Door seals and sealing surfaces.
- The oven must be adjusted or repaired only by qualified service personnel.

## PART 8: SPECIFICATION

MODEL	MK 2004	MK 2005 L
Type	Microwave oven	Microwave Oven
Installation type	Freestanding	Freestanding
Oven capacity (liter)	20	20
Power level	10	5
Grill function	No	No
External color	Silver	Black
Oven cavity color	Grey	Grey
Door color	Black + Silver	Black
Microwave output (watt)	700	700
Grill output (watt)		
Power input (watt)		
Grill output (watt)	-	-
Power input (watt)	1050	1050
Voltage	220 V / 50 Hz	220 V / 50 Hz
Dimension (L x W x H) mm	440 x 350 x 259	440 x 356 x 259

Specifications of this appliance may change without notice to improve the quality of the product. Pictures in this manual are schematic and may not match your product exactly. Values stated on the machine labels or in the documentation accompanying it are obtained in laboratory in accordance with the relevant standards. Depending on operational and environmental conditions of the appliance, values may vary.



**PT MODENA INDONESIA**

Jl. Industri Raya I Blok D-8,  
Jatiuwung, Tangerang 15135