

MODENA

User

Manual Book

Freestanding Dishwasher

WP 7121 S

WP 7134 WVM

Table Of Content

PART 1: SAFETY INFORMATION	4
PART 2: NAME OF PARTS	7
WP 7121 S.....	7
WP 7134 WVM.....	8
PART 3: INSTALLATION	9
PART 4: HOW TO USE	13
Control Panel of WP 7121 S.....	13
Control Panel of WP 7134 WVM	16
Preparing the Dishwasher for First Use.....	18
Before Using Your Dishwasher.....	18
Instructions for WP 7121 S	18
Dishwasher Programs of WP 7121 S	35
Instructions for WP 7134 WVM.....	39
Dishwasher Programs of WP 7134 WVM.....	51
PART 5: MAINTENANCE.....	52
External Maintenance of WP 7121 S.....	52
Internal Maintenance of WP 7121 S.....	52
External Maintenance of WP 7134 WVM	56
Internal Maintenance of WP 7134 WVM.....	56
PART 6: POINTS OF ATTENTION.....	60
PART 7: TROUBLESHOOTING	62

WP 7121 S.....	62
WP 7134 WVM.....	67
PART 8: SPECIFICATION.....	68

PART 1: SAFETY INFORMATION

READ THIS MANUAL CAREFULLY!

- This appliance is intended to be used in household and similar applications such as:
- Staff kitchen areas in shops, offices, and other working environments.
- Farmhouses.
- Hotels, motels, and other residential type environments.
- Bed and breakfast type environments.
- This appliance is not intended for use by persons (including children) with reduced physical, sensory, or mental capabilities, or lack of experience and knowledge, unless they have been given supervision or instruction concerning use of the appliance by a person responsible for their safety.
- This appliance is for indoor use only, for household use only.
- To prevent the risk of electrical shock, do not immerse the unit, cord, or plug in water or other liquid.
- Please unplug the power plug before cleaning and maintaining the appliance.
- Use a soft cloth moisten with mild soap, and then use a dry cloth to wipe it again.

GROUNDING INSTRUCTION

- This appliance must be grounded. When malfunction or breakdown occurs, grounding will reduce the risk of an electric shock by conducting the electric current to the ground. This appliance is equipped with a grounding-equipped conductor cord and a grounding plug.
- The plug must be plugged into an appropriate outlet that is installed and grounded in accordance with all local regulations and safety standards.
- Do not modify the plug provided with the appliance if it does not fit with the outlet. Have a proper outlet installed by a qualified electrician.
- Improper connection of the grounding-equipment conductor can result in the risk of electric shock. Check with a qualified electrician or service representative if you are in doubt whether the appliance is properly grounded.

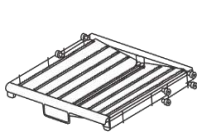
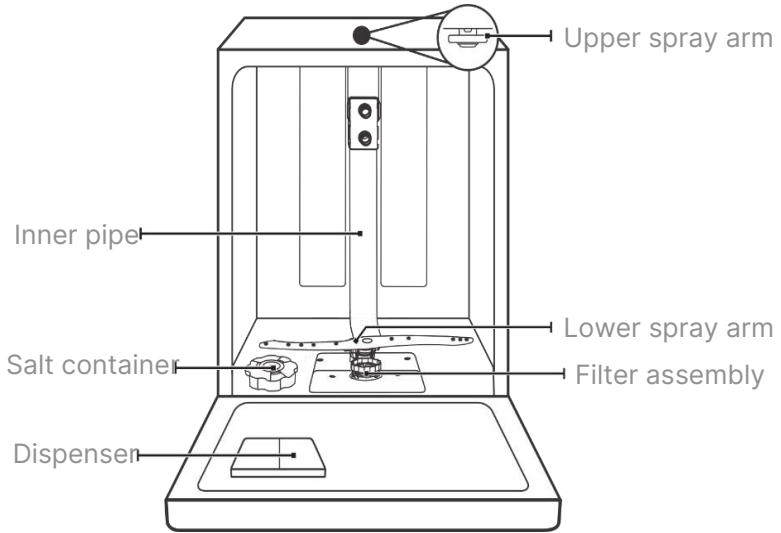
GENERAL USE

- Do not harm, sit on, or stand on the door or the dish rack of the dishwasher.
- Do not operate your dishwasher unless all panels are properly in place.
- Open the door very carefully if the dishwasher is operating, there is a risk of water sprays out.
- Do not place any heavy objects on or stand on the door when it is open. The appliance could fall forward.
- When loading items to be washed: 1) Check and place sharp items to ensure they won't damage the door seal; 2) Warning: Knives and other utensils with sharp points must be loaded in the basket with their points down or placed in a horizontal position.
- Check if the detergent powder is empty after completion of the wash cycle.

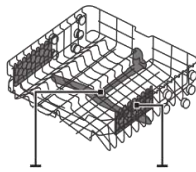
- Do not wash plastic items unless they are marked as dishwasher safe or the equivalent. For plastic items without mark, check the manufacturer's recommendations.
- Use only detergent that exclusively designed for an automatic dishwasher.
- Never use soap, laundry detergent, or hand washing detergent for this appliance.
- Supervise the children to ensure that they do not play with the appliance.
- The door should not be left open, since this could increase the risk of appliance to fall forward.
- If the supply cord is damaged, it must be replaced by the manufacturer or its service agent or a similarly qualified person in order to avoid hazard.
- During the installation, the power supply and the cord must not be bent or crushed.
- Do not tamper the controls.
- The appliance must be connected to the water sources using new hose sets and the old hose-sets should not be reused.
- The maximum number of place settings to be washed is 14.
- The maximum permissible inlet water pressure is 1 MPa.
- The minimum permissible inlet water pressure is 0.04 MPa.

PART 2: NAME OF PARTS

WP 7121 S



Cutlery rack



Middle spray arm

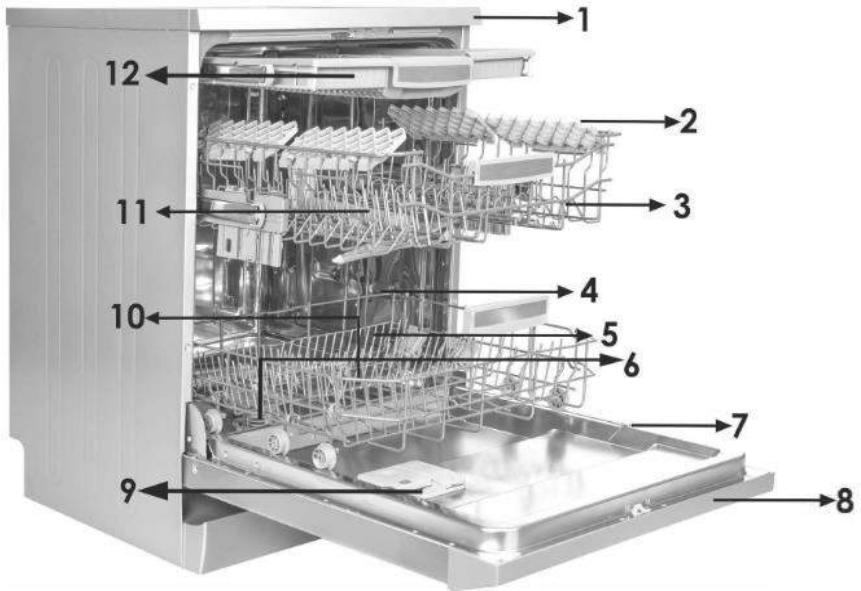


Cup rack

Upper basket

Lower basket

WP 7134 WVM



- | | |
|----------------------------|--------------------------------------|
| 1. Worktop | 9. Detergent and rinse-aid dispenser |
| 2. Upper basket with racks | 10. Cutlery basket |
| 3. Upper spray arm | 11. Salt dispenser |
| 4. Lower basket | 12. Upper basket track latch |
| 5. Lower spray arm | |
| 6. Filters | |
| 7. Rating plate | |
| 8. Control panel | |

PART 3: INSTALLATION

Installation Preparation

- The installation of dishwasher should be placed be near the existing water inlet tap and drain outlet and power socket.
- One side of the sink cabinet should be chosen to facilitate the connection of drain hoses of the dishwasher.

Power Connection

WARNING!

For personal safety:

- DO NOT use an extension cord or an adapter plug for this appliance.
- DO NOT under any circumstances, cut or remove the grounding connection from the power cord.

Electrical Requirements

Please look at the rating label to know the rating voltage and connect the dishwasher to the appropriate power supply. Use the required fuse 10-amp, time delay fuse or recommended circuit breaker and provide separate circuit for this appliance only.

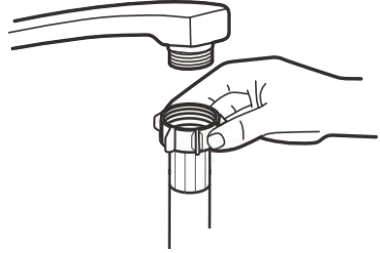
Electrical Connection

Ensure the voltage and frequency of the power source match with the rating plate. Only insert the plug into an electrical socket that properly grounded. If the electrical socket is not suitable with the appliance's plug, replace the socket, rather than using an adapter as it could cause overheating and risk of fire.

Ensure that the grounding is proper before using the dishwasher!

Water Connection

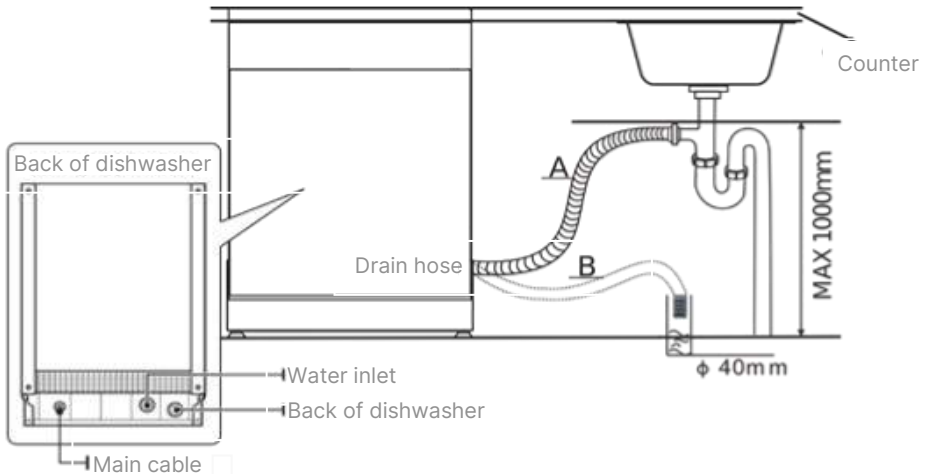
Connect the cold-water supply hose to a threaded 3/4-inch connector and make sure that it is fastened tightly in place. If the water pipes are new or have not been used for an extended period, let the water run first to make sure that the water is clean and free of dirt. If this precaution is not taken, there is a risk that the water inlet can get blocked and thus damage the appliance.



Please Note: If the supplied hose does not fit your tap, please contact your local plumbing supply center where adapters are available for purchase.

Drain Hose Connection

Insert the drain hose into a drainpipe with a minimum diameter of 40 mm, or let it run into the sink, make sure to avoid bending or crimping the hose. The height of drainpipe must be less than 1000 mm. The free end of the hose must not be submerged in water to avoid the back flow of it. Ensure the drain hose is locked properly in either position A or position B!



How to Drain Excess Water

If the sink is 1000 mm higher or more than the floor, the excess water in hoses cannot be drained directly to the sink. It will be necessary to drain the excess water from hoses to a bowl or suitable container that placed outside and is lower than the sink.

Water Outlet

Connect the water drain hose. The drain hose must be installed properly to avoid water leaks. Ensure that the water drain hose is not kinked or crushed.

Extension Hose

If you need a drain hose extension, make sure to use a similar drain hose. It must be no longer than 4 meters, otherwise the cleaning effect of the dishwasher could be reduced.

Syphon Connection

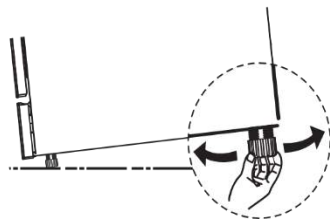
The waste connection must be at a height less than 100 cm (maximum) from the bottom of the dish. The water drain hose should be in a fixed condition.

Positioning the Appliance

Position the appliance in the desired location. The back should stick to the wall behind it, and the sides to the adjacent cabinets or wall. The dishwasher is equipped with water inlet hose and drain hose that can be positioned to the right or the left to facilitate proper installation.

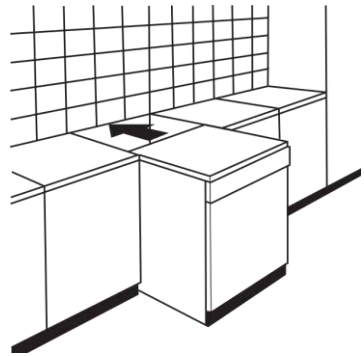
Leveling The Appliance

Once the appliance is positioned for leveling, the height of the dishwasher can be adjusted by rotating the screw level of the feet. The appliance must not be skewed more than 2°.



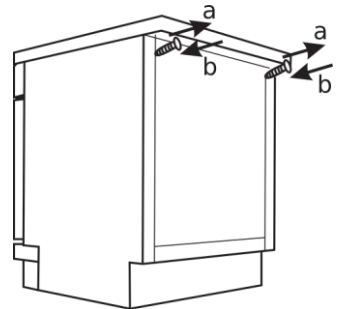
Freestanding Installation

The height of the dishwasher is 845 mm. It has been designed to fit the machine between the existing cabinets of the same height in modern kitchen cabinet. The feet can be adjusted so the desired height is reached. The laminated top of the machine does not require any maintenance since it is heatproof, scratch proof and stain proof.



Underneath The Existing Worktop

(When fitting beneath a worktop) In most modern fitted kitchens there is a single worktop cabinet in which an electrical appliance can be fitted there. In this case, remove the worktop of the dishwasher by unscrewing the screws on the top rear side (a).



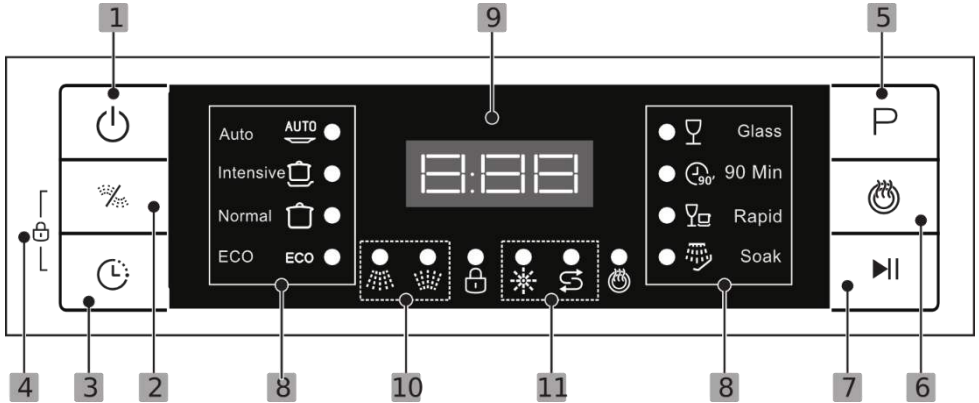
ATTENTION!

After removing the top, the screws must be installed again on the top edge of the rear side (b).

The height will then be reduced to 815 mm, according to the International Regulations (ISO) and the dishwasher will fit perfectly under the kitchen working top






PART 4: HOW TO USE

Control Panel of WP 7121 S



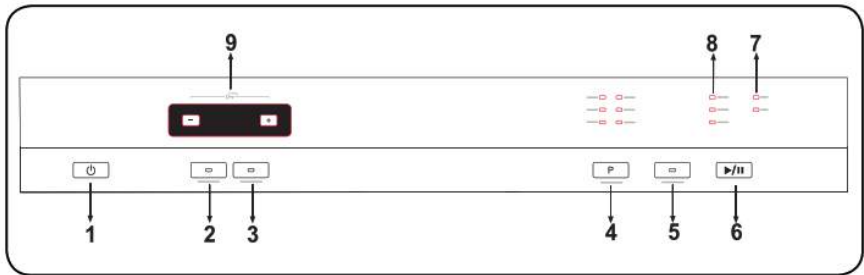
<p>1 Power</p>	<p>Press this button to turn on the dishwasher. When turned on the screen will light up.</p>
<p>2 Alt</p>	<p>For small loads, you may use just the upper or lower rack to save energy. By pressing this button, each of the cycles will run on the upper or lower rack only.</p>
<p>3 Delay</p>	<p>Press this button to set the delay time for washing. You can delay the washing up to 24 hours. One press of this button delays the start of washing by one hour.</p>
<p>4 Child Lock</p>	<p>This option allows you to lock the buttons on the control panel - except the Power button - so children cannot accidentally start the dishwasher by pressing the buttons on the panel. To lock or unlock the buttons on the control panel, press and hold the Delay button + Alt button for 3 seconds simultaneously. When pressing this button, the indicator will light up.</p>

5 Program	To select the appropriate washing program, the selected program indicator will light up.
6 Extra Drying	To wash the filthy and hard to clean dishes. (It can only be used with Intensive, Normal, ECO, Glass, and 90 min program)
7 Start/ Pause	To start the selected washing program or pause it when the dishwasher is working.

8 Program Indicator	<p style="text-align: center;">Auto</p> <p> AUTO</p> <p>Washing program by automatically detect the level of soiled tableware, with or without dried food particles.</p>
	<p style="text-align: center;">Intensive</p> <p></p> <p>Heavily soiled items including pots and pans, and dishes with sticky dried food particles.</p>
	<p style="text-align: center;">Normal</p> <p></p> <p>For normally soiled loads, such as pots, plates, glasses and lightly soiled pans.</p>
	<p style="text-align: center;">ECO</p> <p>ECO</p> <p>This is the standard program suitable for normally soiled loads, such as pots, plates, glasses and lightly soiled pans.</p>
	<p style="text-align: center;">Glass</p> <p></p> <p>For lightly soiled crockery and glass.</p>
	<p style="text-align: center;">90 Min</p> <p></p> <p>For normally soiled loads that need a quick</p>

		wash.
		<p>Rapid</p>  <p>A shorter wash for lightly soiled loads that do not need drying.</p>
		<p>Soak</p>  <p>To rinse the dishes that you plan to wash later that day.</p>
9	Screen	 <p>To show the program, delay time, error code etc.</p>
10	Alt Indicator	<p>Upper</p>  <p>When you select Upper, only the upper rack nozzle is activated. The lower nozzle will not operate.</p>
		<p>Lower</p>  <p>When you select Lower, only the lower rack nozzle is activated. The upper nozzle will not operate.</p>
11	Warning Indicator	<p>Rinse Aid</p>  <p>If the “” indicator is lit, it means the rinse aid is low and requires a refill.</p>
		<p>Salt</p>  <p>If the “” indicator is lit, it means the dishwasher salt is low and needs to be refilled.</p>

Control Panel of WP 7134 WVM



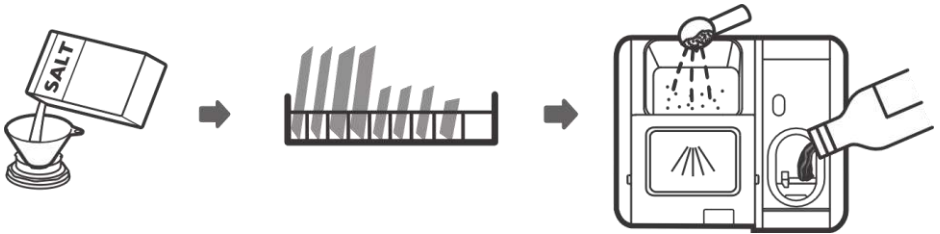
<p>1 Power</p>	<p>Press this button to turn on the dishwasher. When turned on the Start/Buton light (6) will illuminate</p>
<p>2 Extra Hygiene Button</p>	<p>To change the washing temperature and the duration of respective cycles, ensuring hygiene washing</p>
<p>3 Tablet Detergent Button</p>	<p>Press it when using detergent that contains salt, rinse aid, and other extras</p>
<p>4 Program Selection Button</p>	<p>Pressing this button allows you to select the desired program</p>
<p>5 Half Load Button</p>	<p>Press this button to reduce the duration of the program, and therefore decrease your energy and water consumption</p>
<p>6 Start/Pause Button</p>	<p>Press this button to start selected program. The light on the Start/Buton will switch off and the wash light (8) will illuminate. If the door of your machine is opened while a program is running, the Start/Pause light (6) will flash</p>

7 Rinse Aid Lack Warning Indicator	It will illuminate when there is insufficient softening salt. It indicates that the chamber needs filling
8 Wash, Dry, and End Light	It indicates the status of the program in operation. The machine will remain silent for 40 to 50 minutes while the Drying light is on
9 Remaining Time Indicator (with + and – buttons)	It displays the program time and the time remaining of the program in operation

Preparing the Dishwasher for First Use

- Make sure the electricity and supply water specifications match the values indicated in the instruction
- Remove all packaging material inside the machine
- Set the water softener level
- Fill the rinse aid compartment

Before Using Your Dishwasher



1. Set the water softener
2. Load the salt into the salt container
3. Load the basket
4. Fill the rinse aid and detergent dispenser

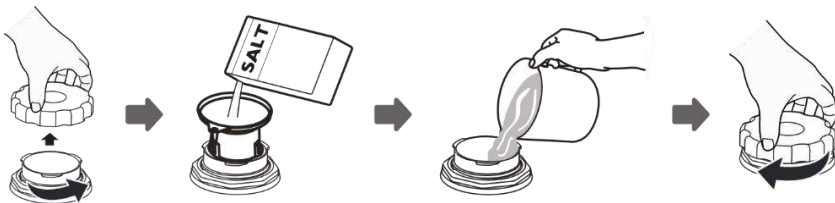
Instructions for WP 7121 S

Filling The Salt Container

If your model does not have salt container, you may skip this section. The salt container is located beneath the basket and should be filled as follows:

WARNING!

- Only use salt specifically designed for dishwashers use! Every other type of salt not specifically designed for dishwasher use, especially table salt, will damage the water softener. In case of damages caused using unsuitable salt the manufacturer does not give any warranty nor is liable for any damages caused.
- Only fill the salt before running a cycle. This will prevent any grains of salt or salty water, which may have been spilled and remain on the bottom of the machine for any period, which may cause corrosion.



- A. Remove the lower basket and then remove the cap from the salt container by rotating it counterclockwise.
- B. Place the end of the funnel (supplied) into the hole and pour in about 1.5 kg of dishwasher salt
- C. Fill the salt container to its maximum limit with water, it is normal for a small amount of water to come out of the salt container.
- D. After filling the container, place and rotate the cap back tightly.
- E. The salt indicator light will turn off after the salt container has been filled with salt.
- F. Immediately after filling the salt into the salt container, a washing program should be started (We suggest you to use the short program). Otherwise, the filter system, pump or other important

parts of the machine may be damaged by the salt water. This will cancel the product's warranty

NOTE:

- The salt container must only be refilled when the salt warning light in the control panel comes on. Depending on how fully the salt dissolves, the salt warning light may still be on even though the salt container is filled. If there is no salt warning light in the control panel (For some Models), you can judge when to load the salt into the container by the cycles that the dishwasher had run.
- If there are spills of the salt, a soak or a rapid program should be run to remove the excess salt.

Adjusting Salt Consumption

The dishwasher is designed to allow for adjustment in the amount of salt consumed based on the hardness of the water used. This is intended to optimize and adjust the level of salt consumption.

Please follow these steps below for adjustment in salt consumption.

1. Turn on the appliance.
2. Press the Start/Pause button for more than 5 seconds to start the water softener setting mode within 60 seconds after the appliance is turned on.
3. Press the Start/Pause button to select the proper setting according to your local environment, the sets will change in the following sequence: H1->H2->H3->H4->H5->H6.
4. Press the Power button to end the set-up model.

There are 6 levels of salt consumption in general. It is recommended to select the level according to below table:

WATER HARDNESS				Water softener level	Salt consumption (g/cycle)
German °dH	French °fH	British °Clark	Mmol/l ¹⁾		
0 - 5	0 - 9	0 - 6	0.0 - 0.94	H1	0
6 - 11	10 - 20	7 - 14	1.0 - 2.0	H2	9
12 - 17	21 - 30	15 - 21	2.1 - 3.0	H3	12
18 - 22	31 - 40	22 - 28	3.1 - 4.0	H4	20
23 - 34	41 - 60	29 - 42	4.1 - 6.0	H5	30
35 - 55	61 - 98	43 - 69	6.1 - 9.8	H6	60

- 1) Millimole, international unit of measurement for water hardness
- 2) Default factory setting

Contact your local water institution for information on the water hardness

Filling The Basket

Recommendation:

- Consider buying tableware which identified as dishwasher safe.
- For particular items, select a program with the lowest possible temperature.
- To prevent damage, do not take glass and cutlery out of the dishwasher immediately after the program has ended.

Suitability Of Use

Not suitable:	Limited Suitability:
<ul style="list-style-type: none"> ● Cutlery with wooden, horn, or mother-of-pearl handles ● Plastic items that are not heat resistant ● Older cutlery with glued parts that are not heat resistant ● Bonded cutlery items or dishes ● Pewter or copper items ● Crystal glass ● Steel items subject to rusting ● Wooden items ● Items made from synthetic fibers 	<ul style="list-style-type: none"> ● Some glasses may look dull after a large number of washes. ● Silver and aluminum have a tendency to discolor during the washing process. ● Glazed patterns may fade if washed frequently.

Attention Before and After Filling the Baskets

- (For the best performance of the dishwasher, follow these loading guidelines. Features and appearance of baskets and cutlery baskets may vary from your model.)
- Scrape off any large food particles. Soften burnt food particles in pans. It is not necessary to rinse the dishes under running water. Place objects in the dishwasher in following way:
- Items such as cups, glasses, pots/pans, etc. should face downwards.
- Curved items or those with niche should be placed on a tilted position so the water can run off.
- All tableware are neatly arranged and cannot fall easily.
- All tableware are placed in the way that the spray arms can rotate freely during the washing.

NOTE:

Very small items should not be washed in the dishwasher as they could fall easily from the basket

- Insert hollow items such as cups, glasses, pans etc. facing downwards so the water does not get collected in the cavity.
- Plates and cutleries must not lie on or cover each other.
- To avoid damage to glasses, they must not touch each other.
- Long bladed knives stored vertically are dangerous!
- Long and/or sharp items of cutlery such as carving knives must be positioned horizontally in the basket.
- Please do not overload your dishwasher. This is important for good results and for reasonable energy consumption.

Removing The Dishes

To prevent water dripping from the upper basket, we recommend you to empty the lower basket first, followed by the upper basket. Careful, the items will be hot! To prevent damage, do not take out the glasses and cutleries from the dishwasher for around 15 minutes after the program has ended.

Filling The Upper Basket

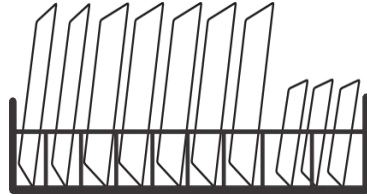
The upper basket is designed to hold more susceptible and lighter tableware such as glasses, coffee and teacups, saucers, as well as plates, small bowls and shallow pans (as long as they are not too dirty). Place the dishes and cookware well so they will not get moved by the spray of water.



Filling The Lower Basket

We suggest that you place large

and hard to clean items on the lower basket: such as pots, pans, lids, serving dishes and bowls, as shown in the figure. It is preferable to place serving dishes and lids on the side of the racks in order to avoid blocking the rotation of the top spray arm.



The maximum diameter of plates that can be placed in front of the detergent dispenser is 19 cm, this is to ensure that the door can be closed.

Filling The Cutlery Basket

Cutlery should be placed in the cutlery rack. Place them separately from each other in the appropriate positions, and make sure the utensils do not stack, this may cause bad performance.

WARNING:

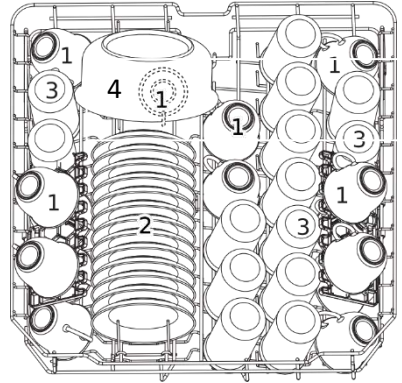


Do not let any item extend through the bottom. Always place the sharp utensils with the sharp tip facing down!

Loading The Baskets

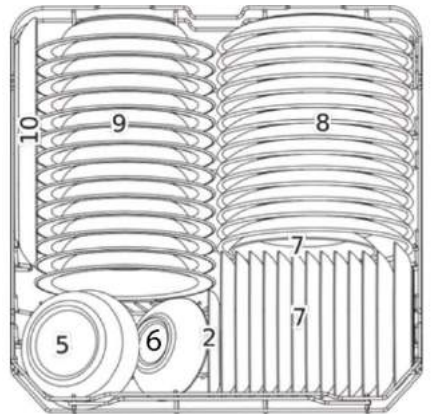
Upper Basket

No.	Item
1	Cups
2	Saucers
3	Glasses
4	Large serving bowl

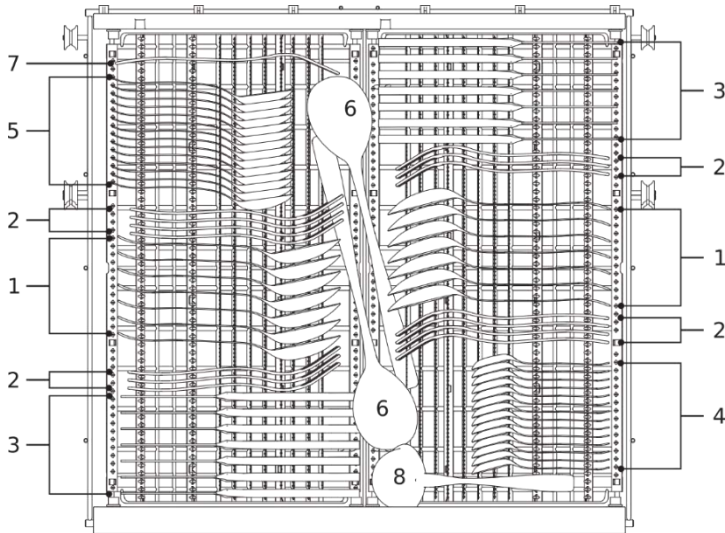


Lower Basket

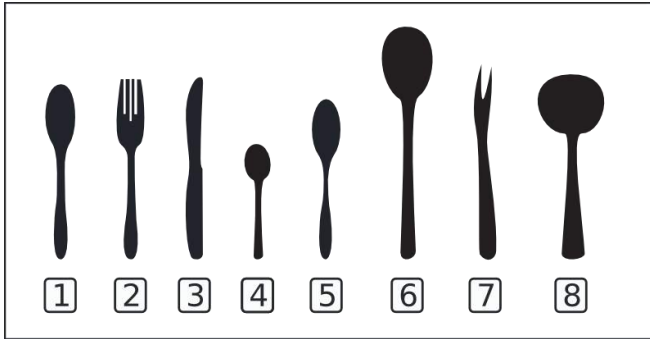
No.	Item
5	Medium serving bowl
6	Small serving bowl
7	Dessert dishes
8	Dinner plates
9	Soup plates
10	Oval platter



Cutlery Basket



No.	Item
1	Soup spoons
2	Forks
3	Knives
4	Teaspoons
5	Dessert spoons
6	Serving spoons
7	Serving forks
8	Gravy ladles



Information on comparability tests in accordance with EN 50242

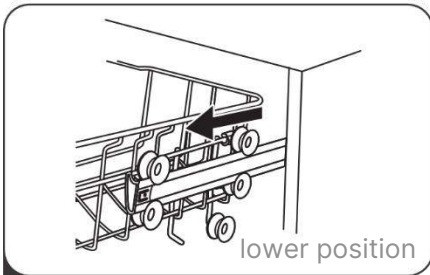
- Capacity: 14 place settings
- Program: ECO
- Rinse aid setting: 6
- Softener setting: H3

Basket Usage Tips

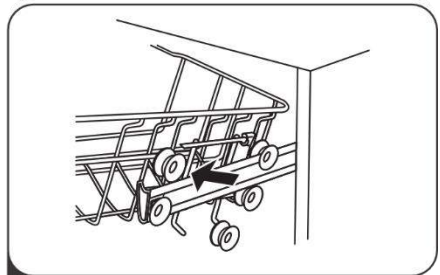
Adjusting The Upper Basket

Type 1:

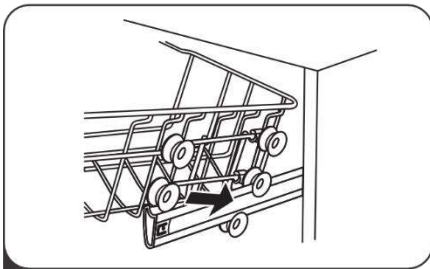
The height of the upper basket can be easily adjusted to accommodate taller dishes in either the upper or lower basket. To adjust the height of the upper rack, follow these steps:



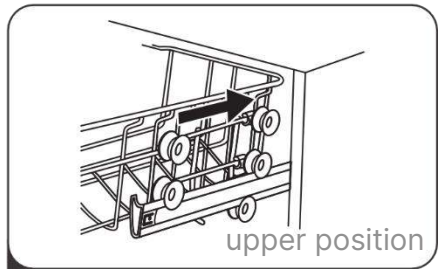
1 Pull out the upper basket.



2 Remove the upper basket.

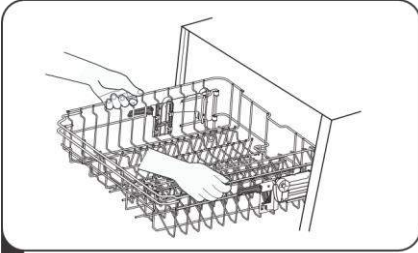


3 Re-attach the upper basket to upper or lower rollers.

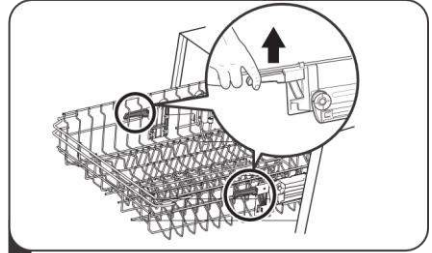


4 Push in the upper basket.

Type 2:



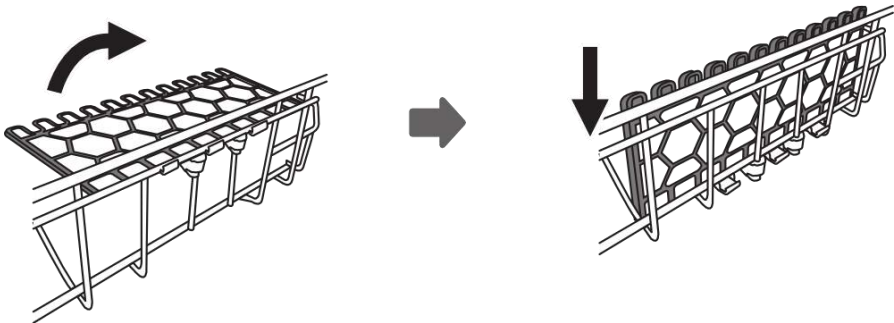
1 To raise the upper basket, lift the upper basket at the center of each side until the basket locks in the upper position. It is not necessary to lift the adjuster handle.



2 To lower the upper basket, lift the adjuster handles on each side to lower it.

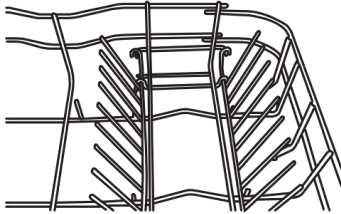
Folding The Cup Shelves

To make room for taller items in the upper basket, raise the cup rack upwards. You can then place the tall glasses on it. You can also remove it when it is not required for use.

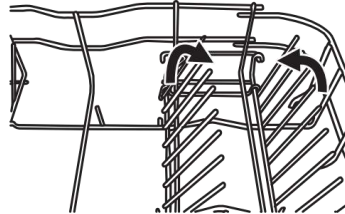


Folding The Rack Shelves

The spikes of the lower basket are used for holding plates and a platter. They can be lowered to make more room for larger items.

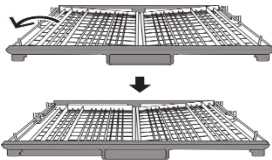


Raised

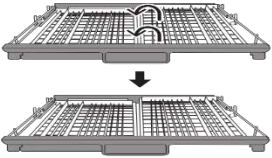


Lowered

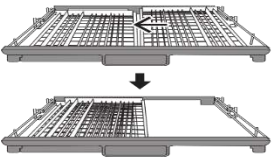
Cutlery Rack Usage Tips



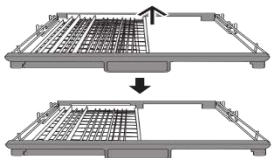
Lift the left basket up, adjust it to lower position, left basket is flat and right basket is slightly tilting.



Lift the right basket up, both left and right baskets are flat.



Move the right basket from right to left, two baskets are overlapping



Remove the right basket from the tray, leaving only the left basket.

This configuration gives more space to the upper basket to put bigger items

Function Of Rinse Aid and Detergent


The rinse aid is released during the final rinse to prevent water from forming droplets on your dishes which can leave spots and streaks. It also improves drying by allowing water to roll off the dishes. Your dishwasher is designed to use liquid rinse aids.

WARNING!

Only use branded rinse aid for dishwasher. Never fill the rinse aid dispenser with any other substances (e.g. Dishwasher cleaning agent, liquid detergent). This would damage the appliance.

When To Refill The Rinse Aid Dispenser

The dispenser can be refilled depends on how often the dishes are washed and the rinse aid setting used.

- The Rinse Aid Indicator () will lights up on the display screen when more rinse aid is needed.
- Do not overfill the rinse aid dispenser.

Function Of the Detergent

The chemical ingredients that compose the detergent are necessary to remove, crush, and dispense all dirt out of the dishes. Many commercial detergents are suitable for this purpose.

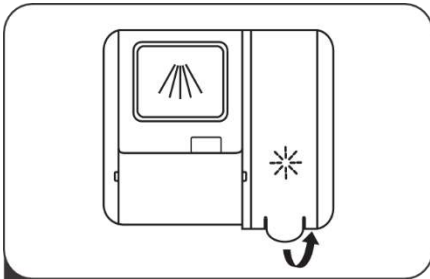
WARNING!

- **Proper Use of Detergent**

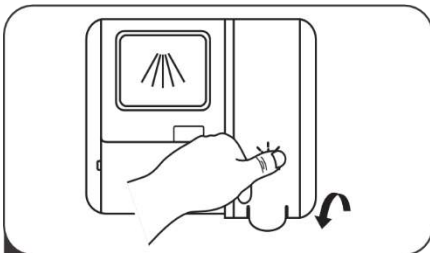
Use only detergent specifically made for dishwashers use. Keep your detergent fresh and dry. Don't put powdered detergent into the dispenser until you are ready to wash dishes.

- **Dishwasher detergent is corrosive! Keep dishwasher detergent out of the reach from the children.**

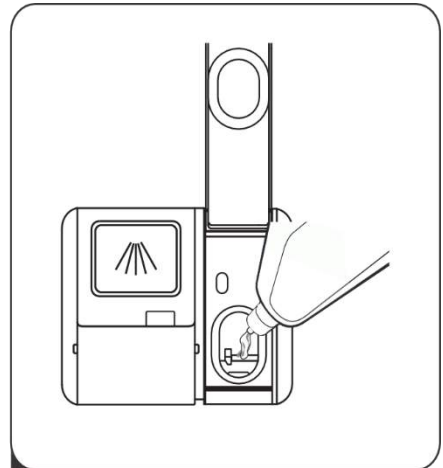
Filling The Rinse Aid Dispenser



- 1 Remove the rinse aid dispenser's cap by lifting up the handle.



- 3 Close the cap after filling



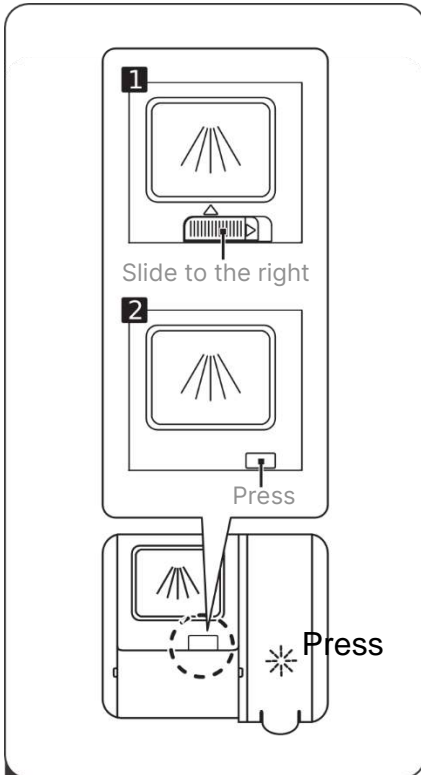
- 2 Pour the rinse aid into the dispenser, be careful not to overfill.

Adjusting The Rinse Aid Dispenser

To achieve a better drying performance with limited rinse aid, the dishwasher is designed to adjust the consumption by user. Follow the below steps.

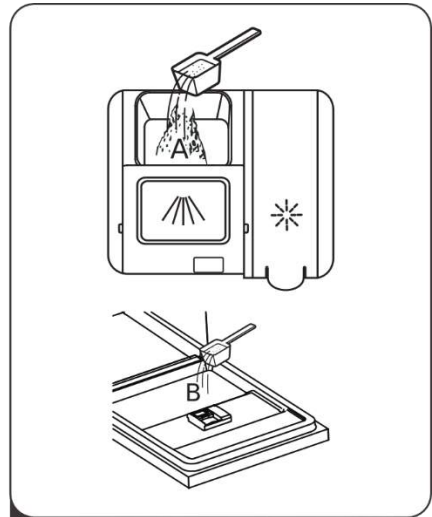
1. Turn on the appliance.
2. Within 60 seconds after step 1, press the Start/Pause button more than 5 seconds, and then press the Delay button to enter the set model, the rinse aid indicator will blink in 1 Hz frequency.
3. Press the Start/Pause button to select the proper set based on your habit of usage, the sets will change in the following sequence: D1->D2->D3->D4->D5->D1. The higher the number, the more rinse aid the dishwasher uses.
4. If there is no further operation within 5 seconds or you press the power button to exit the set model, the set is success and will be used.

Filling The Detergent

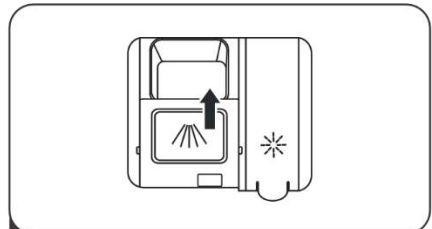


1 Choose the way to open the cap based on the actual design of the appliance.

1. Open the cap by sliding the release catch.
2. Open the cap by pressing down the release catch.



2 Add detergent into the larger cavity (A) for the main wash cycle. For better result, especially if you have dirty items, pour a small amount of detergent to the smaller cavity (B). This additional detergent will be used during the pre-wash phase.



3 Close the flap by sliding it to the front and then pressing it down.

NOTE:


- Be aware that depending on the softness of water, the setting might be different.
- Please observe the manufacturer's recommendations on the detergent.




Dishwasher Programs of WP 7121 S

Wash Cycle Table

The table below shows which programs are best for the levels of soils and food particles on them and how much detergent is needed. It also shows various information about the programs.

(●) Means: need to fill the rinse aid to the Rinse-Aid Dispenser.

Program	Description of Cycle	Detergent Pre/Main	Time (min)	Energy (kWh)	Water (L)	Rinse aid
AUTO  Auto	Pre-wash (45°C) Auto wash (45-55°C) Rinse Rinse (65°C) Drying	5/30g 1 or 2 pieces	150	0.9-1.3	11-15	●

 Intensive	Pre-wash (50°C) Wash (60°C) Rinse Rinse Rinse (70°C) Drying	5/30g 1 or 2 pieces	175	1.6	17.5	●
 Normal	Pre-wash (45°C) Wash (55°C) Rinse Rinse Rinse (65°C) Drying	5/30g 1 or 2 pieces	185	1.3	13.5	●
ECO *EN50242	Pre-wash Wash (45°C) Rinse (65°C) Drying	5/30g 1 or 2 pieces	210	0.93	10	●
 Glass	Pre-wash Wash (40°C) Rinse Rinse (60°C) Drying	5/30g 1 piece	130	0.9	13	●

 90 min	Wash (65°C) Rinse Rinse (65°C) Drying	35g 1 piece	90	1.35	12.5	●
 Rapid	Wash (45°C) Rinse (50°C) Rinse (55°C)	25g	30	0.75	11	○
 Soak	Pre-wash		15	0.02	4	○

NOTE:

EN 50242: This program is the test cycle. The information for comparability test in accordance with EN 50242, are as follows: The power consumption when turned off is 0.49W, and on standby mode is 0.49W

Turning On the Appliance

Starting a wash cycle:

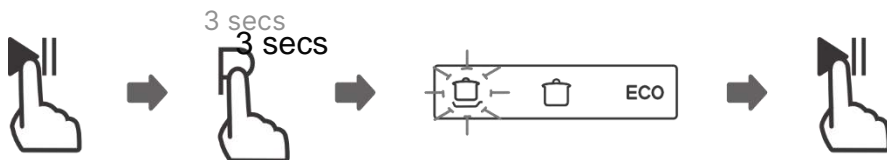
1. Draw out the lower and upper basket, load the dishes and push them back. It is recommended to load the lower basket first, then the upper one.
2. Pour in the detergent.
3. Insert the plug into the socket. Make sure that the water supply is turned on to full pressure.
4. Close the door and press the Power button to turn on the machine.

5. Choose a program and then the selected program's light will turn on. Then press the Start/Pause button, and the dishwasher will start its cycle.

Changing The Program

A wash cycle can only be changed if it has been running for a short time. Otherwise, the detergent may have been released and the dishwasher has drained the rinse water. If this is the case, the dishwasher needs to be restarted and the detergent dispenser must be refilled. To restart the dishwasher, follow the instructions below:

1. Press Start/Pause Button to pause the machine when the door is closed,
2. Press Program Button more than 3 seconds to cancel the program.
3. Press the Program button to select the desired program
4. Press Start/Pause button, after 10 seconds, the dishwasher will start

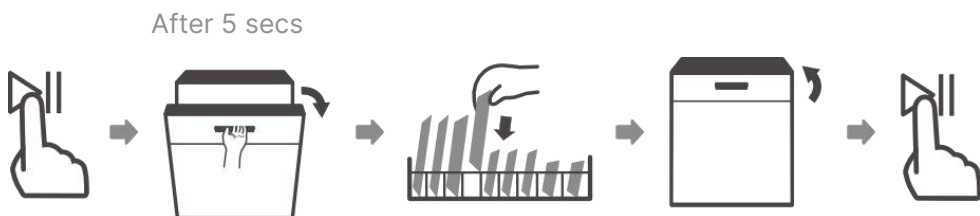


Adding Dish

A forgotten dish can be added any time before the detergent dispenser opens. If this is the case, follow the instructions below:

1. Press the Start/Pause button to pause the washing process
2. Wait for 5 seconds then open the door
3. Add forgotten dishes.
4. Close the door.

5. Press the Start/Pause button, after 10 seconds the dishwasher will run again.



WARNING:

It is dangerous to open the door when the washing process runs, because the hot water may give you burns.

Instructions for WP 7134 WVM

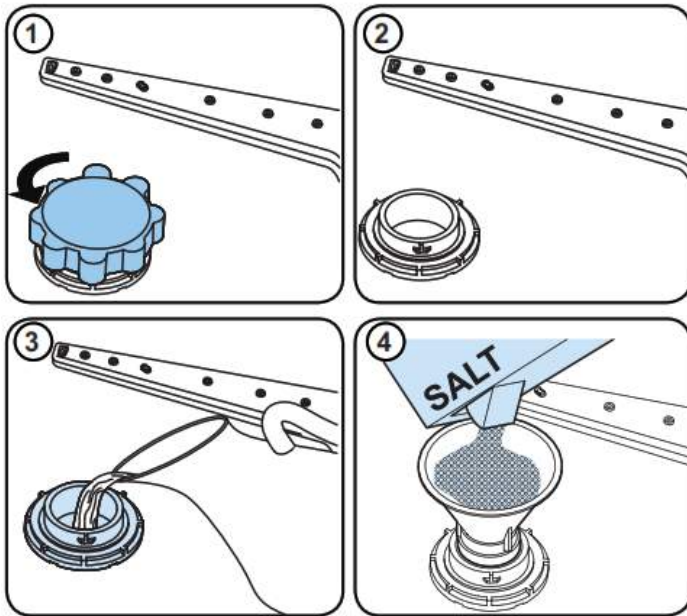
Filling the Salt Container

For a good washing function, the dishwasher needs soft, i.e. less calcareous water. Otherwise, White lime residues will remain on the dishes and the interior equipment. This will negatively affect your

machine's washing, drying, and shining performance. When water flows through the softener system, the ions forming the hardness are removed from the water and the water reaches the softness required to obtain the best washing result. Depending on the level of hardness of the inflowing water, these ions that harden the water accumulate rapidly inside the softener system. Therefore, the softener system has to be refreshed so that it operates with the same performance also during the next wash. For this purpose, dishwasher salt is used. Machine can only be used by special dishwasher salt to soften the water. Do not use any small grained or powdered type of salts which

can easily soluble. Using any other type of salt can damage your machine.

To add softener salt, open the salt compartment cap by turning it counterclockwise. (1) (2) At first use, fill the compartment with 1 kg salt and water (3) until it is almost overflowing. If available, using a funnel (4) will make filling easier. Replace the cap and close it. After every 20-30 Cycles add salt into your mach until it fills up (approx. 1 kg).



NOTE:

Use softener salt specifically produced for use in dishwashers. When you start your dishwasher, the salt compartment is filled with water, therefore put the softener salt in prior to starting your machine. If the softener salt has overflowed and you do not start the machine immediately, run a short washing program to protect your machine against corrosion.

Water Softener System

The dishwasher is equipped with a water softener which reduces the hardness in the mains water supply. To find out the hardness level of your tap water, contact your water company or use the test strip (if available). To set the system, please follow these steps:

- Push the program button and hold it down.
- Turn on the machine.
- Hold down the program button until “SL” disappears from the display
- The machine will display the last setting.
- Set the level by pushing the “+” and “-” buttons.
- Switch off the machine to save the setting.

Water Hardness Table

Level	German dH	French dH	British dH	Indicator
1	0-5	0-9	0-6	L1 is shown on the display
2	6-11	10-20	7-14	L2 is shown on the display
3	12-17	21-30	15-21	L3 is shown on the display
4	18-22	31-40	22-28	L4 is shown on the display
5	23-31	41-55	29-39	L5 is shown on the display
6	32-50	56-90	40-63	L6 is shown on the display

NOTE:

The factory hardness level setting is “3”. If the water is well water or has a hardness level above 90 dH, we recommend that you use filter or refinement devices

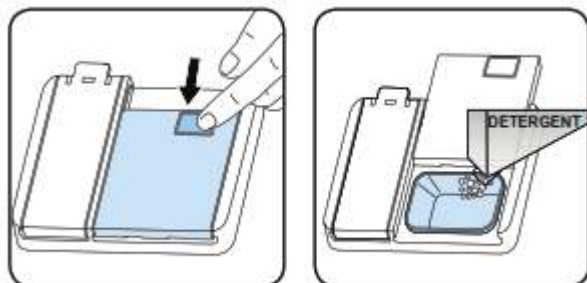
Detergent Use

Only use detergents specifically designed for domestic dishwashers. Keep your detergents in cool, dry places out of reach of children. Add the proper detergent for the selected program to ensure the best performance. The amount of detergent needed depends on the cycle, load size, and soil level of dishes. Do not fill detergent into the detergent compartment more than required; otherwise you can see whitish streaks or bluish layers on glass and dishes and may cause glass corrosion.

Continued use of too much detergent may cause machine damage. Using little detergent can result in poor cleaning and you can see whitish mark hard water. See the detergent manufacturer's instructions for a further information.

Filling the Detergent

Push the latch to open the dispenser and pour in the detergent. Close the lid and press it until it locks in place. The dispenser should be refilled just before the start of each program. If the dishes are heavily soiled, place additional detergent in the pre-wash detergent chamber.



Using Combined Detergent

These products should be used according to the manufacturer's instructions. Never put combined detergents into the interior section or the cutlery basket. Combined detergents contain not only the detergent but also rinse-aid, salt replacement substances and additional components depending on the combination. We recommend you do not use combined detergents in short programs. Please use powder detergents in such program. If you encounter problems when using combined detergents, please contact the detergent manufacturer. When you stop using combined detergents, make sure that water hardness and rinse aid settings are set to the correct level.

Rinse Aid Usage

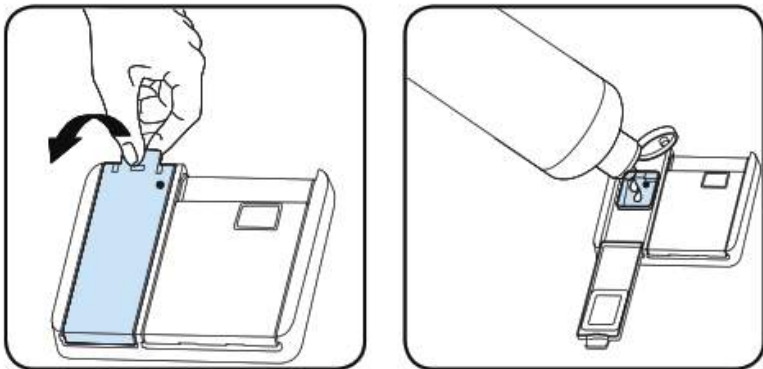
The rinse aid helps to dry the dishes without streaks and stains. Rinse-aid is required for stain-free utensils and clear glasses. The rinse aid is automatically released during the hot rinse phase. If rinse aid dosage setting set too low, whitish stains remains on dishes and dishes do not dry and washed clean. If rinse aid dosage setting set too high, you can see bluish layers on glass and dishes.

Filling the Rinse Aid and Settings

To fill the rinse aid compartment, open the rinse-aid compartment cap. Fill the compartment with rinse aid to the MAX level and then close the cap. Be careful not to overfill the rinse aid compartment and wipe up any spills. In order to change the rinse aid level, please follow these steps:

- Push the programme button and hold it down.
- Turn on the machine.
- Hold down the programme button until “rA” disappears from the display. Rinse aid setting follows water hardness setting.
- Set the level by pushing the “+” and “-” buttons.
- Switch off the machine to save the setting.

The factory setting is “4”. If the dishes are not drying properly or are spotted, increase the level. If blue stains form on your dishes, decrease level.



Level	Brightener Dose	Indicator
1	Rinse aid not dispensed	r1 is shown on the display
2	1 dose is dispensed	r2 is shown on the display
3	2 doses are dispensed	r3 is shown on the display
4	3 doses are dispensed	r4 is shown on the display
5	4 doses are dispensed	r5 is shown on the display

Loading the Dishwasher

For best results, follow these loading guidelines. Loading the household dishwasher up to the capacity indicated by the manufacturer will contribute to energy and water savings.

Manual pre-rinsing of tableware items leads to increased water and energy consumption and is not recommended. You can place cups, glasses, stemware, small plates, bowls, etc. in upper basket. Do not lean long glasses against one another or they cannot remain steady and may receive damage. When placing long stem glasses and goblets, lean them against the basket edge or rack and not against other items.

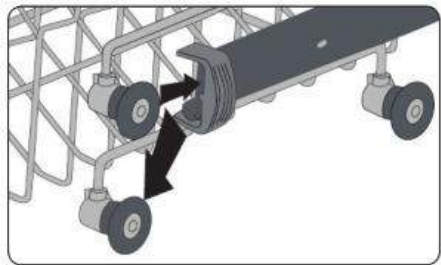
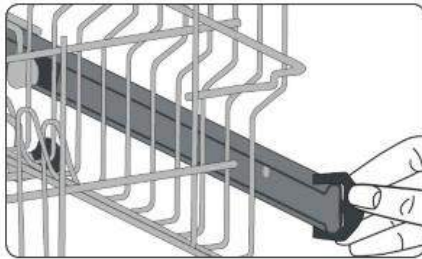
Place all containers such as cups, glasses, and pots into the dishwasher with the opening facing downwards otherwise water can collect on items.

If there is cutlery basket in machine, you are recommended to use the cutlery grid in order to obtain the best result. Place all large (pots, pans, lids, plates, bowls etc.) and very dirty items in the lower rack.

Dishes and cutlery should not be placed above each other.

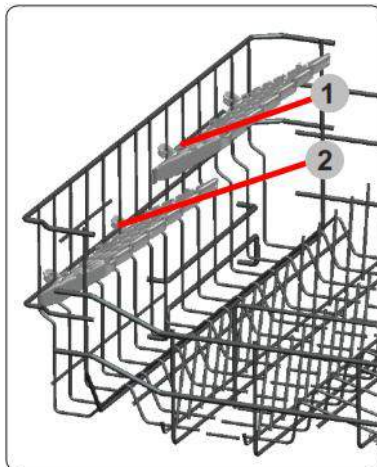
Upper Basket Height Adjustment

Turn the Rail Stop Clips, at the ends of the rails, to the sides to open them (as shown in the image below), then pull out and remove the basket. Change the position of the wheels, then reinstall the basket to the rail, making sure to close the Rail Stop Clips. When the upper basket is in the higher position, large items such as pans can be placed on the lower basket.



Height Adjustable Rack (peg type)

The height adjustable racks enable glasses and cups to be placed on or under the racks. The racks can be adjusted to 2 different heights. Cutlery and utensils can also be placed on the racks horizontally.

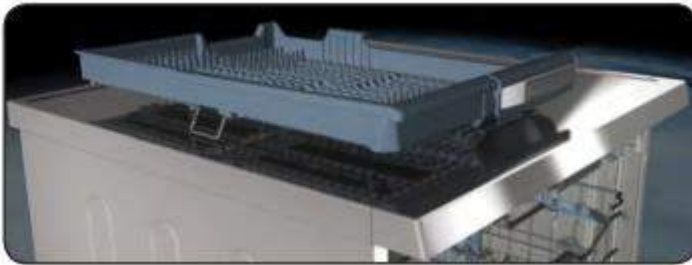


Upper Cutlery Basket

The upper cutlery basket is designed for the placement of large and small cutlery and utensils.



The basket is easily removed from the dishwasher, therefore allows ease of use when removing your items, along with the basket, after washing.



The upper cutlery basket is composed of two pieces that can be separately removed. Remove the left or right section of the cutlery basket in order to obtain more space for items in the upper basket.



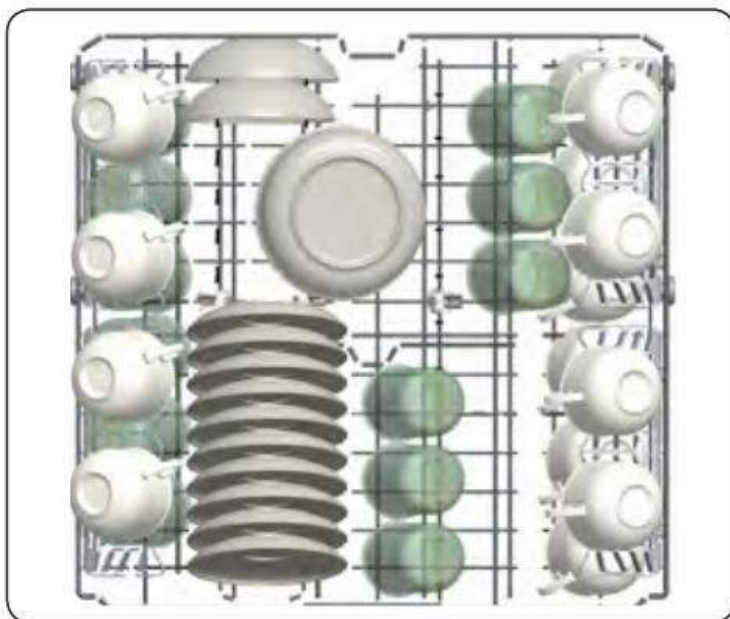
WARNING:

Knives and other sharp objects should be placed horizontally in the cutlery basket

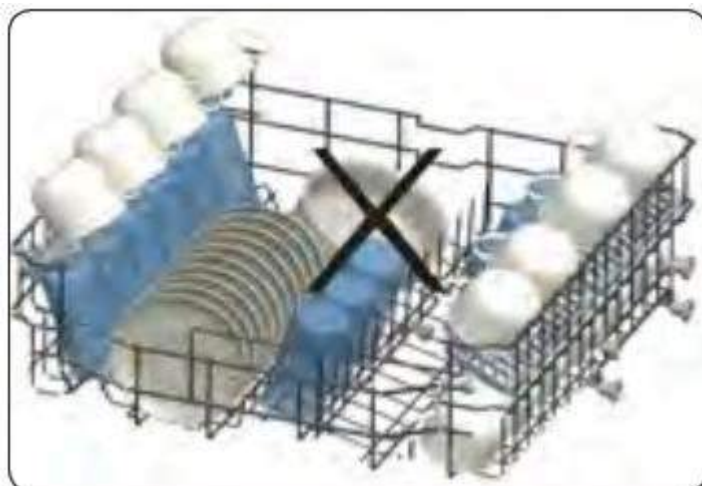
Loads Lower Basket

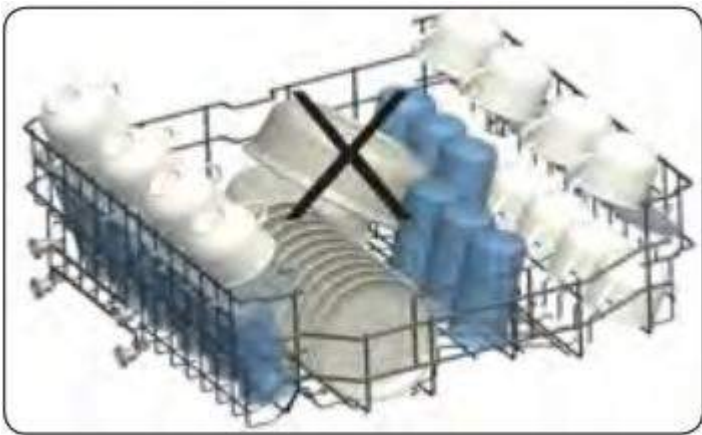
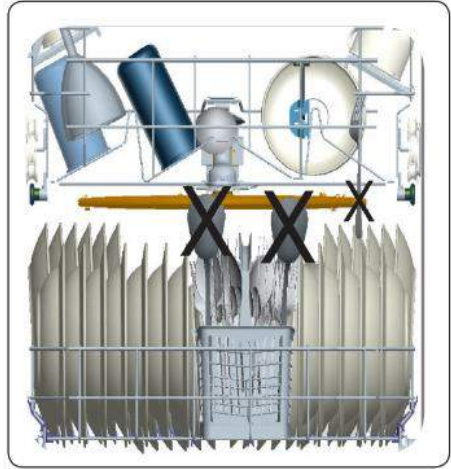
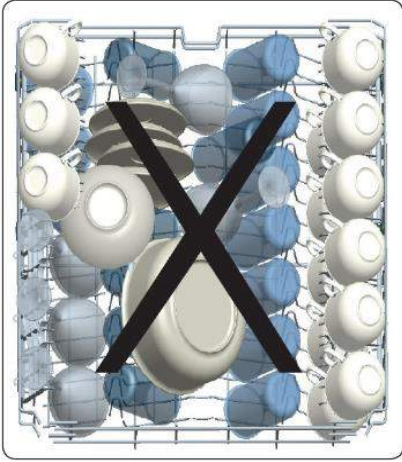


Loads Top Basket



Incorrect Loads





Dishwasher Programs of WP 7134 WVM

Program	Duration (min)	Description
Prewash	15	To rinse dishes that you plan to wash later
Quick	30	For lightly soiled dishes and a quick wash
Delicate	77	For lightly soiled, delicate dishes
Eco (Reference)	221	Standard program for normally soiled, daily used dishes
Super 50'	50	For normally soiled, daily used dishes with a faster program.
Intensive (Model Depending)	120	For heavily soiled dishes
Auto (Model Depending)	120-88	Automatic program for heavily soiled dishes.

PART 5: MAINTENANCE

External Maintenance of WP 7121 S

Door and Seal

Clean the door and the seals regularly with a soft damp cloth to remove food stains. When the dishwasher is being loaded, food and drink food particles may drip onto the sides of the dishwasher door. These surfaces are outside the washing area and not accessed by water from the spray arms. Any stains should be wiped off before the door is closed.

Control Panel

If the cleaning is required, the control panel should be wiped only with a soft damp cloth.

WARNING:

- To avoid penetration of water into the door lock and electrical components, do not use spray cleaner.
- Never use abrasive cleaners or scouring pads on the outer surface because they may scratch the surface. Some paper towels may also scratch or leave marks on the surface.

Internal Maintenance of WP 7121 S

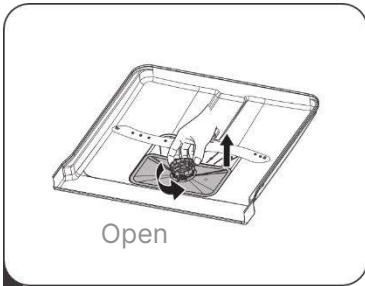
Filter System

The filtering system in the base of the lower cabinet filters the large food particles from the washing cycle. The collected food particles may cause the filters to clog. Check the condition of the filters regularly and clean them, if necessary, under running water. Follow the steps next page to clean the filters in the wash cabinet. Larger

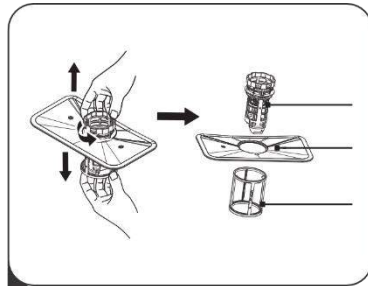
food particles can be cleaned by rinsing the filter under running water. For a more thorough clean, use a soft cleaning brush.

NOTE:

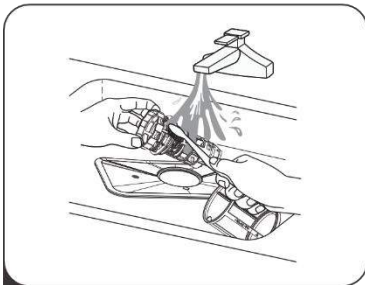
Pictures are only for reference; the models of the filtering system and spray arms may be different.



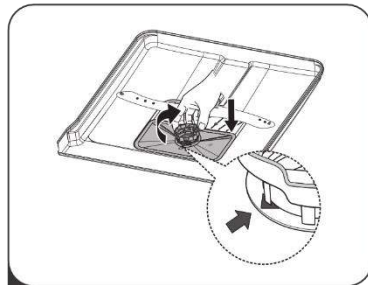
1 Hold the coarse filter and rotate it counter clockwise to unlock the filter. Lift the filter upwards and out of the dishwasher.



2 The fine filter can be pulled off from the bottom. The coarse filter can be detached from the main filter by gently squeezing the tabs at the top and pulling it away.



3 Larger food particles can be cleaned by rinsing the filter under running water. For a more thorough clean, use a soft cleaning brush.



4 Reassemble the filters in the reverse order of the disassembly, insert the filter to reinstall, and rotate it clockwise until the arrow is pointing to "close".

WARNING:

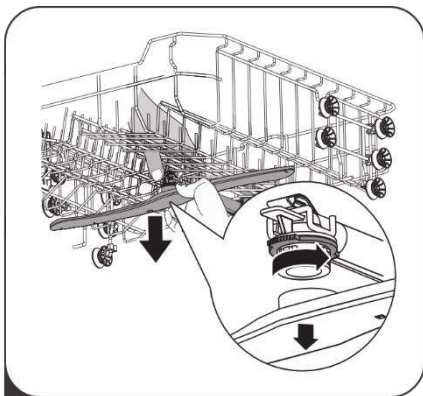
- Do not over tighten the filters. Put the filters properly, otherwise food particles could get into the system and cause a blockage.
- Never use the dishwasher without filters. Improper placement of the filter may reduce the performance level of the appliance and damage dishes and utensils.

WARNING:

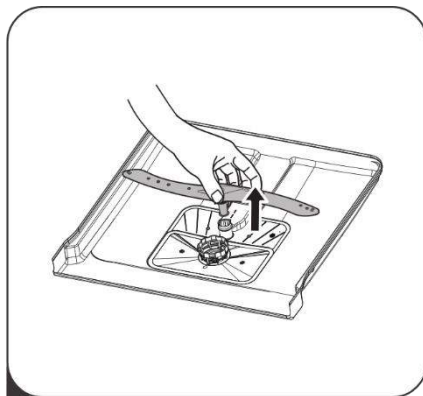
When cleaning the filters, don't knock on them. Otherwise, the filters could be contorted, and the performance of dishwasher could be decreased.

Spray Arms

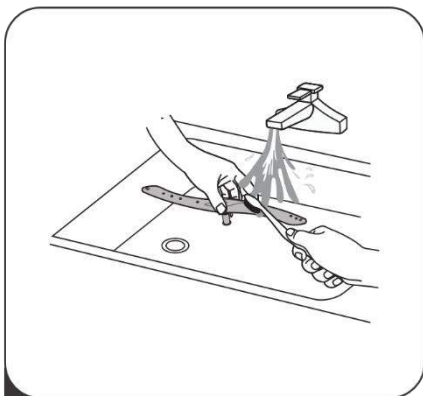
It is necessary to clean the spray arm regularly because water with hard chemicals composition will clog the spray arm jets and bearings. To clean the spray arm, follow the instructions below:



- 1 To remove the middle spray arm, hold the nut in the centre and rotate the spray arm counter clockwise to remove it.



- 2 To remove the lower spray arm, pull out the spray arm upward.



- 3 Wash the arms with warm soapy water and use a soft brush to clean the jets. Reinstall them after rinsing them thoroughly.

External Maintenance of WP 7134 WVM

Door and Seal

Clean the door and the seals regularly with a soft damp cloth to remove food stains. When the dishwasher is being loaded, food and drink food particles may drip onto the sides of the dishwasher door. These surfaces are outside the washing area and not accessed by water from the spray arms. Any stains should be wiped off before the door is closed.

Control Panel

If the cleaning is required, the control panel should be wiped only with a soft damp cloth.

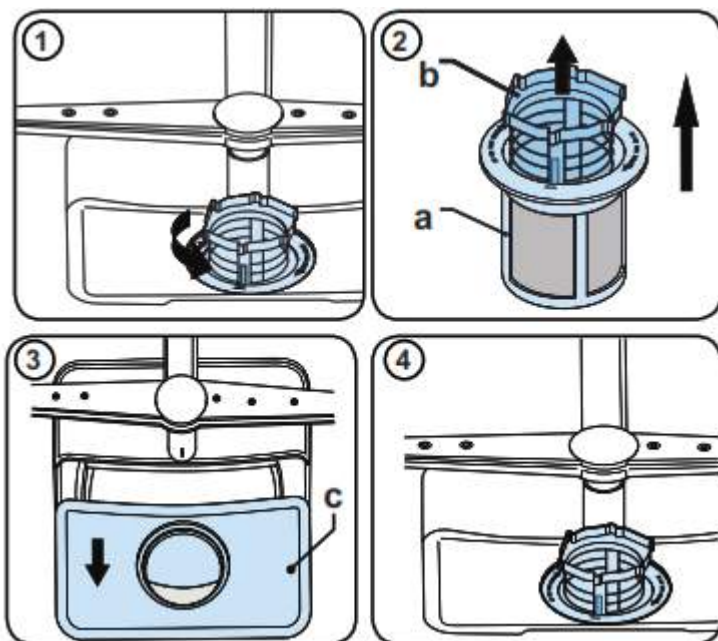
WARNING:

- To avoid penetration of water into the door lock and electrical components, do not use spray cleaner.
- Never use abrasive cleaners or scouring pads on the outer surface because they may scratch the surface. Some paper towels may also scratch or leave marks on the surface.

Internal Maintenance of WP 7134 WVM

Filter System

Clean the filters and spray arms at least once a week. If any food waste remains or foreign objects on the coarse and fine filters, remove them and clean them thoroughly with water.



a). Micro Filter

b). Coarse Filter

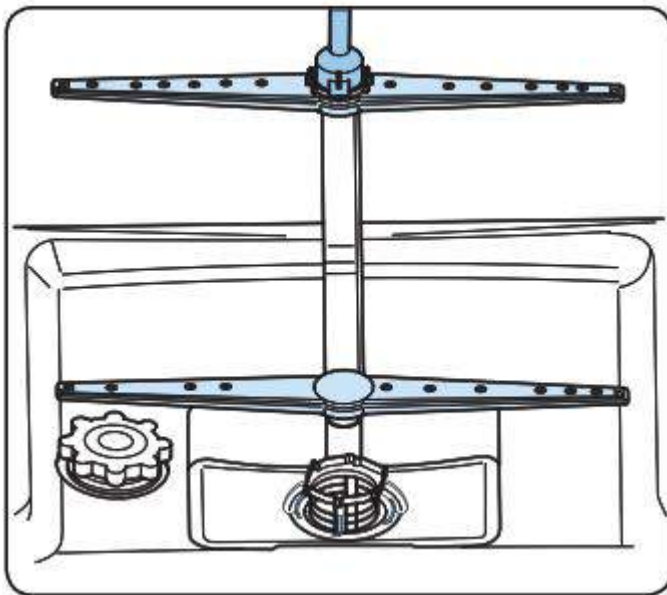
c). Metal Filter

To remove and clean the filter combination, turn it counterclockwise and remove it by lifting it upwards (1). Pull the coarse filter out of the micro filter (2). Then pull and remove the metal filter (3). Rinse the filter with lots of water until it is free of residue. Reassemble the filters. Replace the filter insert and rotate it clockwise (4).

- Never use your dishwasher without a filter
- Incorrect fitting of the filter will reduce the washing quality
- Clean filters are necessary for proper running of the machine

Spray Arms

Make sure that the spray holes are not clogged and that no food waste or foreign object is stuck to the spray arms. If there is any clogging, remove the spray arms and clean them under water. To remove the upper spray arm, undo the nut holding it in position by turning it clockwise and pulling it downwards. Make sure that the nut is properly tightened when refitting the upper spray arm.



Drain Pump

Large food residues or foreign objects which were not captured by the filters may block the wastewater pump. The rinsing water will then be above the filter.

WARNING:

When cleaning the waste water pump, ensure that you do not injure yourself on pieces of broken glass or pointed implements.

To do so, please make sure:

1. First always disconnect the appliance from the power supply.
2. Take out baskets.
3. Remove the filters.
4. Scoop out water, use a sponge if required.
5. Check the area and remove any foreign objects.
6. Install filters.
7. Re-insert baskets.

PART 6: POINTS OF ATTENTION

How to Keep Your Appliance in Shape

After Every Wash

After every usage, turn off the water supply to the appliance and leave the door slightly open so that moisture and odors are not trapped inside.

Remove The Plug

Before cleaning or performing maintenance, always remove the plug from the socket.

No Solvents or Abrasive Cleaning

To clean the exterior and rubber parts of the dishwasher, do not use solvents or abrasive cleaning products. Only use a cloth with warm soapy water.

To remove spots or stains from the surface of the interior, use a cloth dampened with water and a little vinegar, or a cleaning product made specifically for dishwashers.

When Not in Use for A Longtime

It is recommended that you run a wash cycle with empty load and then remove the plug from the socket, leave the door of the appliance open. This will help the door seals to last longer and prevent odors from forming within the appliance.

Moving The Appliance

If the appliance must be moved, try to keep it in a vertical position. If necessary, it can be positioned on its back.

Disposal Of Your Old Appliance



The symbol on the product or on its packaging indicates that this product should not be treated as household waste. Instead, it should be handed over to the applicable collection point for recycling the electronic equipment. By ensuring this product is disposed correctly, you will help to prevent potential negative consequences for the environment and human health, which could be caused by inappropriate waste handling of this product. For more detailed information about recycling of this product, please contact your local city office, your household waste disposal service, or the shop where you purchased the product.

PART 7: TROUBLESHOOTING

WP 7121 S

Please review the chart below before contacting the call center:

Problem	Possible Causes	Recommended Action
Dishwasher doesn't start	Fuse blown, or the circuit breaker tripped.	Replace fuse or reset the circuit breaker. Remove any other appliances sharing the same circuit with the dishwasher.
	Power supply is not turned on.	Make sure the dishwasher is turned on and the door is closed securely. Make sure the power cord is properly plugged into the wall socket.
	Error code: E1; Water pressure is low	Check that the water supply is connected properly, and the water is turned on.
	Door of dishwasher not properly closed.	Make sure to close the door properly and latch it.
Water not pumped from dishwasher	Twisted or trapped drain hose.	Check the drain hose.
	Filter clogged	Check the coarse filter
	Kitchen sink clogged	Check the kitchen sink to make sure it is draining well. If the problem is the kitchen sink that is not draining, you may need a plumber rather than a serviceman for dishwashers.

Problem	Possible Causes	Recommended Action
Suds in the tub	Wrong detergent	Use only the dedicated dishwasher detergent to avoid suds. If suds exist in the washer. Open the door for 20-30 minutes to allow the foam to evaporate. If the foam still exists in the liner. Add 1.5L of water to the liner, close the dishwasher door and run a forced drain to drain it with the water. Repeat above operation until the foam is cleared.
Stained tub interior	Detergent with colorant may have been used	Make sure that the detergent has no colorant
White film on inside surface	Hard water minerals	To clean the interior, use a damp sponge with dishwasher detergent and wear rubber gloves. Never use any other cleaner than dishwasher detergent. Otherwise, it may cause foaming or suds
There are rust stains on cutlery	The affected items are not corrosion resistant.	Avoid washing items that are not corrosion resistant in the dishwasher
	A program was not run after dishwasher salt was added. Traces of salt have gotten into the wash cycle	Always run a wash program without any tableware after adding salt.
	The cap of the salt container is loose.	Check whether the salt container is properly closed.

Problem	Possible Causes	Recommended Action
Knocking noise in the dishwasher	A spray arm is knocking against an item in a basket	Interrupt the program and rearrange the items which are obstructing the spray arm.
Rattling noise in the dishwasher	Items of tableware are loose in the dishwasher.	Interrupt the program and rearrange the items of tableware
Knocking noise in the water pipes	This may be caused by on-site installation or the cross-section of the piping.	This has no influence on the dishwasher function. If you are in doubt, contact a qualified plumber.
The dishes are not clean	The dishes were not loaded correctly.	See notes in "Loading & unloading your dishwasher".
	The program was not powerful enough.	Select a more intensive program
	Not enough detergent was dispensed	Use more detergent or change your detergent.
	Items are blocking the movement of the spray arms	Rearrange the items so that the spray can rotate freely.
	The filter combination is not clean or is not correctly fitted in the base of wash cabinet. This may cause the spray arm jets to get blocked.	Clean and/or fit the filter correctly. Clean the spray arm jets.
Glassware look muddy	Combination of soft water and too much detergent	Use less detergent if you have soft water and select a shorter cycle to wash the glassware and to get them clean.
White spots appear on dishes and glasses.	Hard water can cause white spots.	Add more detergent.

Problem	Possible Causes	Recommended Action
Black or gray marks on dishes	Aluminum cutlery rubbed against dishes	Use a mild abrasive cleaner to eliminate those marks.
The dishes are not dry	Improper loading	Load the dishwasher as suggested in the directions.
	Dishes are removed too soon	Do not empty your dishwasher immediately after washing. Open the door slightly so that the steam can come out. Take out the dishes until the inside temperature is safe to touch. Unload the lower basket first to prevent the dropping water from the upper basket.
	Wrong program has been selected.	With a short program, the washing temperature is lower, decreasing cleaning performance. Choose a more intense program with longer washing time.
	Cutlery with a low-quality coating	Water drainage is more difficult with these items. Cutlery or dishes of this type are not suitable to be washed in the dishwasher.

Error Codes

When malfunction occurs, the appliance will show error codes to warn you:

Codes	Meaning	Possible Causes
E1	Longer inlet time	Faucets is not opened, or water intake is restricted, or water pressure is too low.
E4	Overflow	Some elements of dishwasher leaks
E8	Failure of orientation of distribution valve.	Open circuit or the distribution valve is broken

WARNING:

- If overflow occurs, turn off the main water supply before calling a service.
- If there is water in the base pan because of overfill or small leak, the water should be removed before restarting the dishwasher.

WP 7134 WVM

Please review the chart below before contacting the call center:

Problem	Possible Causes	Recommended Action
Program doesn't start	Dishwasher is not plugged in	Plug your dishwasher in
	Dishwasher is not switched on	Switch your Dishwasher on by pressing the On/Off button.
	Fuse blown	Check your indoor fuses.
	Water inlet tap is closed	Turn on the water inlet tap.
	Dishwasher door is open	Close the Dishwasher door.
	Water inlet hose or filters are clogged	Check the water inlet hose and machine filters and make sure they are not clogged.
Water remains inside the machine	Water drain hose is clogged or twisted	Check the drain hose, then either clean or untwist it.
	Filter clogged	Clean the filters
	The program is not finished yet.	Wait until the program is finished.
Machine stops during washing	Power failure	Check main power
	Water inlet failure	Check water tap
Shaking and hitting noises are heard during a wash operation.	The spray arm is hitting the dishes in the lower basket.	Move or remove items blocking the spray arm.

Problem	Possible Causes	Recommended Action
Partial food waste remain on the dishes	Dishes placed incorrectly, sprayed water not reaching affected dishes.	Do not overload basket
	Dishes leaning each other	Place dishes as instructed in the section on loading your dishwasher.
	Not enough detergent used	Place dishes as instructed in the section on loading your dishwasher.
	Wrong program selected	Use the information in the program table to select the most appropriate program.
	Spray arms clogged with food waste	Clean the holes in the spray arms with thin objects.
	Filters or water drain pump clogged or filter misplaced.	Check the drain hose and filters are correctly fitted.
Whitish stains remain on the dishes	Not enough detergent used.	Use the correct amount of detergent, as instructed in the program table.
	Rinse aid dosage and/or water softener setting set too low.	Increase rinse aid and/or water softener level.
	High water hardness level.	Increase water softener level and add salt.
	Salt compartment cap not closed properly.	Check that the salt compartment cap is closed properly.
Dishes do not dry	Drying option is not selected	Select a program with a drying option.

Problem	Possible Causes	Recommended Action
	Rinse aid dosage set too low.	Increase rinse aid dosage setting.
There are rust stains on the dishes	Stainless-steel quality of the dishes is insufficient	Use only dishwasher-proof sets.
	High level of salt in wash water.	Adjust the water hardness level using water hardness table.
	Salt compartment cap not closed properly.	Check that the salt compartment cap is closed properly.
	Too much salt spilled in the dishwasher while filling it with salt.	Use funnel while filling salt to the compartment to avoid spillage.
	A poor mains grounding	Consult a qualified electrician immediately.
Detergent remains in the detergent compartment.	Detergent was added when the detergent compartment was wet.	Make sure detergent compartment is dry before use.

Error Codes

When malfunction occurs, the appliance will show error codes to warn you:

Codes	Possible Cause	What to Do
F5	Insufficient water	Make sure the water inlet tap is open and water is flowing
		Separate the inlet hose from the tap and clean the filter of the hose.
		Contact for service if the error continues.
F3	Continuous water input	Close the tap and contact for service.
F2	Inability to discharge water	Water discharge hose and filters may be clogged.
		Cancel the program.
		If the error continues, contact for service.
F8	Heater error	Contact for service
F1	Overflow	Unplug the machine and close the tap.
		Contact for service.
FE	Faulty electronic card	Contact for service
F7	Overheating	Contact for service
F9	Divisor position error	Contact for service
F6	Faulty heater sensor	Contact for service

PART 8: SPECIFICATION

Model	WP 7121 S	WP 7134 WVM
Type	Freestanding	Freestanding
Place settings	14	13
Color	Stainless (S)	Pearl White
No. of programs	8	6
Spray arms	Lower, Middle, Upper	Lower, Middle, Upper
Water consumption (Liter)	10	9
Delay starts function (hours)	1 - 24	1 - 24
Control panel	Push button	Push Button
Noise level (dBA)	49	57
Power Input (Watt)	1760-2100	1900
Voltage (Volt)	220-240	220 - 240
Frequency (Hz)	50	50
Inlet water pressure (MPa)	0.04-1.0	0.03 – 1.0
Product dimension W x D x H (mm)	598×600×845	598x598x850
Product weight (kg)	42	39.1

